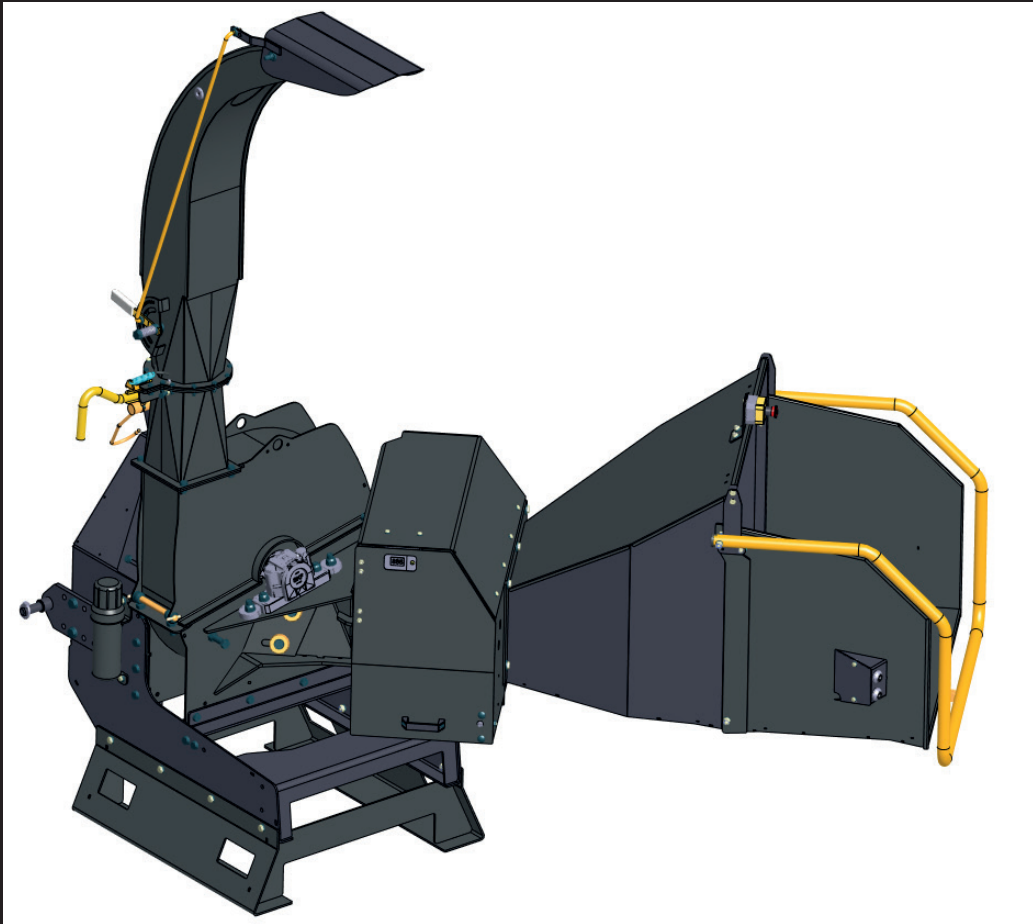


# Junkkari



**A GOOD WAY TO WORK HARD**

JUNKKARI **HJ172/252/262**

**HAKKURI**

**VARAOSAKIRJA**

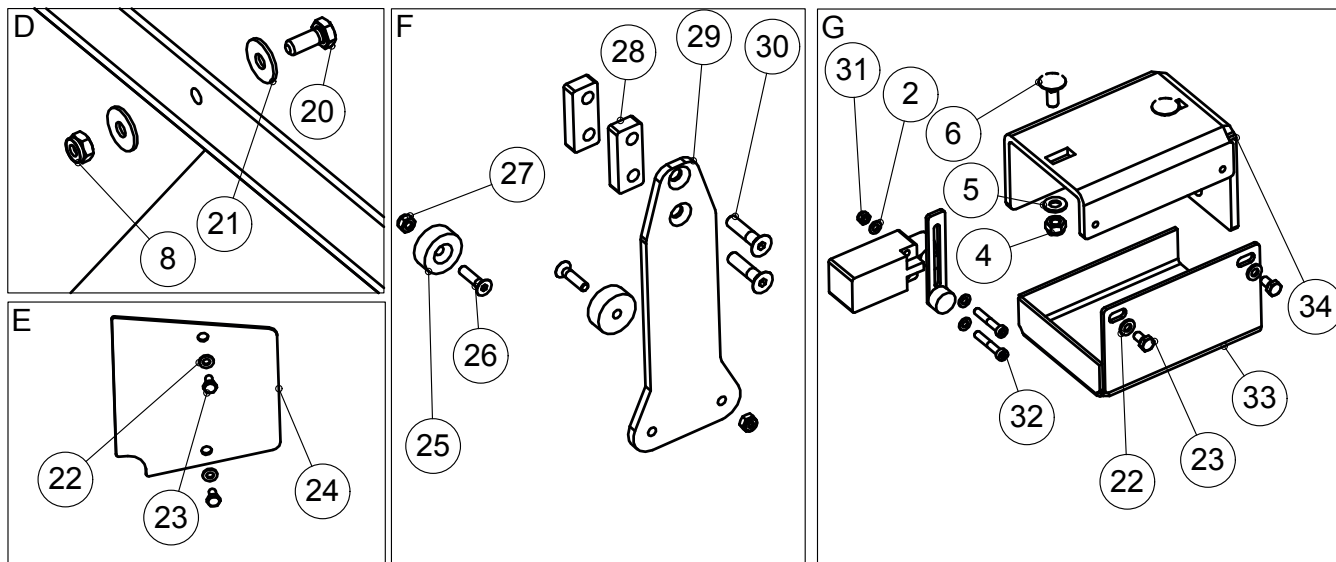
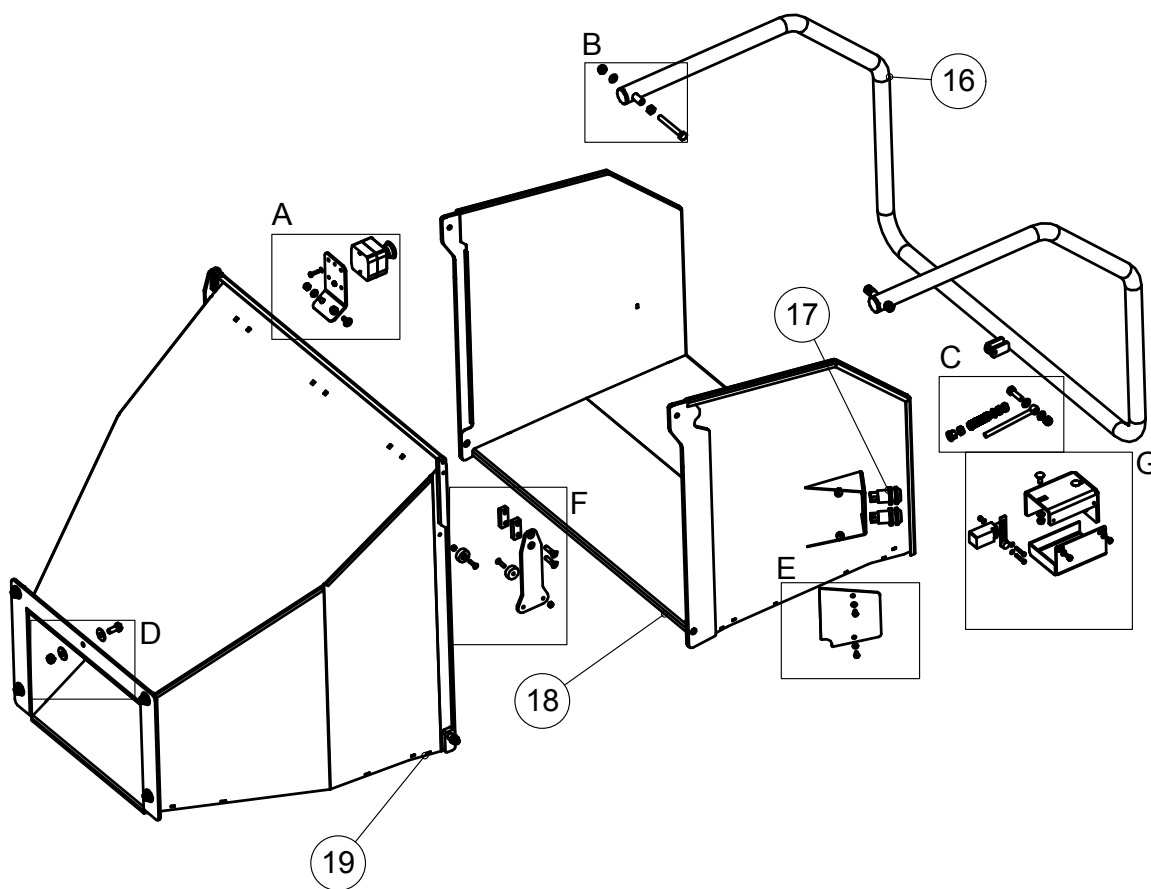
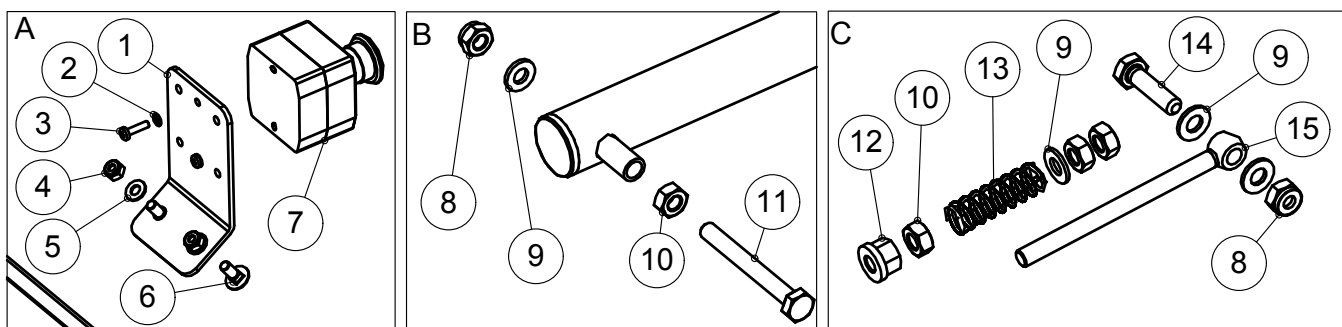
# SISÄLLYSLUETTELO

1. SYÖTTÖ SUPPILO
  - 1.1 HJ 172/ 252/ 262, G/ GT
  - 1.2 HJ 252/ 262, GTC
  
2. SYÖTTÖLAITE
  - 2.1 HJ 172/ 252, G/ GT/ GTC
  - 2.2 HJ 262, G/ GT/ GTC
  
3. TORVI
  - 3.1 HJ 172/ 252/ 262, G/ GT
  - 3.2 HJ 252/ 262, GTC
  
4. KAMMIO JA TERÄ
  - 4.1 HJ 172, G/ GT
  - 4.2 HJ 252, G/ GT/ GTC
  - 4.3 HJ 262, G/ GT/ GTC
  
5. RUNKO
  - 5.1 HJ 172/ 252/ 262, G/ GT/ GTC
  
6. HYDRAULIIKKA
  - 6.1 HJ 172/ 252/ 262, G
  - 6.2 HJ 252/ 262, GT/ GTC

# CONTENTS

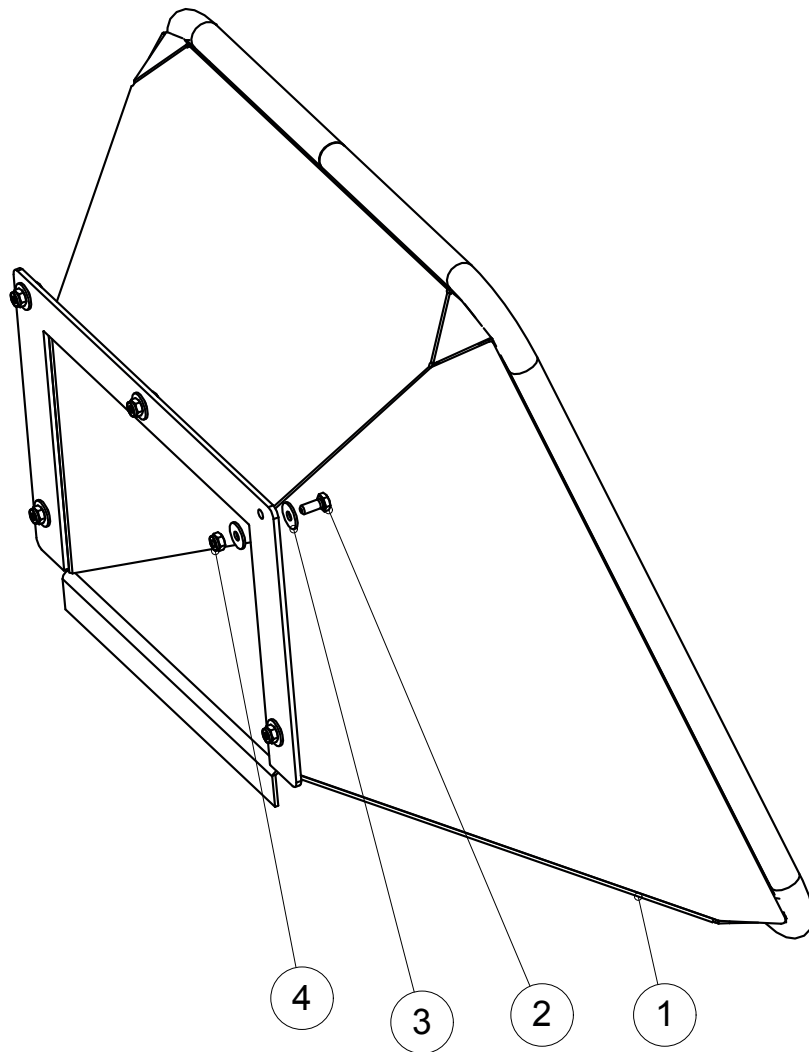
1. FEEDING FUNNEL
  - 1.1 HJ 172/ 252/ 262, G/ GT
  - 1.2 HJ 252/ 262, GTC
  
2. FEEDING DEVICE
  - 2.1 HJ 172/ 252, G/ GT/ GTC
  - 2.2 HJ 262, G/ GT/ GTC
  
3. FUNNEL
  - 3.1 HJ 172/ 252/ 262, G/ GT
  - 3.2 HJ 252/ 262, GTC
  
4. CHAMBER AND BLADE
  - 4.1 HJ 172, G/ GT
  - 4.2 HJ 252, G/ GT/ GTC
  - 4.3 HJ 262, G/ GT/ GTC
  
5. FRAME
  - 5.1 HJ 172/ 252/ 262, G/ GT/ GTC
  
6. HYDRAULICS
  - 6.1 HJ 172/ 252/ 262, G
  - 6.2 HJ 252/ 262, GT/ GTC

# 1.1 SYÖTTÖ SUPPILO / FEEDING FUNNEL HJ 172/ 252/ 262, G/ GT



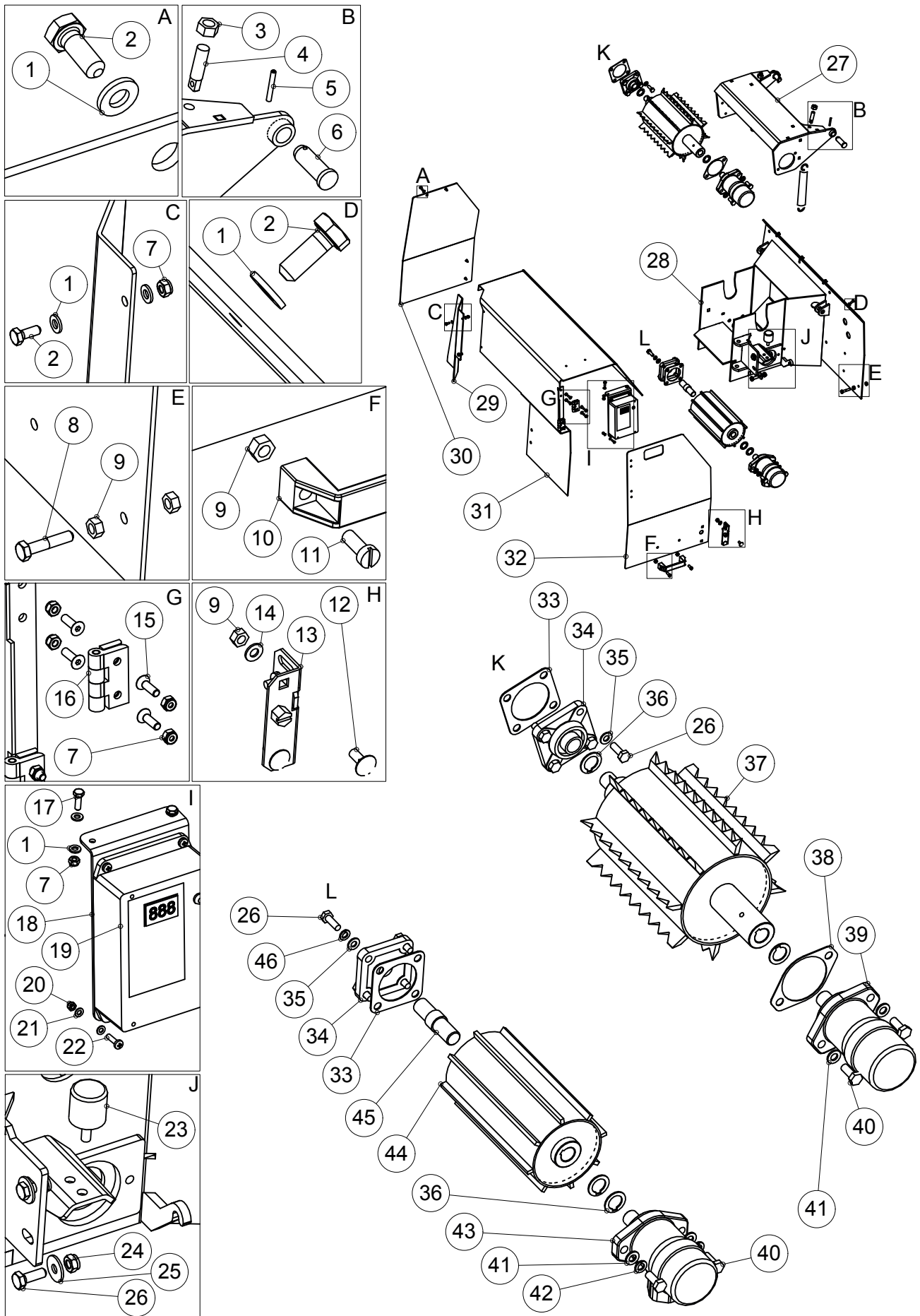
| OSA PART | KOODI CODE | NIMITYS        | DESCRIPTION       | KPL PCS |
|----------|------------|----------------|-------------------|---------|
| 1        | 42635      | KIINNIKE       | PLATE             | 1       |
| 2        | B550A1024  | ALUSLAATTA     | WASHER            | 6       |
| 3        | A01055     | URARUUVI       | SCREW             | 2       |
| 4        | AG8113014  | LUKKOMUTTERI   | NUT               | 4       |
| 5        | B580H1624  | ALUSLAATTA     | WASHER            | 4       |
| 6        | A05150     | LUKKORUUVI     | SCREW             | 4       |
| 7        | D40001736  | PYSÄYTYSAINI   | STOP BUTTON       | 1       |
| 8        | A51151     | LUKKOMUTTERI   | NUT               | 8       |
| 9        | B5A0MB024  | ALUSLAATTA     | WASHER            | 5       |
| 10       | AGA111014  | 6-MUTTERI      | NUT               | 5       |
| 11       | A0A301315  | 6-RUUVI        | SCREW             | 2       |
| 12       | 42797      | LAIPPAMUTTERI  | NUT               | 1       |
| 13       | D14121     | JOUSI          | SPRING            | 1       |
| 14       | A0A1A1524  | 6-RUUVI        | SCREW             | 1       |
| 15       | 42828      | SILMÄRUUVI     | SCREW             | 1       |
| 16       | 42773      | TURVA TANKO    | SAFETY BAR        | 1       |
| 17       | 42831      | NAPPULA        | BUTTON            | 4       |
| 18       | 42775      | SUPPILON JATKE | FUNNELS EXTENSION | 1       |
| 19       | 42780      | SUPPILO        | FUNNEL            | 1       |
| 20       | A0A0S1524  | 6-RUUVI        | SCREW             | 5       |
| 21       | B5A0V1524  | ALUSLEVY       | WASHER            | 5       |
| 22       | B560E1524  | ALUSLEVY       | WASHER            | 6       |
| 23       | A060C1024  | 6-RUUVI        | SCREW             | 6       |
| 24       | 42812      | SUOJA          | COVER             | 2       |
| 25       | 42742      | LIUKUPALA      | SLIDING PIECE     | 4       |
| 26       | A02656     | RUUVI          | SCREW             | 4       |
| 27       | AG6113014  | 6-MUTTERI      | NUT               | 4       |
| 28       | 42718      | TUKILATTA      | SUPPORT PIECE     | 4       |
| 29       | 42772      | TUKI OHJURI    | SUPPORT           | 2       |
| 30       | 42827      | UPPOKOLORUUVI  | SCREW             | 4       |
| 31       | AG5113014  | LUKKOMUTTERI   | NUT               | 2       |
| 32       | A01530     | 6-KOLORUUVI    | SCREW             | 2       |
| 33       | 42764      | SUOJA          | COVER             | 1       |
| 34       | 42761      | SUOJA          | COVER             | 1       |

1.2 SYÖTTÖ SUPPILO / FEEDING FUNNEL  
HJ 252/ 262, GTC



| OSA<br>PART | KOODI<br>CODE | NIMITYS                 | DESCRIPTION    | KPL<br>PCS |
|-------------|---------------|-------------------------|----------------|------------|
| 1           | 42765         | KUORMAIN SYÖTTÖ SUPPILO | FEEDING FUNNEL | 1          |
| 2           | A0A0S1524     | 6-RUUVI                 | SCREW          | 5          |
| 3           | B5A0V1524     | ALUSLEVY                | WASHER         | 10         |
| 4           | A51151        | 6-MUTTERI               | NUT            | 5          |

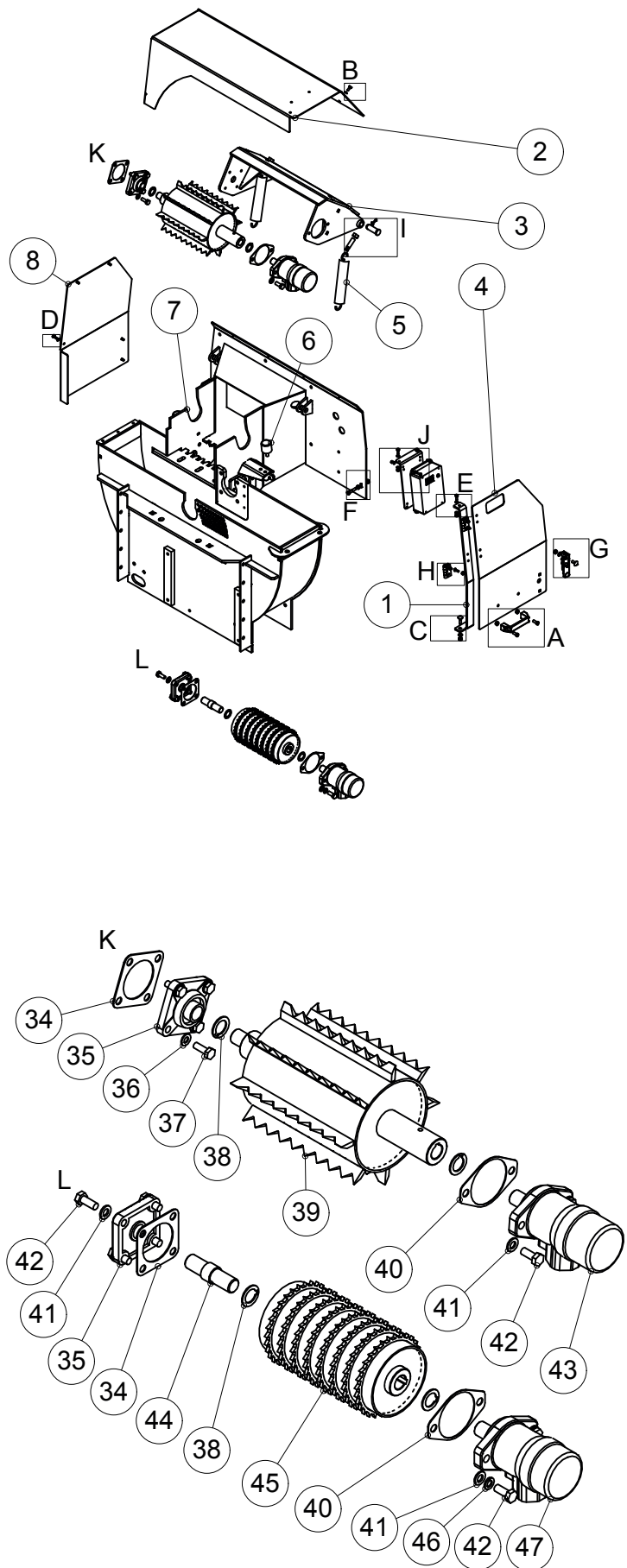
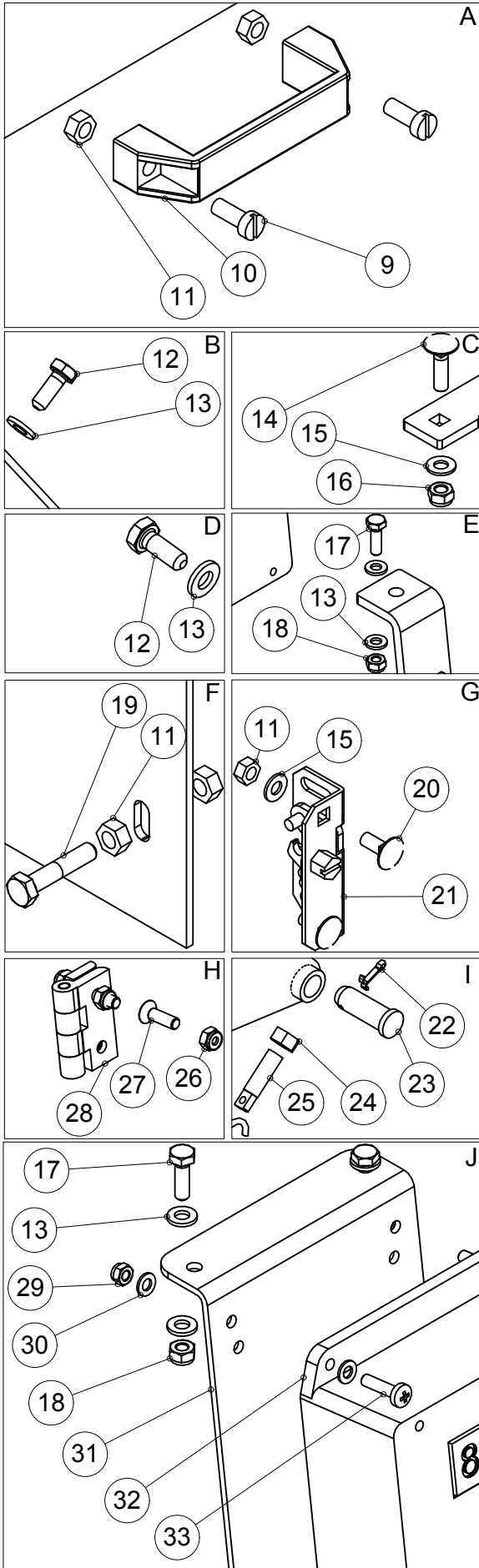
## 2.1 SYÖTTÖLAITE / FEEDING DEVICE HJ 172/ 252, G/ GT/ GTC





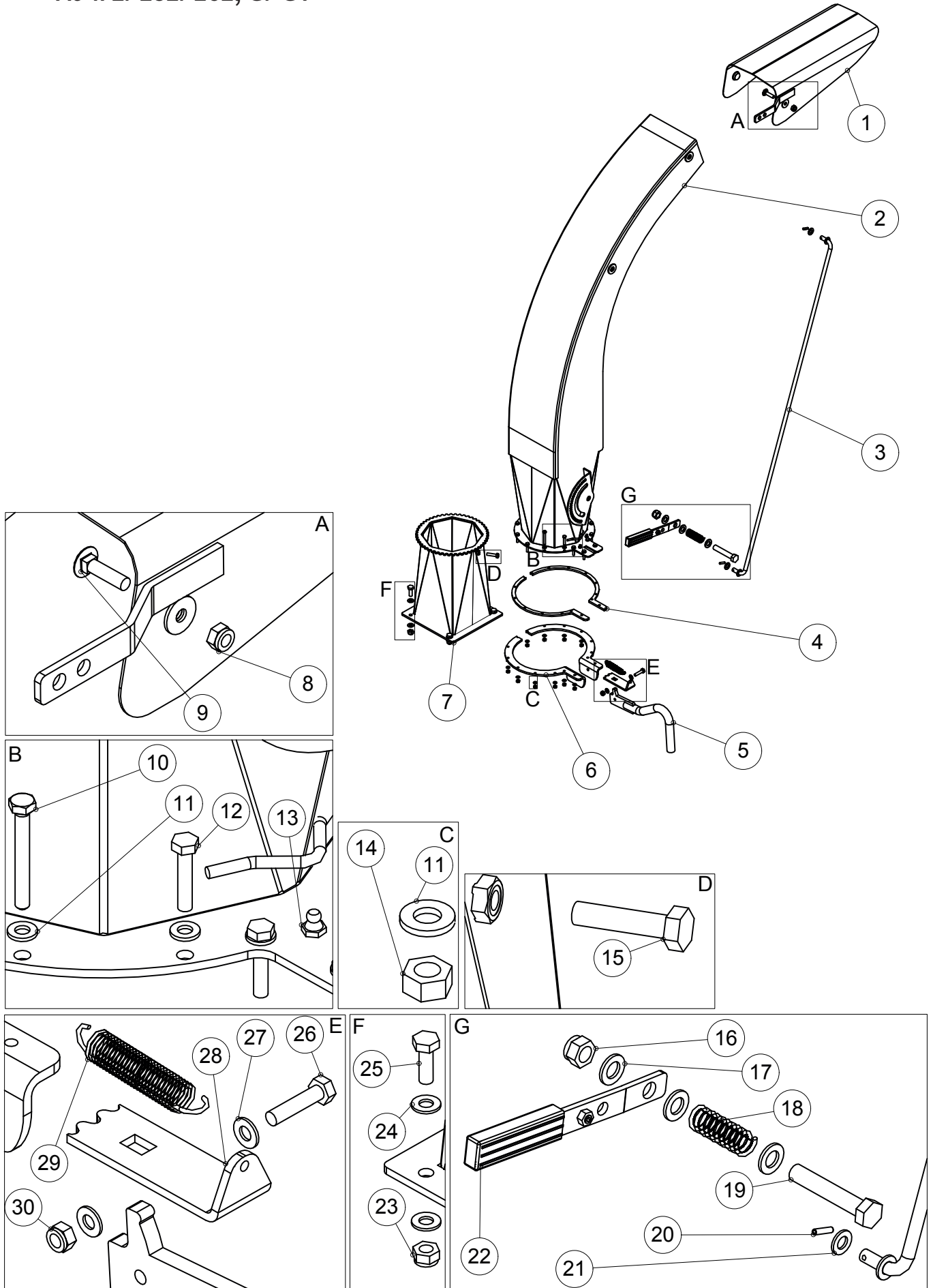
| OSA<br>PART | KOODI<br>CODE | NIMITYS                  | DESCRIPTION                 | KPL<br>PCS |
|-------------|---------------|--------------------------|-----------------------------|------------|
| 1           | B560E1524     | ALUSLAATTA               | WASHER                      | 16         |
| 2           | A060G1024     | 6-RUUVI                  | SCREW                       | 8          |
| 3           | AGE111014     | 6-MUTTERI                | NUT                         | 2          |
| 4           | BC3000004     | JOUSEN KIINNITIN         | SPRINGS FASTENER            | 2          |
| 5           | B851A0001     | JOUSISOKKA               | COTTER                      | 2          |
| 6           | 766551        | TAPPI                    | PIN                         | 2          |
| 7           | AG6113014     | 6-MUTTERI                | NUT                         | 12         |
| 8           | A03680        | 6-RUUVI                  | SCREW                       | 1          |
| 9           | AG8111014     | 6-MUTTERI                | NUT                         | 4          |
| 10          | D30100        | KAHVA                    | HANDLE                      | 1          |
| 11          | A04360        | URARUUVI                 | SCREW                       | 2          |
| 12          | A05150        | LUKKORUUVI               | SCREW                       | 2          |
| 13          | 48422         | LUKKO                    | LOCK                        | 1          |
| 14          | B580H1624     | ALUSLAATTA               | WASHER                      | 2          |
| 15          | A02655        | 6-KOLORUUVI              | SCREW                       | 8          |
| 16          | 428652        | SARANA                   | HINGE                       | 2          |
| 17          | A060L1524     | 6-RUUVI                  | SCREW                       | 2          |
| 18          | 42814         | SÄHKÖKOTELON LEVY        | PLATE                       | 1          |
| 19          | 42815         | SÄHKÖKOTELO              | ELECTRIC BOX                | 1          |
| 20          | AG5113014     | 6-MUTTERI                | NUT                         | 4          |
| 21          | B550A1024     | ALUSLAATTA               | WASHER                      | 8          |
| 22          | A01055        | URARUUVI                 | SCREW                       | 4          |
| 23          | D40001547     | KUMITYYNY                | RUBBER CUSHION              | 2          |
| 24          | AGA113014     | 6-MUTTERI                | NUT                         | 2          |
| 25          | B5A0V1524     | ALUSLAATTA               | WASHER                      | 4          |
| 26          | A0A101524     | 6-RUUVI                  | SCREW                       | 10         |
| 27          | 42672         | YLÄ SYÖTTÖLAITTEEN RUNKO | FEEDING DEVICE, UPPER FRAME | 1          |
| 28          | 42681         | ALA SYÖTTÖLAITTEEN RUNKO | FEEDING DEVICE, LOWER FRAME | 1          |
| 29          | 42713         | SUOJAPELTI               | COVER PLATE                 | 1          |
| 30          | 42691         | PÄÄTYSUOJA               | COVER PLATE                 | 1          |
| 31          | 42688         | SUOJA                    | COVER PLATE                 | 1          |
| 32          | 42693         | PÄÄTYSUOJA               | COVER PLATE                 | 1          |
| 33          | 41498         | LAAKERIN SOVITELEVY      | BEARINGS FITTING PLATE      | 2          |
| 34          | CLUCF2050     | LAIPPALAAKERI            | BEARING                     | 2          |
| 35          | B5A0MB024     | ALUSLAATTA               | WASHER                      | 8          |
| 36          | 41499         | SOVITERENGAS             | FITTING RING                | 4          |
| 37          | 42690         | YLÄSYÖTTÖRULLA           | UPPER FEEDER                | 1          |
| 38          | 49058         | SOVITELEVY               | FITTING PLATE               | 1          |
| 39          | D30000311     | HYDRAULIMOOTTORI         | HYDRAULIC MOTOR             | 1          |
| 40          | A0C101512     | 6-MUTTERI                | NUT                         | 4          |
| 41          | B5C0R2024     | ALUSLAATTA               | WASHER                      | 2          |
| 42          | B5C0M2514     | JOUSIALUSLAATTA          | SPRING WASHER               | 2          |
| 43          | D65702000     | HYDRAULIMOOTTORI         | HYDRAULIC MOTOR             | 1          |
| 44          | 766450        | ALASYÖTTÖRULLA           | LOWER FEEDER                | 1          |
| 45          | 709250        | AKSELI TAPPI             | SHAFT                       | 1          |
| 46          | B5A0H2214     | JOUSIALUSLAATTA          | SPRING WASHER               | 4          |
|             |               | OHJAIN PIIRILEVY         | CONTROL BOARD               | 1          |

## 2.2 SYÖTTÖLAITE / FEEDING DEVICE HJ 262, G/ GT/ GTC



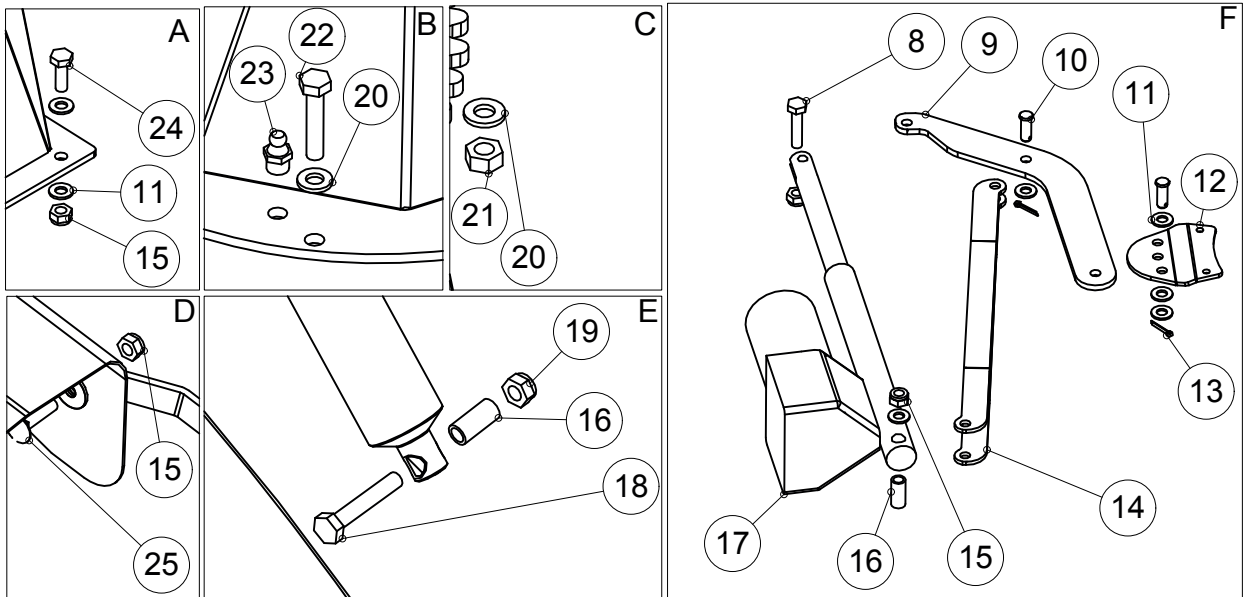
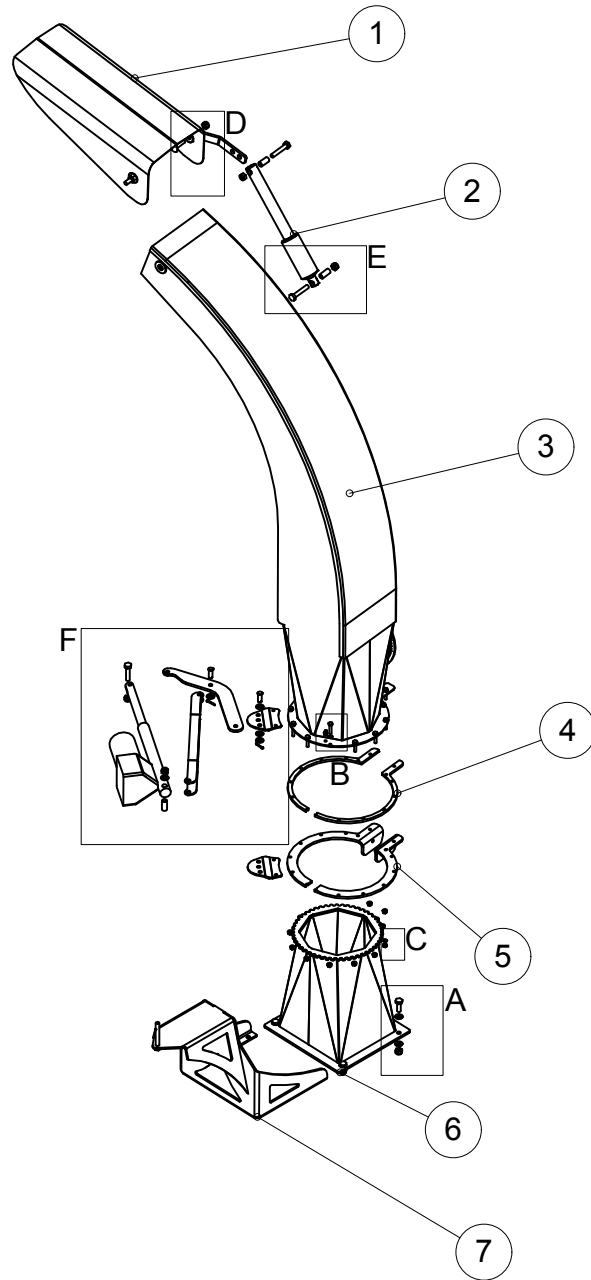
| OSA PART | KOODI CODE | NIMITYS                     | DESCRIPTION                   | KPL PCS |
|----------|------------|-----------------------------|-------------------------------|---------|
| 1        | 42759      | TUKI                        | SUPPORT                       | 1       |
| 2        | 42756      | YLÄSUOJALEVY                | COVER PLATE                   | 1       |
| 3        | 42672      | SYÖTTÖLAITTEEN YLÄOSA       | FEEDING DEVICE, UPPER FRAME   | 1       |
| 4        | 42757      | PÄÄTYSUOJA                  | COVER PLATE                   | 1       |
| 5        | 14711600   | VETOJOUSI                   | SPRING                        | 2       |
| 6        | D40001547  | KUMITYYNY                   | RUBBER CUSHION                | 2       |
| 7        | 42750      | ALEMPI KAMMIO               | LOWER CHAMBER                 | 1       |
| 8        | 42758      | PÄÄTYSUOJA                  | COVER PLATE                   | 1       |
| 9        | A04360     | URARUUVI                    | SCREW                         | 2       |
| 10       | D30100     | KAHVA                       | HANDLE                        | 1       |
| 11       | AG8111014  | MUTTERI                     | NUT                           | 6       |
| 12       | A060G1024  | 6-RUUVI                     | SCREW                         | 9       |
| 13       | B560E1524  | ALUSLEVY                    | WASHER                        | 15      |
| 14       | A08103014  | LUKKORUUVI                  | SCREW                         | 1       |
| 15       | B580H1624  | ALUSLEVY                    | WASHER                        | 3       |
| 16       | AG8113014  | 6-MUTTERI                   | NUT                           | 1       |
| 17       | A060L1524  | 6-RUUVI                     | SCREW                         | 3       |
| 18       | AG6113014  | 6-MUTTERI                   | NUT                           | 3       |
| 19       | A03680     | 6-RUUVI                     | SCREW                         | 1       |
| 20       | A05150     | LUKKORUUVI                  | SCREW                         | 2       |
| 21       | 48422      | LUKKO                       | LOCK                          | 1       |
| 22       | BA5100004  | SAKSISOKKA                  | COTTER PIN                    | 2       |
| 23       | 766551     | TAPPI                       | PIN                           | 2       |
| 24       | AGE111014  | 6-MUTTERI                   | NUT                           | 2       |
| 25       | BC3000004  | JOUSEN KIINNITIN            | SPRINGS FASTENER              | 2       |
| 26       | AG6113014  | 6-MUTTERI                   | NUT                           | 8       |
| 27       | A02655     | 6-KOLORUUVI UPPOKANTAINEN   | SCREW                         | 8       |
| 28       | 428652     | SARANA                      | HINGE                         | 2       |
| 29       | AG5113014  | 6-MUTTERI                   | NUT                           | 4       |
| 30       | B550A1024  | ALUSLEVY                    | WASHER                        | 8       |
| 31       | 42814      | OHJAIMEN TUKILEVY           | PLATE                         | 1       |
| 32       | 42815      | OHJAIMEN KOTELO             | CIRCUIT BOX                   | 1       |
| 33       | A01055     | URARUUVI                    | SCREW                         | 4       |
| 34       | 41498      | SOVITE LEVY                 | FITTING PLATE                 | 2       |
| 35       | CLUCF2050  | LAIPPALAAKERI               | BEARING                       | 2       |
| 36       | B5A0MB024  | ALUSLEVY                    | WASHER                        | 4       |
| 37       | A0A101524  | 6-RUUVI                     | SCREW                         | 4       |
| 38       | 41499      | SOVITERENGAS                | FITTING RING                  | 4       |
| 39       | 42690      | YLÄSYÖTTÖRULLA              | UPPER FEEDER                  | 1       |
| 40       | 49058      | SOVITE LEVY                 | FITTING PLATE                 | 2       |
| 41       | B5C0R2024  | ALUSLEVY                    | WASHER                        | 8       |
| 42       | A0C101512  | 6-RUUVI                     | SCREW                         | 8       |
| 43       | D30000311  | HYDRAULI MOOTTORI           | HYDRAULIC MOTOR               | 1       |
| 44       | 709250     | AKSELI TAPPI                | SHAFT                         | 1       |
| 45       | 48355      | ALASYÖTTÖRULLA              | LOWER FEEDER                  | 1       |
| 46       | B5C0M2514  | JOUSIALUSLAATTA             | WASHER                        | 2       |
| 47       | D65702000  | HYDRAULI MOOTTORI PIIRILEVY | HYDRAULIC MOTOR CIRCUIT BOARD | 1       |

### 3.1 TORVI / FUNNEL HJ 172/ 252/ 262, G/ GT



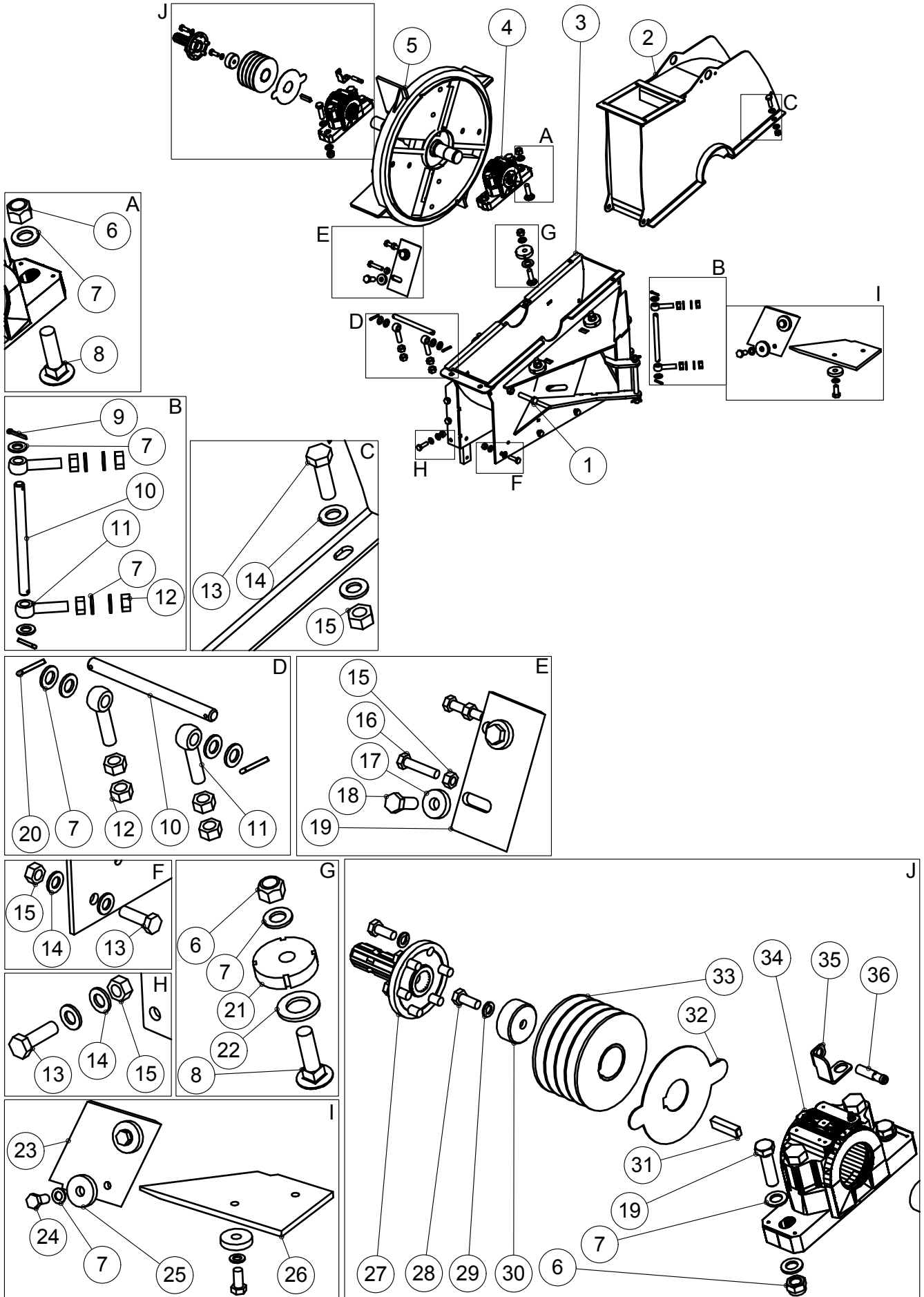
| OSA<br>PART | KOODI<br>CODE | NIMITYS      | DESCRIPTION     | HJ 172<br>KPL / PCS | HJ 252/ 262<br>KPL / PCS |
|-------------|---------------|--------------|-----------------|---------------------|--------------------------|
| 1           | 42538         | LIPPA        | DEFLECTOR       | 1                   | 1                        |
| 2           | 42051         | TORVI        | FUNNEL          | 1                   | 1                        |
| 3           | 42070         | SÄÄTÖTANKO   | ADJUSTMENT POLE | 1                   | 1                        |
| 4           | 42063         | VÄLIPALA     | PLATE           | 2                   | 2                        |
| 5           | 42066         | LUKITUSKAHVA | HANDLE          | 1                   | 1                        |
| 6           | 42064         | VÄLIPALA     | PLATE           | 1                   | 1                        |
| 7           | 42084         | TORVEN LÄHTÖ | FUNNELS BASE    | 1                   |                          |
|             | 42072         | TORVEN LÄHTÖ | FUNNELS BASE    |                     | 1                        |
| 8           | AGA113014     | 6-MUTTERI    | NUT             | 2                   | 2                        |
| 9           | A0A1A4524     | LUKKORUUVI   | SCREW           | 2                   | 2                        |
| 10          | A03557        | 6-RUUVI      | SCREW           | 1                   | 1                        |
| 11          | B560E1524     | ALUSLAATTA   | WASHER          | 30                  | 30                       |
| 12          | A06101014     | 6-RUUVI      | SCREW           | 14                  | 14                       |
| 13          | 142680        | RASVANIPPA   | GREASE NIPPLE   | 3                   | 3                        |
| 14          | AG6111014     | 6-MUTTERI    | NUT             | 15                  | 15                       |
| 15          | A08151514     | 6-RUUVI      | SCREW           | 1                   | 1                        |
| 16          | AGG113014     | 6-MUTTERI    | NUT             | 1                   | 1                        |
| 17          | B5G102524     | ALUSLAATTA   | WASHER          | 3                   | 3                        |
| 18          | E410592       | JOUSI        | SPRING          | 1                   | 1                        |
| 19          | A0G301512     | 6-RUUVI      | SCREW           | 1                   | 1                        |
| 20          | B850N0001     | JOUSISOKKA   | SPRING COTTER   | 2                   | 2                        |
| 21          | B5C0R2024     | ALUSLAATTA   | WASHER          | 2                   | 2                        |
| 22          | 42071         | VIPU         | LEVER           | 1                   | 1                        |
| 23          | AGA113014     | 6-MUTTERI    | NUT             | 4                   | 4                        |
| 24          | B5A0MB024     | ALUSLAATTA   | WASHER          | 8                   | 8                        |
| 25          | A0A101524     | 6-RUUVI      | SCREW           | 4                   | 4                        |
| 26          | A08151514     | 6-RUUVI      | SCREW           | 1                   | 1                        |
| 27          | B580H1624     | ALUSLAATTA   | WASHER          | 2                   | 2                        |
| 28          | 42059         | LUKITUS LEVY | LOCKING PLATE   | 1                   | 1                        |
| 29          | 34324700      | JOUSI        | SPRING          | 1                   | 1                        |
| 30          | AG8113014     | 6-MUTTERI    | NUT             | 1                   | 1                        |

### 3.2 TORVI / FUNNEL HJ 252 / 262, GTC



| OSA<br>PART | KOODI<br>CODE | NIMITYS        | DESCRIPTION   | KPL<br>PCS |
|-------------|---------------|----------------|---------------|------------|
| 1           | 42538         | LIPPA          | DEFLECTOR     | 1          |
| 2           | D40506        | KARAMOOTTORI   | SPINDLE MOTOR | 1          |
| 3           | 42051         | TORVI          | FUNNEL        | 1          |
| 4           | 42063         | VÄLILEVY       | PLATE         | 1          |
| 5           | 42064         | VÄLILEVY       | PLATE         | 1          |
| 6           | 42072         | TORVEN LÄHTÖ   | FUNNELS BASE  | 1          |
| 7           | 41934         | KIINNITYS PETI | FASTENER      | 1          |
| 8           | A0A1F1014     | 6-RUUVI        | SCREW         | 1          |
| 9           | 41931         | VIPU           | LEVER         | 1          |
| 10          | BE1434        | SOKKATAPPI     | PIN           | 2          |
| 11          | B5A0MB024     | ALUSLAATTA     | WASHER        | 13         |
| 12          | 41927         | PIDIKE         | HOLDER        | 2          |
| 13          | BA30L0004     | SAKSISOKKA     | COTTER PIN    | 2          |
| 14          | 41932         | VARSI          | ARM           | 2          |
| 15          | AGA113014     | 6-MUTTERI      | NUT           | 8          |
| 16          | D40003650     | KUMIPUSLA      | RUBBER PIECE  | 3          |
| 17          | D40505        | KARAMOOTTORI   | SPINDLE MOTOR | 1          |
| 18          | A0A201014     | 6-RUUVI        | SCREW         | 2          |
| 19          | AGA113014     | 6-MUTTERI      | NUT           | 2          |
| 20          | B560E1524     | ALUSLEVY       | WASHER        | 30         |
| 21          | AG6111014     | 6-MUTTERI      | NUT           | 15         |
| 22          | A06101014     | 6-MUTTERI      | NUT           | 15         |
| 23          | 142680P       | RASVANIPPA     | GREASE NIPPLE | 3          |
| 24          | A0A101524     | 6-RUUVI        | SCREW         | 4          |
| 25          | A0A1A4524     | LUKKORUUVI     | SCREW         | 2          |

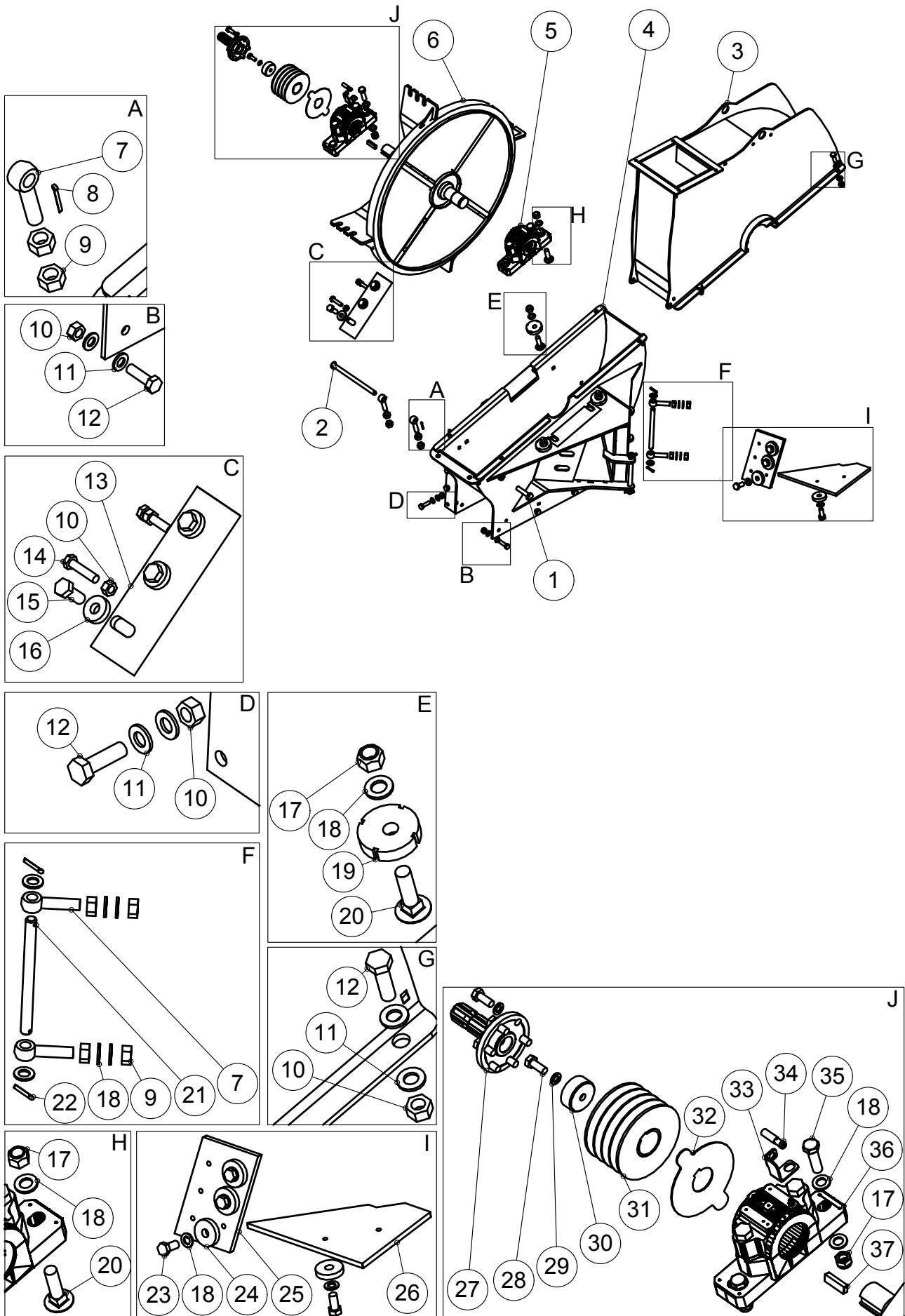
# 4.1 KAMMIO JA TERÄ / CHAMBER AND BLADE HJ 172, G/ GT





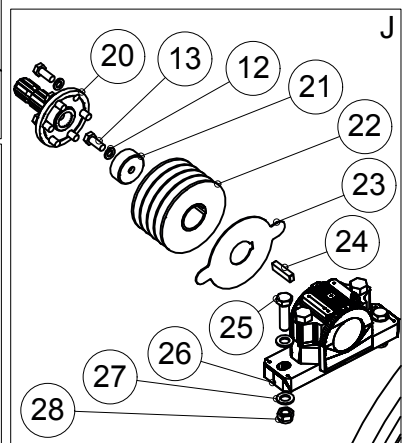
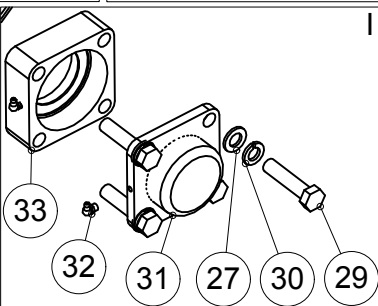
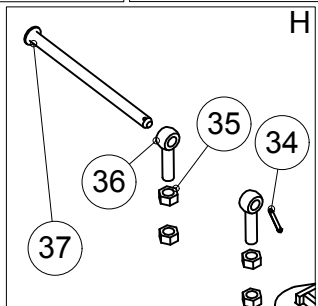
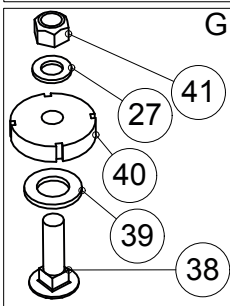
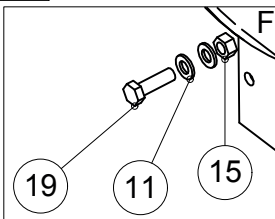
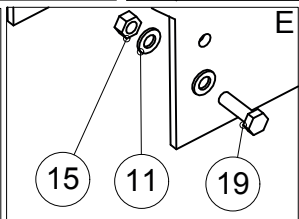
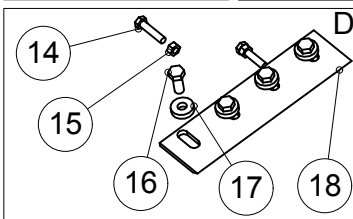
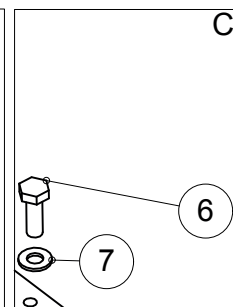
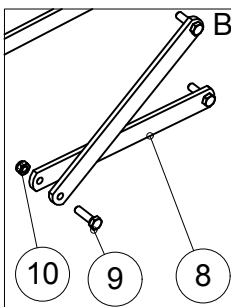
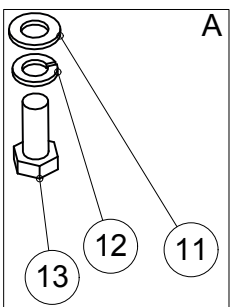
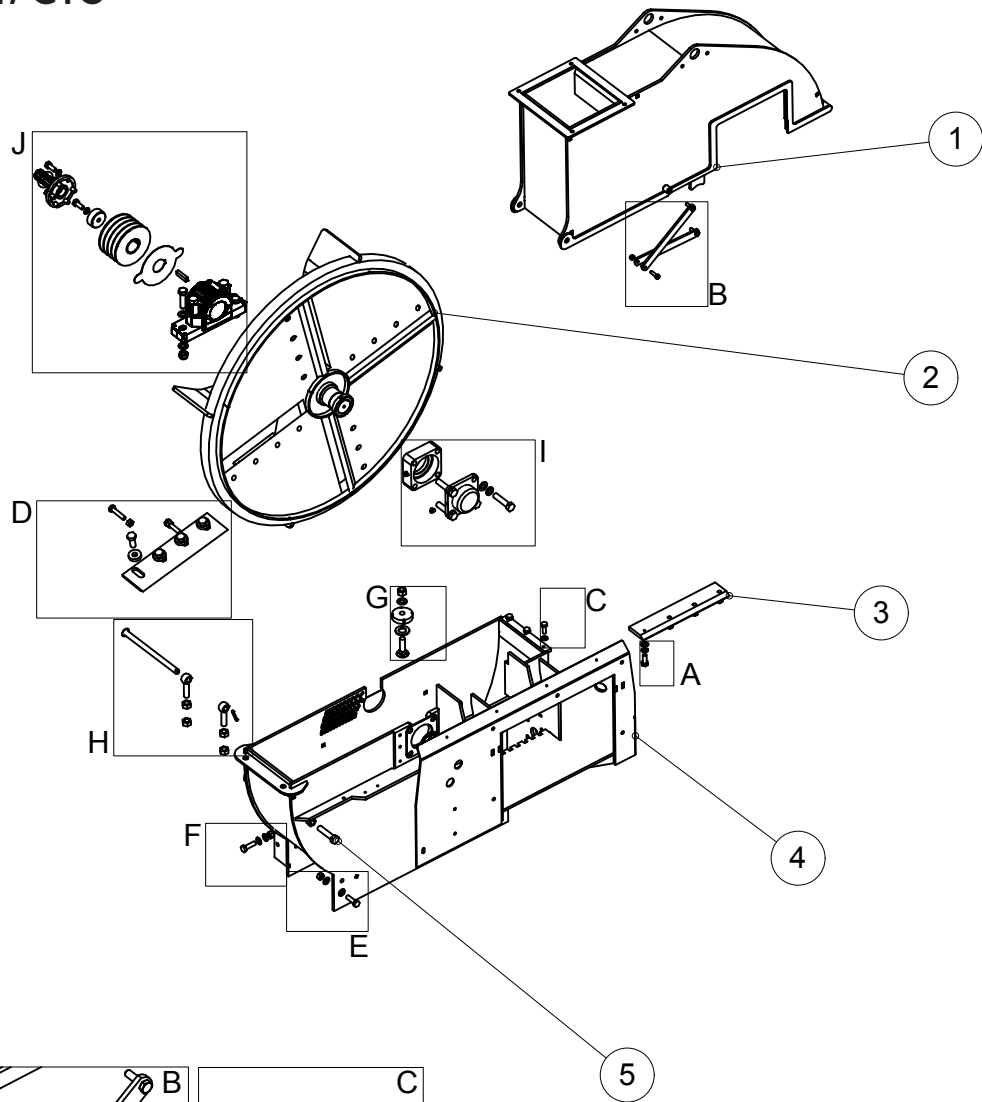
| OSA PART | KOODI CODE | NIMITYS              | DESCRIPTION           | KPL PCS |
|----------|------------|----------------------|-----------------------|---------|
| 1        | A12850     | 6-RUUVI              | SCREW                 | 1       |
| 2        | 42550      | KAMMION YLÄOSA       | CHAMBER, UPPER PART   | 1       |
| 3        | 41870      | KAMMION ALAOSA       | CHAMBER, LOWER PART   | 1       |
| 4        | 761301     | PÄITTAIS LAAKEROINTI | BEARING               | 1       |
| 5        | 41890      | LAIKKA               | WHEEL                 | 1       |
| 6        | AGG113014  | 6-MUTTERI            | NUT                   | 8       |
| 7        | B5G102524  | ALUSLAATTA           | WASHER                | 24      |
| 8        | A0G1S3014  | LUKKORUUVI           | SCREW                 | 6       |
| 9        | BA5100004  | SAKSISOKKA           | COTTER PIN            | 4       |
| 10       | 766552     | TANKO                | BAR                   | 3       |
| 11       | A0G3A1014  | SILMÄRUUVI           | SCREW                 | 4       |
| 12       | A51700     | 6-MUTTERI            | NUT                   | 8       |
| 13       | A0C1A1014  | 6-RUUVI              | SCREW                 | 14      |
| 14       | B5C0R2024  | ALUSLAATTA           | WASHER                | 28      |
| 15       | AGC111014  | 6-MUTTERI            | NUT                   | 20      |
| 16       | A0C1S1524  | 6-RUUVI              | SCREW                 | 8       |
| 17       | 761221     | ALUSLAATTA           | WASHER                | 8       |
| 18       | A0G1A1514  | 6-RUUVI              | SCREW                 | 8       |
| 19       | D56340141  | TERÄ                 | BLADE                 | 4       |
| 20       | BA51A0004  | SAKSISOKKA           | COTTER PIN            | 2       |
| 21       | 41691      | LAAKERIN TUKI        | BEARING SUPPORT       | 4       |
| 22       | B5R1F4024  | ALUSLAATTA           | WASHER                | 4       |
| 23       | 41893      | SIVUVASTATERÄ        | COUNTER BLADE, SIDE   | 1       |
| 24       | A0G151524  | 6-RUUVI              | SCREW                 | 4       |
| 25       | 772803     | ALUSLAATTA           | WASHER                | 4       |
| 26       | 41892      | ALAVASTATERÄ         | COUNTER BLADE, BOTTOM | 1       |
| 27       | 761250     | URA-AKSELI           | SPLINE SHAFT          | 1       |
| 28       | A0C101512  | 6-RUUVI              | SCREW                 | 7       |
| 29       | B5C0M2514  | ALUSLAATTA           | WASHER                | 7       |
| 30       | 761202     | KIINNITYS LAIPPA     | RETAINER              | 1       |
| 31       | 761205     | KIILA                | COTTER                | 1       |
| 32       | 49207      | SENSORIN LEVY        | SENSORS PLATE         | 1       |
| 33       | 48009      | HIHNAPYÖRÄ           | PULLEY                | 1       |
| 34       | 761302     | SÄTEISLAAKEROINTI    | BEARING               | 1       |
| 35       | 71271      | ANTURIN KIINNIKE     | SENSOR HOLDER         | 1       |
| 36       | 42833      | INDUKTIIVINEN ANTURI | INDUCTIVE SENSOR      | 1       |

## 4.2 KAMMIO JA TERÄ / CHAMBER AND BLADE HJ 252, G/ GT /GTC



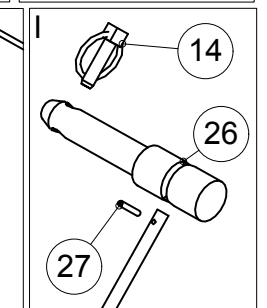
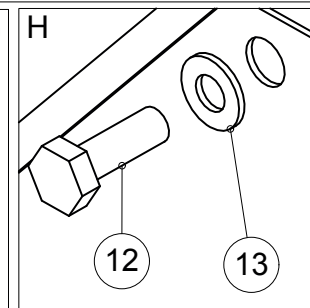
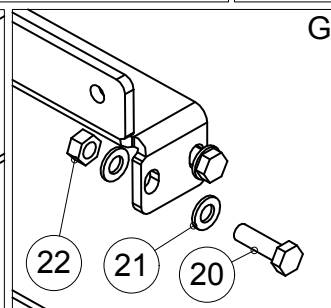
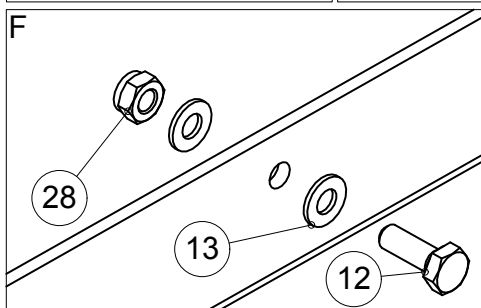
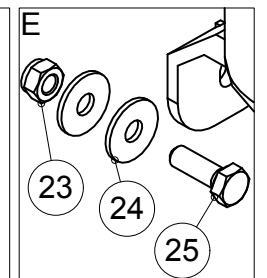
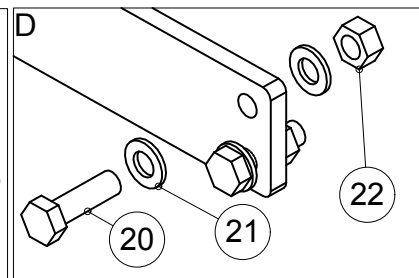
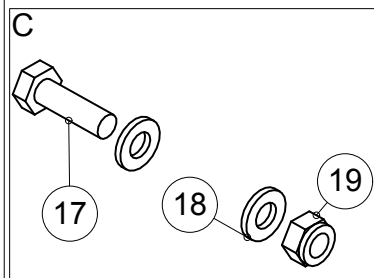
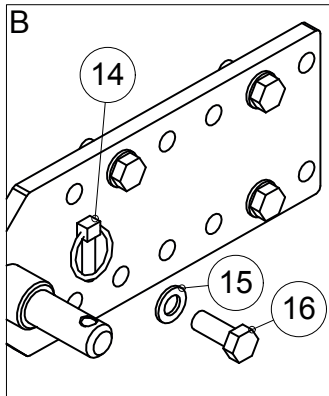
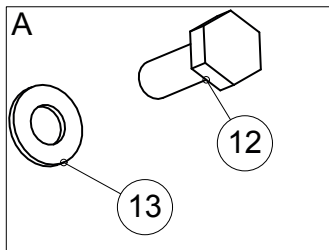
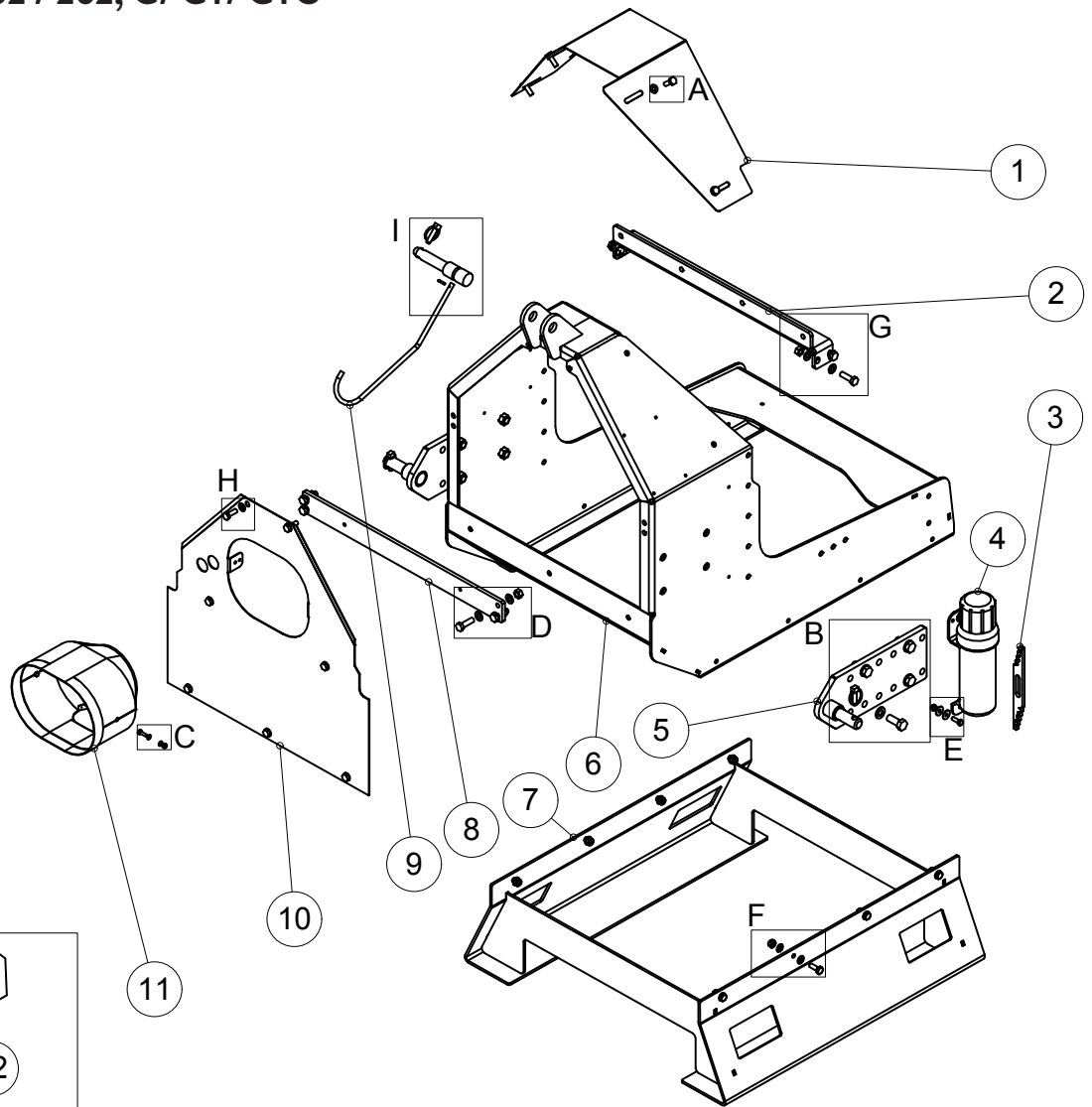
| OSA PART | KOODI CODE | NIMITYS              | DESCRIPTION           | KPL PCS |
|----------|------------|----------------------|-----------------------|---------|
| 1        | A12850     | 6-RUUVI              | SCREW                 | 1       |
| 2        | 48022      | SARANATAPPI          | PIN                   | 1       |
| 3        | 42545      | YLÄKAMMIO            | UPPER CHAMBER         | 1       |
| 4        | 41630      | ALÄKAMMIO            | LOWER CHAMBER         | 1       |
| 5        | 761301     | PÄITÄISLAAKEROINTI   | BEARING               | 1       |
| 6        | 761100     | LAIKKA               | WHEEL                 | 1       |
| 7        | A0G3A1014  | SILMÄRUUVI           | SCREW                 | 4       |
| 8        | BA51A0004  | SAKSISOKKA           | COTTER PIN            | 2       |
| 9        | A51700     | 6-MUTTERI            | NUT                   | 8       |
| 10       | AGC111014  | 6-MUTTERI            | NUT                   | 26      |
| 11       | B5C0R2024  | ALUSLAATTA           | WASHER                | 36      |
| 12       | A0C1A1014  | 6-RUUVI              | SCREW                 | 18      |
| 13       | D56133172  | TERÄ                 | BLADE                 | 4       |
| 14       | A0C1S1524  | 6-RUUVI              | SCREW                 | 8       |
| 15       | A0G1A1514  | 6-RUUVI              | SCREW                 | 12      |
| 16       | 761221     | ALUSLAATTA           | WASHER                | 12      |
| 17       | AGG113014  | 6-MUTTERI            | NUT                   | 8       |
| 18       | B5G102524  | ALUSLAATTA           | WASHER                | 21      |
| 19       | 41691      | LAAKERIN TUKI        | BEARING SUPPORT       | 4       |
| 20       | A0G1S3014  | LUKKORUUVI           | SCREW                 | 6       |
| 21       | 766552     | TAPPI                | PIN                   | 2       |
| 22       | BA5100004  | SAKSISOKKA           | COTTER PIN            | 4       |
| 23       | A0G151524  | 6-RUUVI              | SCREW                 | 5       |
| 24       | 772803     | ALUSLAATTA           | WASHER                | 5       |
| 25       | 766565     | SIVUVASTATERÄ        | COUNTER BLADE, SIDE   | 1       |
| 26       | 41372      | ALAVASTATERÄ         | COUNTER BLADE, BOTTOM | 1       |
| 27       | 761250     | URA-AKSELI           | SPLINE SHAFT          | 1       |
| 28       | A0C101512  | 6-RUUVI              | SCREW                 | 7       |
| 29       | B5C0M2514  | JOUSIALUSLAATTA      | WASHER                | 7       |
| 30       | 761202     | KIINNITYS LAIPPA     | RETAINER              | 1       |
| 31       | 48009      | HIHNAPYÖRÄ           | PULLEY                | 1       |
| 32       | 49207      | SENSORIN LEVY        | SENSORS PLATE         | 1       |
| 33       | 71271      | SENSORIN KIINNIKE    | SENSORS HOLDER        | 1       |
| 34       | 42833      | INDUKTIIVINEN ANTURI | INDUCTIVE SENSOR      | 1       |
| 35       | A0G201524  | 6-RUUVI              | SCREW                 | 2       |
| 36       | 761302     | SÄTEISLAAKEROINTI    | BEARING               | 1       |
| 37       | 761205     | KIILA                | COTTER                | 1       |

### 4.3 KAMMIO JA TERÄ / CHAMBER AND BLADE HJ 262, G/ GT/ GTC



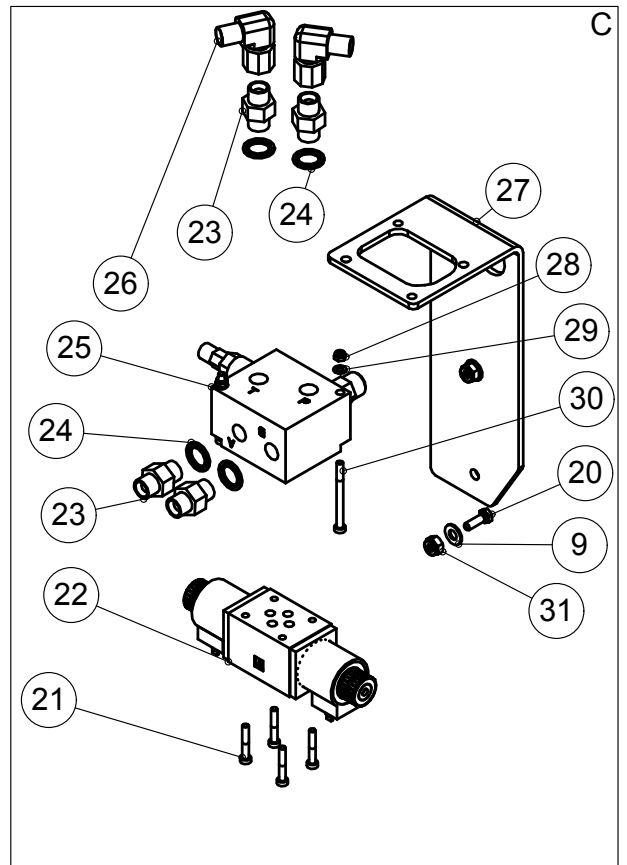
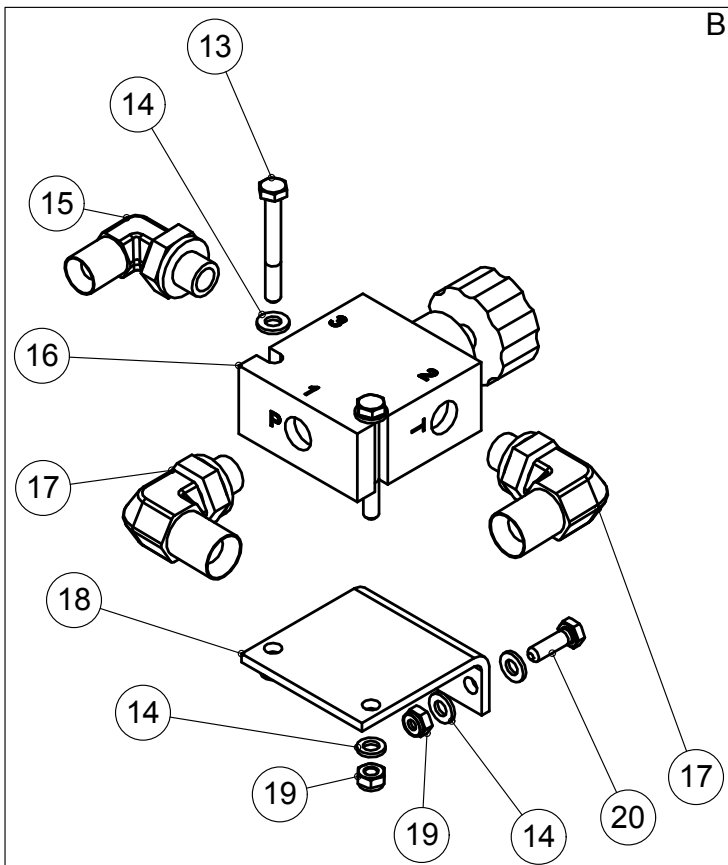
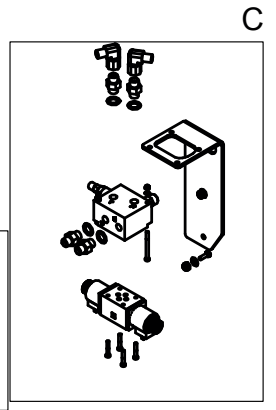
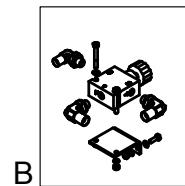
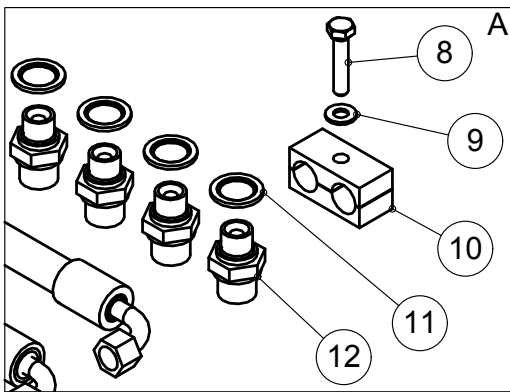
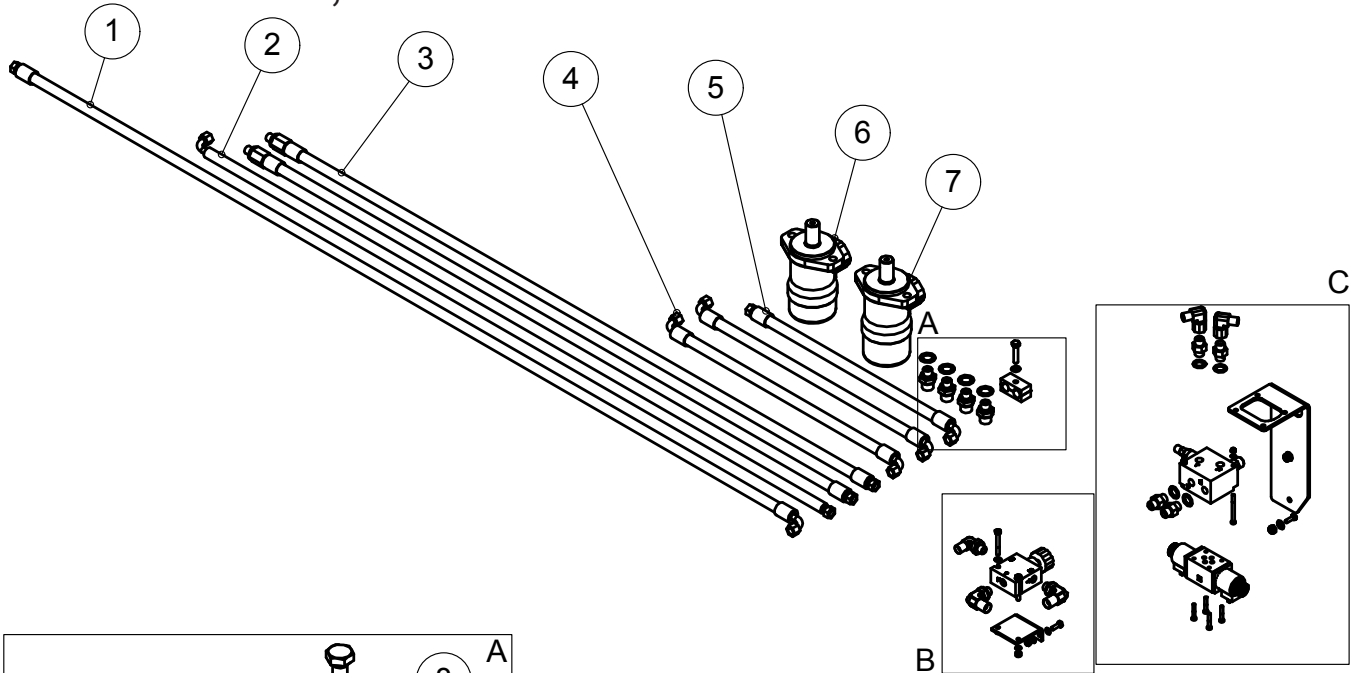
| OSA PART | KOODI CODE | NIMITYS            | DESCRIPTION       | KPL PCS |
|----------|------------|--------------------|-------------------|---------|
| 1        | 41750      | YLÄKAMMIO          | CHAMBER, UPPER    | 1       |
| 2        | 41760      | LAIKKA             | WHEEL             | 1       |
| 3        | 41723      | ALAVASTATERÄ       | COUNTER BLADE     | 1       |
| 4        | 42750      | ALAKAMMIO          | CHAMBER, LOWER    | 1       |
| 5        | A12850     | 6-RUUVI            | SCREW             | 1       |
| 6        | A0A101524  | 6-RUUVI            | SCREW             | 3       |
| 7        | B5A0MB024  | ALUSLAATTA         | WASHER            | 3       |
| 8        | 48018      | VARSII             | ARM               | 2       |
| 9        | A08101514  | 6-RUUVI            | SCREW             | 3       |
| 10       | AG8113014  | 6-MUTTERI          | NUT               | 1       |
| 11       | B5C0R2024  | ALUSLAATTA         | WASHER            | 28      |
| 12       | B5C0M2514  | JOUSIALUSLAATTA    | WASHER            | 4       |
| 13       | A0C101512  | 6-RUUVI            | SCREW             | 11      |
| 14       | A0C1S1524  | 6-RUUVI            | SCREW             | 8       |
| 15       | AGC111014  | 6-MUTTERI          | NUT               | 20      |
| 16       | A0G1A1514  | 6-RUUVI            | SCREW             | 16      |
| 17       | 761221     | ALUSLAATTA         | WASHER            | 16      |
| 18       | 42271      | TERÄ               | BLADE             | 4       |
| 19       | A0C1A1014  | 6-RUUVI            | SCREW             | 12      |
| 20       | 761250     | URA-AKSELI         | SPLINE SHAFT      | 1       |
| 21       | 761202     | KIINNITYS LAIPPA   | RETAINER          | 1       |
| 22       | 48009      | HIHNAPYÖRÄ         | PULLEY            | 1       |
| 23       | 49207      | SENSORIN LEVY      | SENSORS PLATE     | 1       |
| 24       | 761205     | KIILA              | COTTER            | 1       |
| 25       | A0G201524  | 6-RUUVI            | SCREW             | 2       |
| 26       | 41730      | SÄTEISLAAKEROINTI  | BEARING           | 1       |
| 27       | B5G102524  | ALUSLAATTA         | WASHER            | 8       |
| 28       | AGG113014  | 6-MUTTERI          | NUT               | 2       |
| 29       | A0G2F1514  | 6-RUUVI            | SCREW             | 4       |
| 30       | B5G0U3514  | JOUSIALUSLAATTA    | WASHER            | 4       |
| 31       | 49008      | LAAKERIPESÄN KANSI | COVER FOR BEARING | 1       |
| 32       | BJ6510000  | RASVANIPPA         | GREASE NIPPLE     | 2       |
| 33       | 490060     | LAAKERIPESÄ        | BREARING HOUSING  | 1       |
| 34       | BA51A0004  | SAKSISOKKA         | COTTER PIN        | 1       |
| 35       | A51700     | 6-MUTTERI          | NUT               | 4       |
| 36       | A0G3A1014  | SILMÄRUUVI         | SCREW             | 2       |
| 37       | 48022      | SARANATAPPI        | HINGE PIN         | 1       |
| 38       | A0G1S3014  | LUKKORUUVI         | SCREW             | 1       |
| 39       | B5R1F4024  | ALUSLAATTA         | WASHER            | 2       |
| 40       | 41691      | LAAKERIN TUKI      | BEARING SUPPORT   | 2       |
| 41       | AGG11314   | 6-MUTTERI          | NUT               | 2       |

# 5.1 RUNKO / FRAME HJ 172 / 252 / 262, G/ GT/ GTC



| OSA<br>PART | KOODI<br>CODE | NIMITYS                      | DESCRIPTION     | HJ 172 / 252<br>KPL / PCS | HJ 262<br>KPL / PCS |
|-------------|---------------|------------------------------|-----------------|---------------------------|---------------------|
| 1           | 41655         | SUOJA                        | COVER           | 1                         | 1                   |
| 2           | 41657         | TUKI                         | SUPPORT         | 1                         | 1                   |
| 3           | 47983         | TERÄNSÄÄTÖTULKKI             | ADJUSTMENT TOOL | 1                         | 1                   |
| 4           | 27015         | OHJEKIRJAN SUOJAPUTKI        | PROTECTIVE TUBE | 1                         | 1                   |
| 5           | 41644         | NOSTOVARSI                   | ARM             | 2                         | 2                   |
| 6           | 42640         | RUNKO                        | FRAME           | 1                         | 1                   |
| 7           | 42620         | RUNGON KOROKKE               | STAND           | 1                         | 1                   |
| 8           | 41896         | TUKI                         | SUPPORT         | 1                         | 1                   |
| 9           | 14196         | NIVELAKSELIN KANNATIN KOUKKU | SUPPORT HOOK    | 1                         | 1                   |
| 10          | 41809         | TAKALEVY                     | BACKPLATE       | 1                         | 1                   |
| 11          | 41692         | NIVELSUOJA                   | SHAFT GUARD     | 1                         | 1                   |
| 12          | A0A101524     | 6-RUUVI                      | SCREW           | 19                        | 11                  |
| 13          | B5A0MB024     | ALUSLAATTA                   | WASHER          | 27                        | 11                  |
| 14          | BEC000002     | RENGAS-SOKKA                 | LINCHPIN        | 3                         | 3                   |
| 15          | B5G102524     | ALUSLAATTA                   | WASHER          | 4                         | 4                   |
| 16          | A0G1A1514     | 6-RUUVI                      | SCREW           | 4                         | 4                   |
| 17          | A060L1524     | 6-RUUVI                      | SCREW           | 2                         | 2                   |
| 18          | B560E1524     | ALUSLAATTA                   | WASHER          | 4                         | 4                   |
| 19          | AG6113014     | 6-MUTTERI                    | NUT             | 2                         | 2                   |
| 20          | A0C1A1014     | 6-RUUVI                      | SCREW           | 8                         | 8                   |
| 21          | B5C0R2024     | ALUSLAATTA                   | WASHER          | 16                        | 16                  |
| 22          | AGC111014     | 6-MUTTERI                    | NUT             | 8                         | 8                   |
| 23          | A50711        | 6-MUTTERI                    | NUT             | 2                         | 2                   |
| 24          | B5A0V1525     | ALUSLAATTA                   | WASHER          | 4                         | 4                   |
| 25          | A080S1514     | 6-RUUVI                      | SCREW           | 2                         | 2                   |
| 26          | 14193         | TYÖNTÖVARREN TAPPI           | PIN             | 1                         | 1                   |
| 27          | B84100001     | JOUSISOKKA                   | COTTER          | 1                         | 1                   |
| 28          | A51151        | 6-MUTTERI                    | NUT             | 8                         | 8                   |

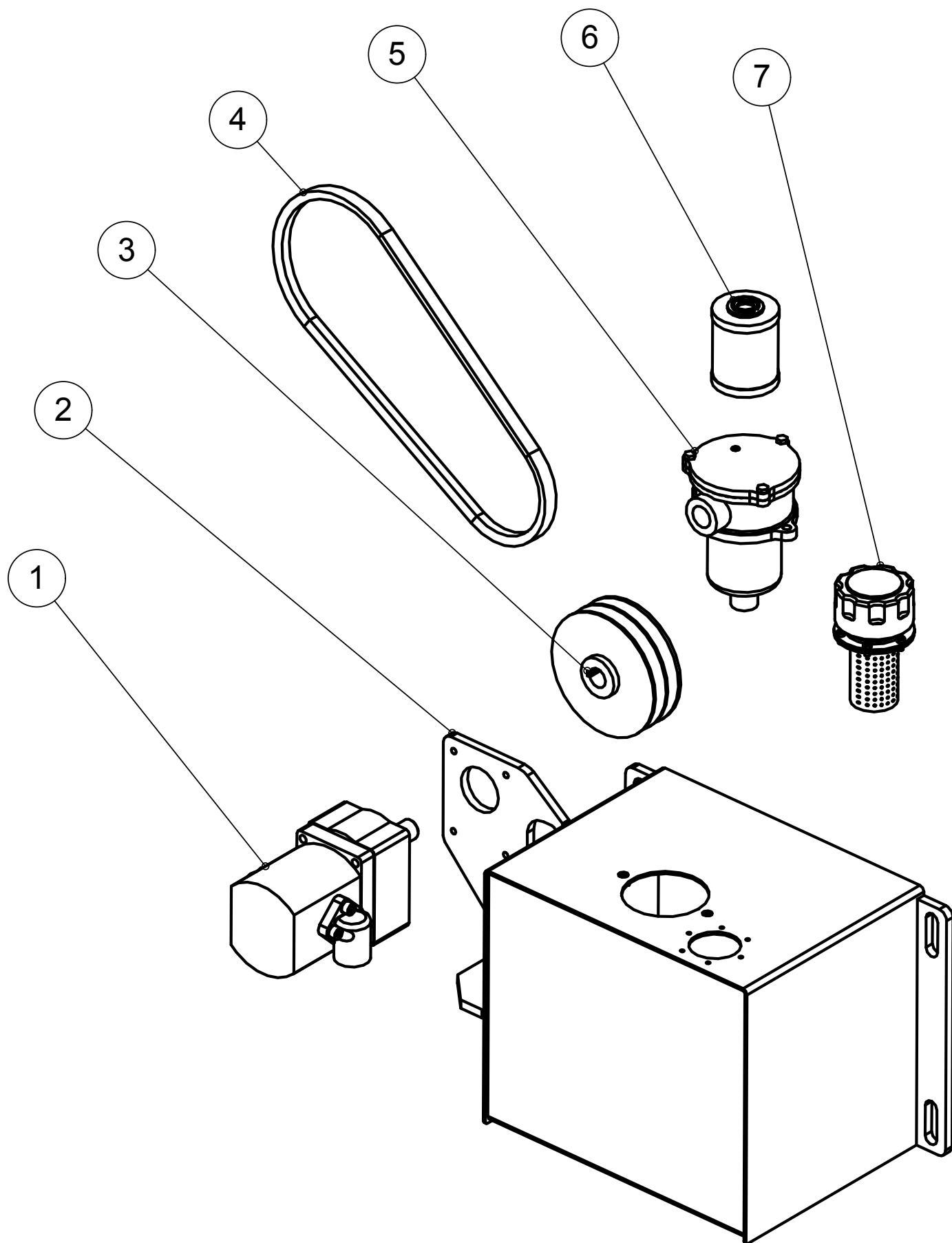
# 6.1 HYDRAULIIKKA / HYDRAULICS HJ 172/ 252/ 262, G





| OSA<br>PART | KOODI<br>CODE | NIMITYS                  | DESCRIPTION          | KPL<br>PCS |
|-------------|---------------|--------------------------|----------------------|------------|
| 1           | D47208        | HYDRAULI LETKU           | HYDRAULIC HOSE       | 1          |
| 2           | D30274        | HYDRAULI LETKU           | HYDRAULIC HOSE       | 1          |
| 3           | D30272        | HYDRAULI LETKU           | HYDRAULIC HOSE       | 2          |
| 4           | D30288        | HYDRAULI LETKU           | HYDRAULIC HOSE       | 2          |
| 5           | D44357        | HYDRAULI LETKU           | HYDRAULIC HOSE       | 1          |
| 6           | D65702000     | HYRDAULI MOOTTORI        | HYDRAULIC MOTOR      | 1          |
| 7           | D30000311     | HYRDAULI MOOTTORI        | HYDRAULIC MOTOR      | 1          |
| 8           | A081A1514     | 6-RUUVI                  | SCREW                | 1          |
| 9           | B580H1624     | ALUSLAATTA               | WASHER               | 3          |
| 10          | D6C218        | KAKSOISLIITIN            | CONNECTOR            | 1          |
| 11          | 133310P       | TIIVISTE                 | SEAL                 | 4          |
| 12          | 134460P       | KAKSOISNIPPA             | CONNECTOR            | 4          |
| 13          | A061L1011     | 6-RUUVI                  | SCREW                | 2          |
| 14          | B560E1524     | ALUSLAATTA               | WASHER               | 8          |
| 15          | 133479P       | KULMALIITIN              | CONNECTOR            | 1          |
| 16          | 41899         | VIRTAUKSEN SÄÄTÖVENTIILI | FLOW CONTROL VALVE   | 1          |
| 17          | 132983P       | KULMALIITIN              | CONNECTOR            | 2          |
| 18          | 42096         | SÄÄTÖVENTIILIN PIDIKE    | CONTROL VALVE HOLDER | 1          |
| 19          | AG6113014     | 6-MUTTERI                | NUT                  | 4          |
| 20          | A060L1524     | 6-RUUVI                  | SCREW                | 4          |
| 21          | A01530        | 6-KOLORUUVI              | SCREW                | 4          |
| 22          | 41606         | SUUNTAVENTIILI           | VALVE                | 1          |
| 23          | 133220P       | KAKSOISNIPPA             | CONNECTOR            | 4          |
| 24          | 133300P       | TIIVISTE                 | SEAL                 | 4          |
| 25          | D56082        | PERUSLEVY                | VALVE BLOCK          | 1          |
| 26          | 133669P       | KULMALIITIN              | CONNECTOR            | 2          |
| 27          | 49331         | VENTTIILIN PIDIKE        | VALVE HOLDER         | 1          |
| 28          | AG5113014     | 6-MUTTERI                | NUT                  | 2          |
| 29          | B550A1024     | ALUSLAATTA               | WASHER               | 2          |
| 30          | A0555         | 6-KOLORUUVI              | SCREW                | 2          |
| 31          | AG8113014     | 6-MUTTERI                | NUT                  | 2          |

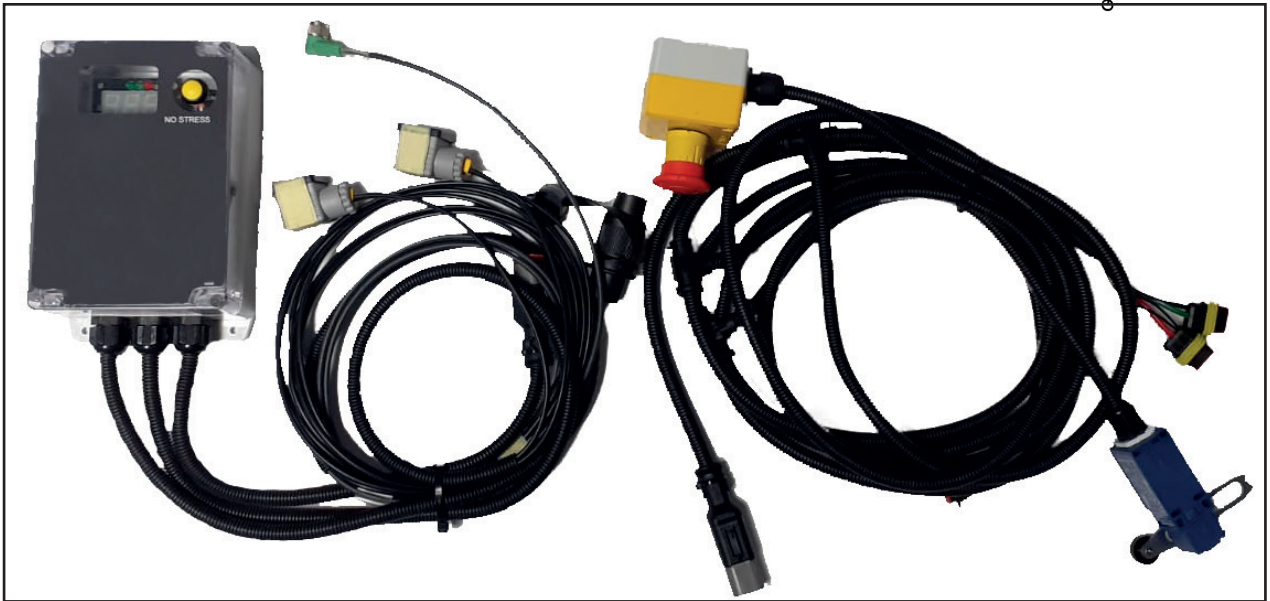
## 6.2 HYDRAULIIKKA / HYDRAULICS HJ 252/ 262, GT/GTC



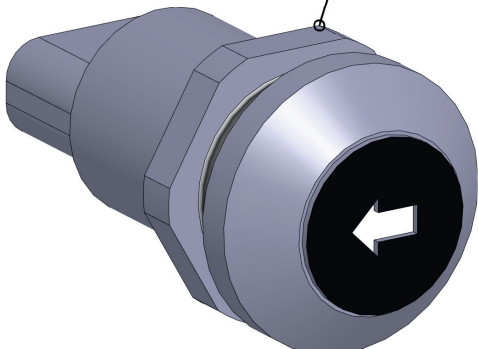
| OSA<br>PART | KOODI<br>CODE | NIMITYS           | DESCRIPTION     | KPL<br>PCS |
|-------------|---------------|-------------------|-----------------|------------|
| 1           | 765701        | PUMPPU            | PUMP            | 1          |
| 2           | 41401         | SÄILIÖ            | TANK            | 1          |
| 3           | 47641         | HIHNAPYÖRÄ        | PULLEY          | 1          |
| 4           | BMOB38        | HIHNA             | BELT            | 2          |
| 5           | D65703000     | SUODATIN          | FILTER          | 1          |
| 6           | 765919        | SUODATIN PATRUUNA | FILTER CATRIDGE | 1          |
| 7           | D65741000     | HUOHOTIN          | BREATHER VALVE  | 1          |

7.1 SÄHKÖSARJA / ELECTRONICS  
HJ 172/ 252/ 262, G/GT

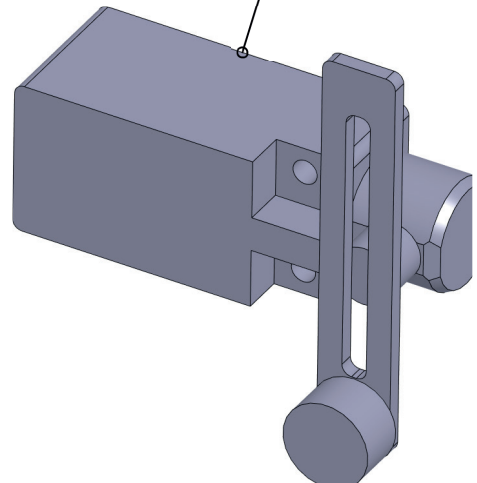
1



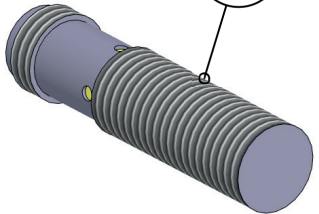
4



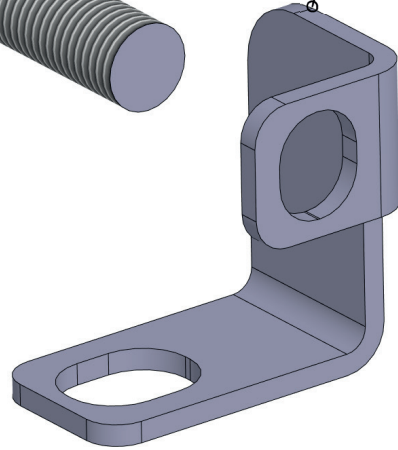
5



3

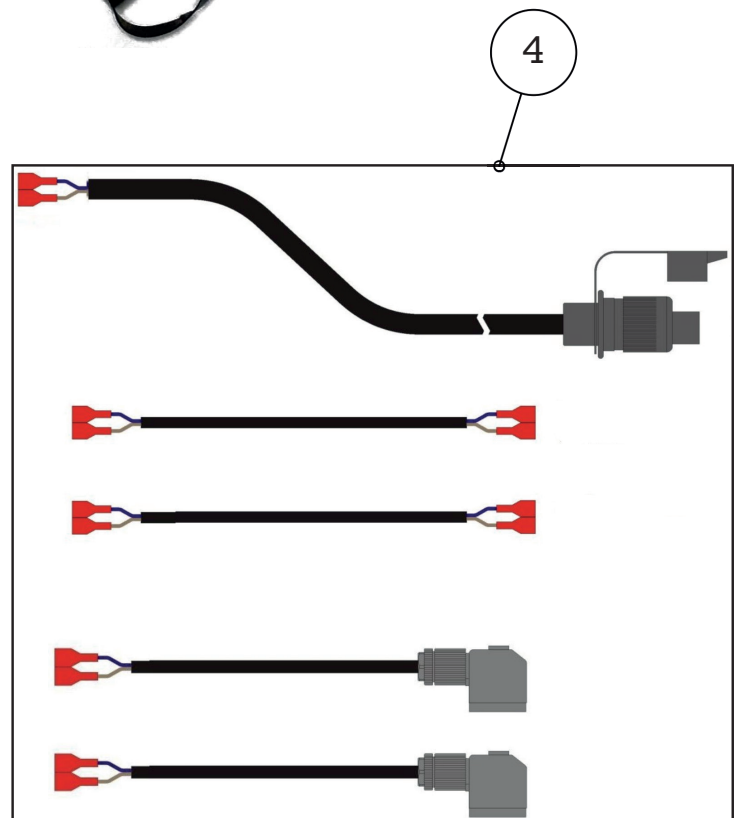
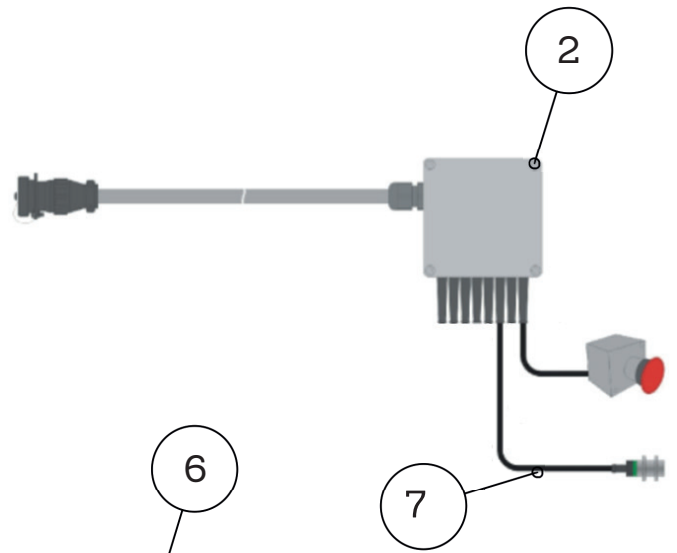
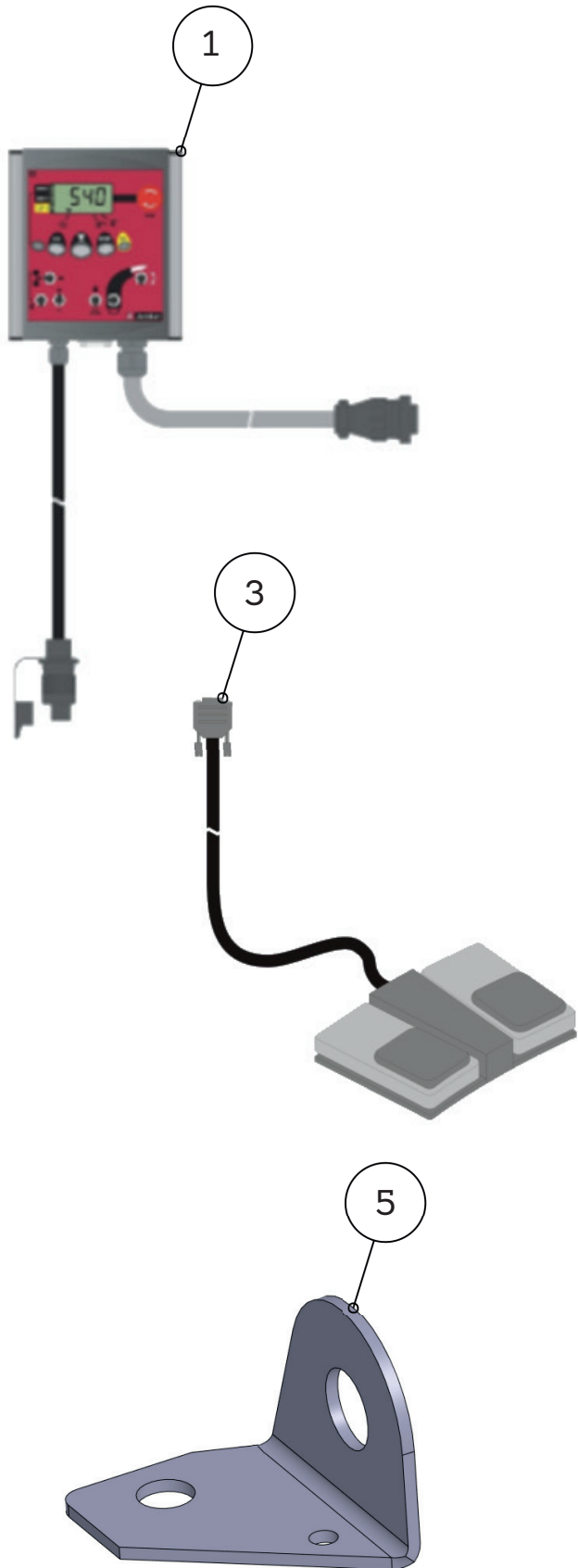


2



| OSA<br>PART | KOODI<br>CODE          | NIMITYS                    | DESCRIPTION                   | KPL<br>PCS |
|-------------|------------------------|----------------------------|-------------------------------|------------|
| 1           | 42820                  | JOHTOSARJA                 | WIRE KIT                      | 1          |
| 2           | 71271                  | ANTURIN KIINNIKE           | SENSOR FASTENER               | 1          |
| 3           | 42833                  | INDUKTIIVINEN ANTURI       | INDUCTIVE SENSOR              | 1          |
| 4           | 42831                  | NAPPULA                    | BUTTON                        | 4          |
| 5           | OMROND4N-412G<br>42822 | RAJAKATKAISIN<br>PIIRILEVY | LIMIT SWITCH<br>CIRCUIT BOARD | 1<br>1     |

## 7.2 SÄHKÖSARJA / ELECTRONICS HJ 252/ 262, GTC



| OSA<br>PART | KOODI<br>CODE | NIMITYS                   | DESCRIPTION            | KPL<br>PCS |
|-------------|---------------|---------------------------|------------------------|------------|
| 1           | 45330         | WIZARD C+ OHJAIN LAATIKKO | WIZARD C+ CONTROL BOX  | 1          |
| 2           | 45331         | WIZARD C+ HAAROITUS RASIA | WIZARD C+ JUNCTION BOX | 1          |
| 3           | 45335         | WIZARD C+ PEDAALI         | WIZARD C+ FOOT PEDAL   | 1          |
| 4           | 45333         | JOHTOSARJA                | WIRE KIT               | 1          |
| 5           | 49279         | ANTURIN KIINNIKE          | SENSOR FASTENER        | 1          |
| 6           | 75887         | HAAROITUS JOHTO           | SPLITTING CABLE        | 1          |
| 7           | S/Z 782-113   | NOPEUSANTURI              | SPEED SENSOR           | 1          |

Junkkari  
Part of the MSK Group

A GOOD WAY TO  
**WORK  
HARD**