

Junkkari



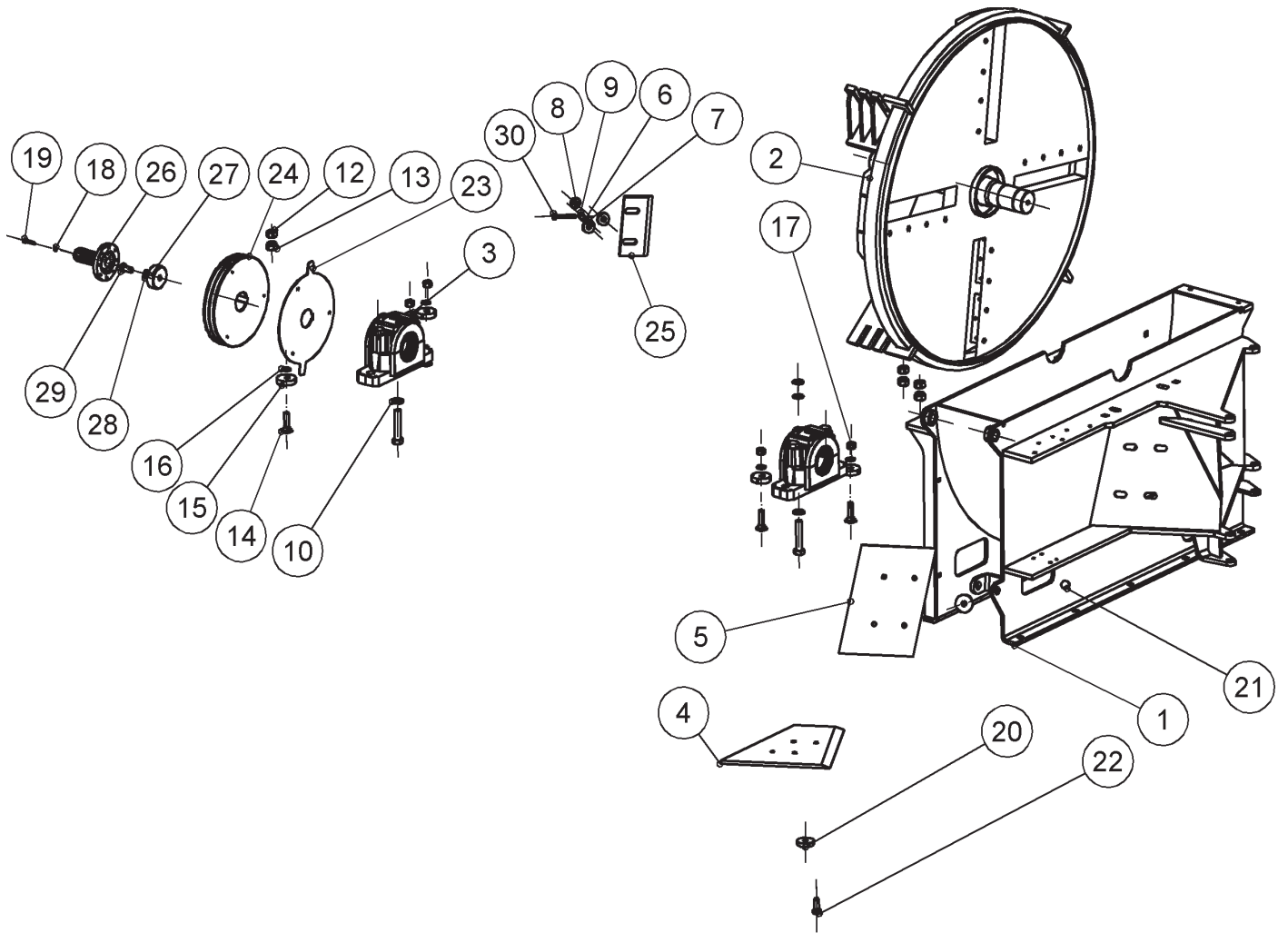
A GOOD WAY TO WORK HARD

JUNKKARI HJ-320C

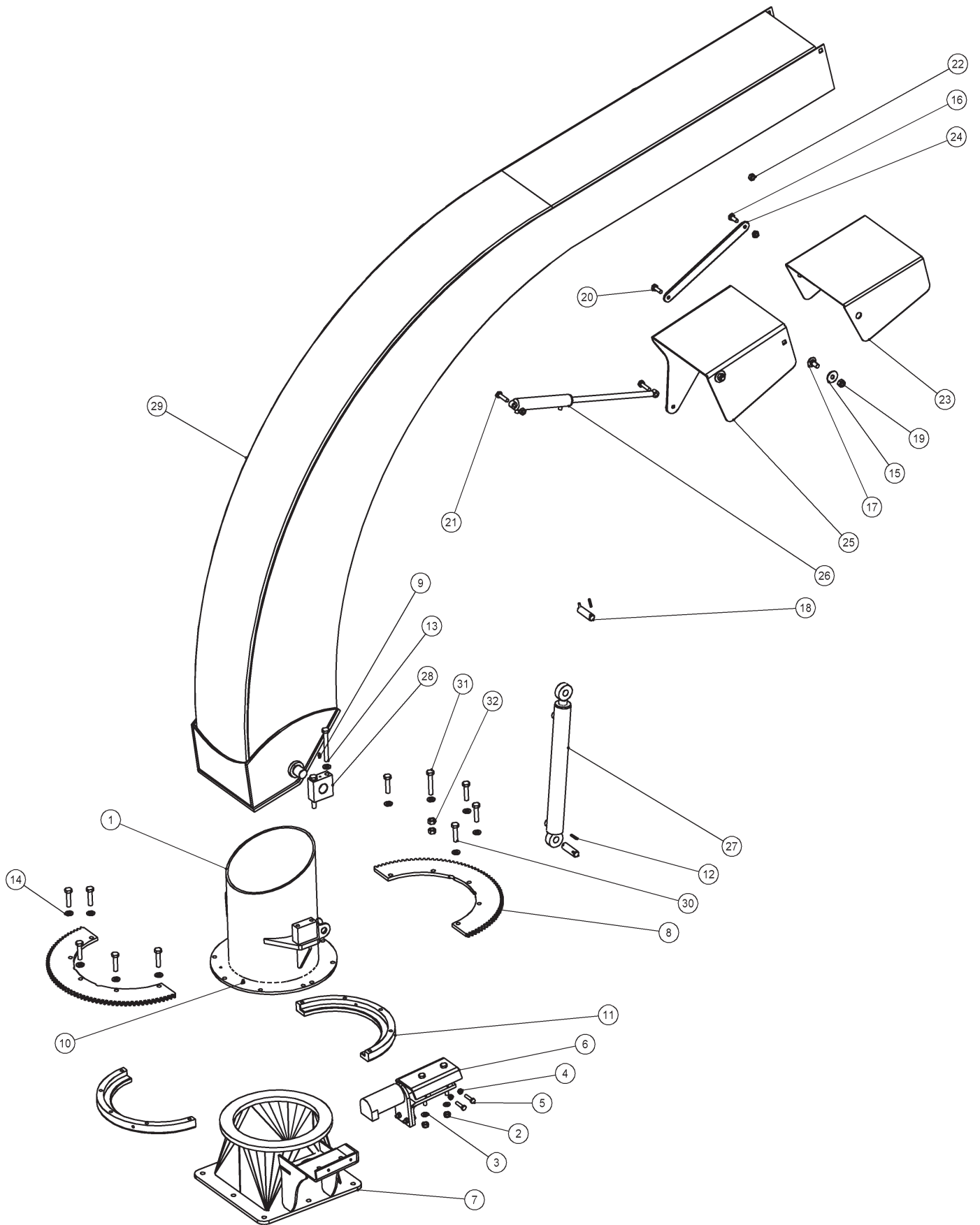
HAKKURI CHIPPER

VARAOSAKIRJA

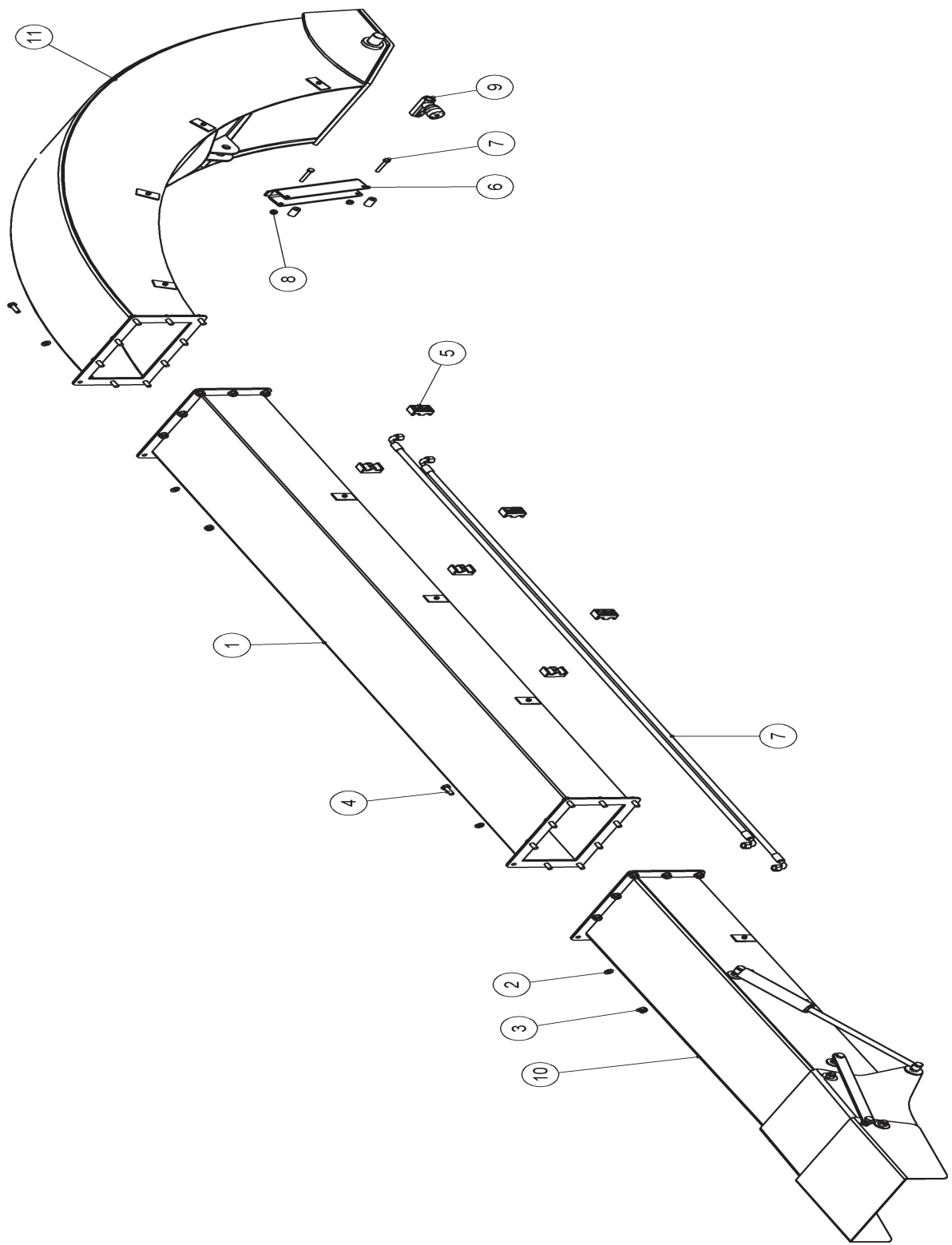
SPARE PARTS CATALOG



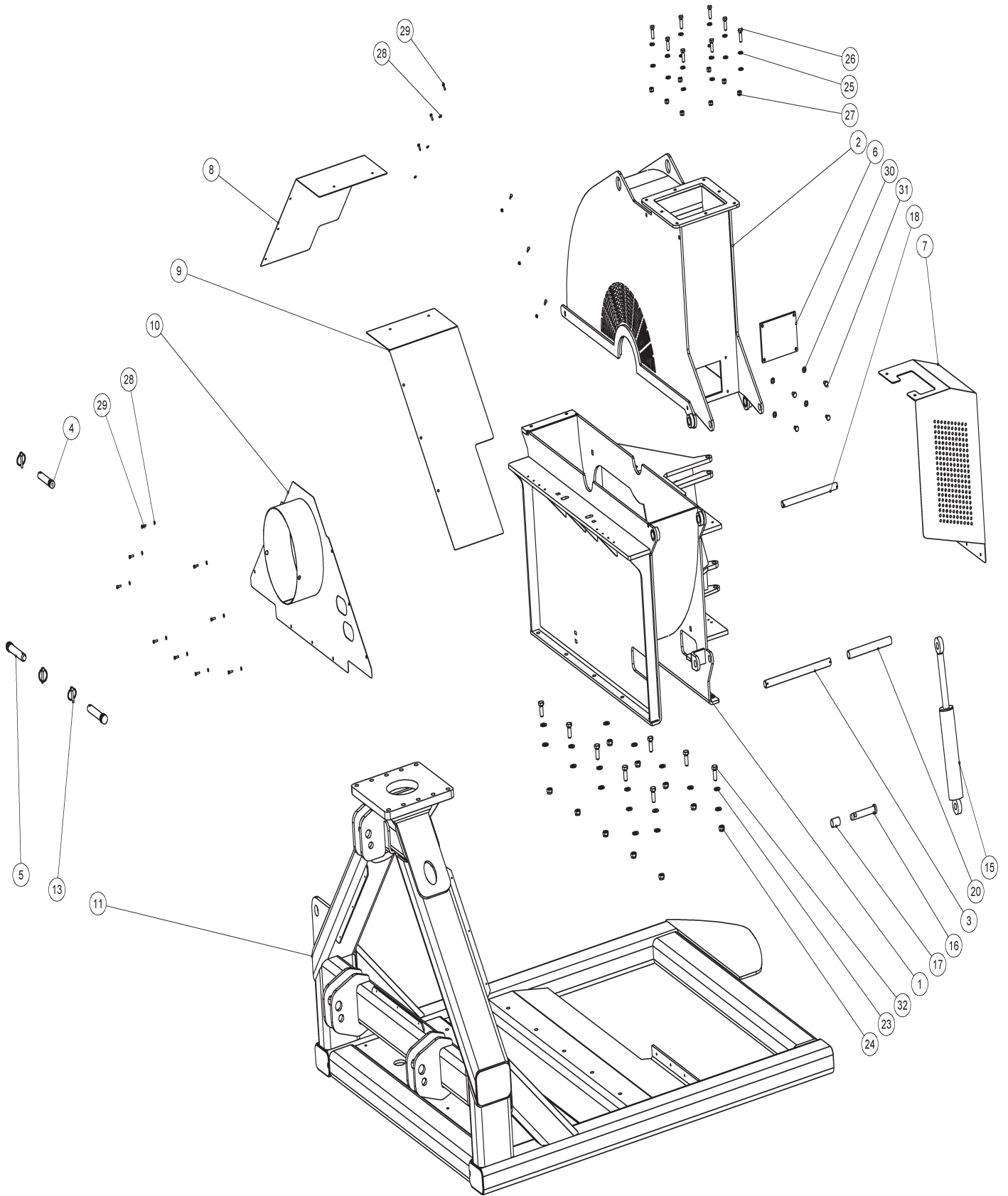
| OSA KPL PARTPCS | OSANO PIECE NO 463400 | HOODI CODE | NIMITYS DESCRIPTION ALAKAMMIO CHAMBER, BOTTOM |
|--------------------|-----------------------------|---------------|--|
| 1 | 1 | 46340 | ALAKAMMIO CHAMBER, BOTTOM |
| 2 | 1 | 46330 | TERÄLAIRKA HITSATTU HJ320 CUTTER WHEEL WELDED |
| 3 | 2 | 45397 | LAAKERIPESÄ TÄYDELLINEN BEARING UNIT |
| 4 | 1 | 46355 | ALAVASTATERÄ HJ320 BED KNIFE, HORIZONTAL |
| 5 | 1 | 46338 | SIVUVASTATERÄ HJ320 BED KNIFE, VERTICAL |
| 6 | 16 | AOG15J015 | M16X50 10.9 Din 939 Zn VAARNARUUVI STUD |
| 7 | 16 | 761221 | TERÄN ALUSLEVY WASHER |
| 8 | 16 | AGG115014 | Laip. M16 Din6923-8 Zn 6-MUTTERI NUT, HEX |
| 9 | 16 | AGA111014 | M10 Din934-8 Zn 6-MUTTERI NUT, HEX |
| 10 | 8 | B5L173024 | M20 Din125A Zn ALUSLAATTA WASHER |
| 11 | 4 | AOL301014 | M20X100 8.8 Din931 Znc 6-RUUVI SCREW, HEX |
| 12 | 4 | AGL111014 | M20 Din934-8 Zn 6-MUTTERI NUT, HEX |
| 13 | 4 | AGL113014 | IL M20 Din985-8 Zn 6-MUTTERI NUT, HEX |
| 14 | 4 | AOG1S3014 | M16X60 8.8 Din603 Zn LUKKORUUVI LOCK SCREW |
| 15 | 4 | 41691 | EPÄKESKO LAAKERINTUKI ECCENTRIC BEARING SUPPORT |
| 16 | 12 | B5G102524 | M16 Din125A Zn ALUSLAATTA WASHER |
| 17 | 4 | AGG113014 | IL M16 Din985-8 Zn 6-MUTTERI NUT, HEX |
| 18 | 8 | B580E2014 | M8 Din127B Zn JOUSIALUSLAATTA SPRING WASHER |
| 19 | 8 | A08154614 | M8X35 12.9 Din912 6-KOLORUUVI ALLEN SCREW |
| 20 | 8 | 772803 | 58/18-12 M16 ALUSLAATTA WASHER |
| 21 | 4 | AOG151524 | M16X35 8.8 Din933 Zn 6-RUUVI SCREW, HEX |
| 22 | 4 | AOG1A1514 | M16X40 8.8 Din933 Zn 6-RUUVI SCREW, HEX |
| 23 | 1 | 46397 | NO-STRESS TUNNISTELEVY HJ320 NO-STRESS IDENTIFICATION PLATE |
| 24 | 1 | 46339 | KIILAHIHNAPYÖRÄ Ø300 V-BELT PULLEY Ø300 |
| 25 | 8 | 40141 | TERÄ KNIFE |
| 26 | 1 | D47117 | URA-AKSELI ISO SPLINED SHAFT, BIG |
| 27 | 1 | 47104 | KIINNITYSLAIPPA MOUNTING FLANGE |
| 28 | 1 | B5G0U3514 | M16 Din127B Zn JOUSIALUSLAATTA SPRING WASHER |
| 29 | 1 | AOG101524 | M16X30 8.8 Din933 Zn 6-RUUVI SCREW, HEX |
| 30 | 16 | AOA2L1024 | M10X80 8.8 Din933 Zn 6-RUUVI SCREW, HEX |



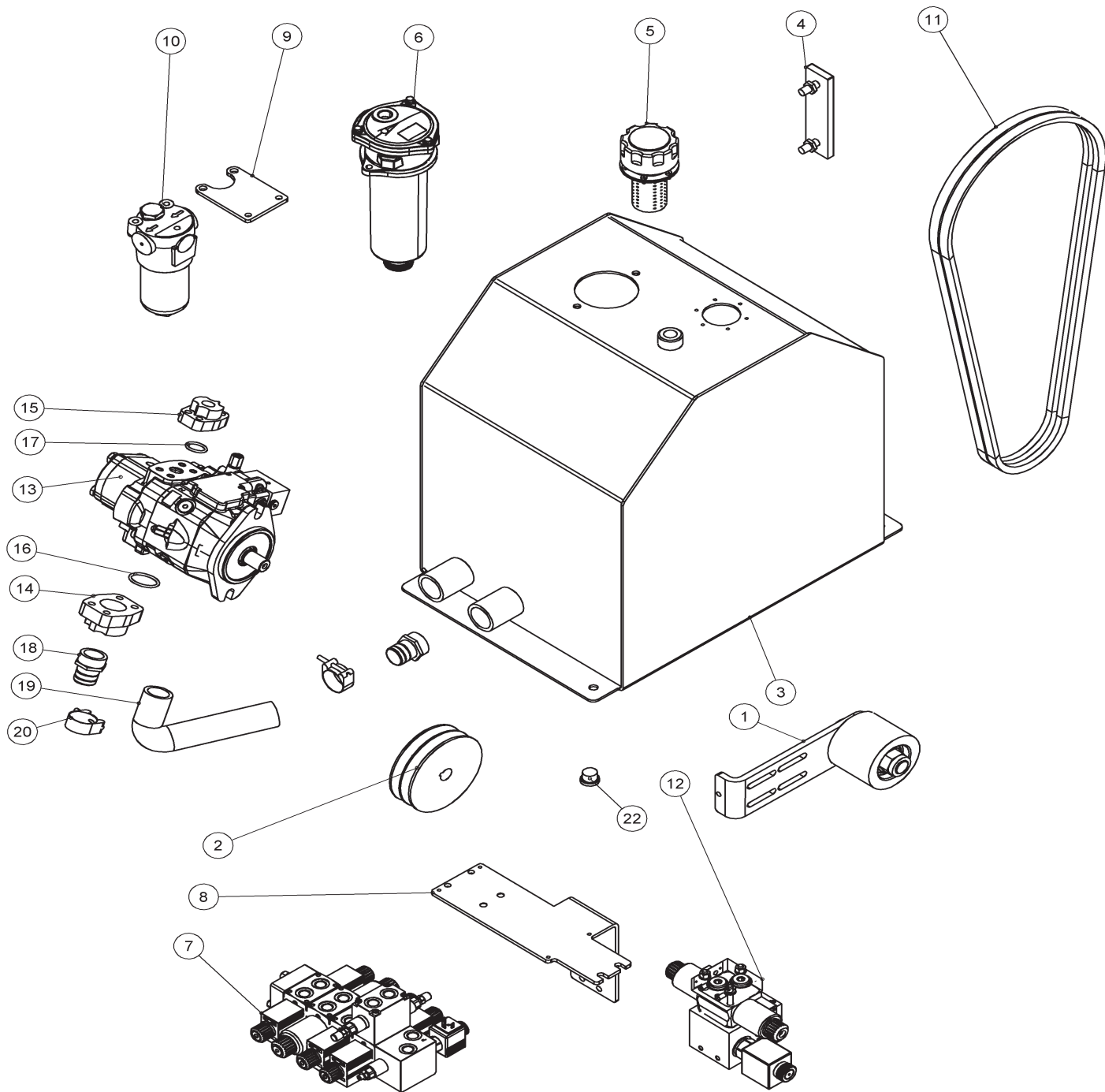
| OSA KPL PARTPCS | OSANO PIECE NO 45550 | KOODI CODE | NIMITYS DESCRIPTION TORVI KP HJ500 DISCHARGE SPOUT |
|--------------------|----------------------------|---------------|---|
| 1 | 1 | 45337 | TORVEN ALAOSA HITSATTU SPOUT, BOTTOM, WELDED |
| 2 | 2 | A51151 | Il M10 Aisi 6-Mutteri |
| 3 | 2 | B5AOMB024 | M10 Din125A Zn Nut, Hex |
| 4 | 2 | AG8111014 | M 8 Din934-8 Zn Aluslaatta |
| 5 | 2 | A08151514 | M8x35 8.8 Din 933 Zn Washer |
| 6 | 1 | 45530 | 6-Mutteri Nut, Hex |
| 7 | 1 | 45535 | 6-Ruuvi Screw, Hex |
| 8 | 2 | 45534 | Kierukkapyörä koottu Worm gear assembled |
| 9 | 2 | BJ6150400 | M6*1/Suora N 504 TORVEN LAHTÖ |
| 10 | 1 | BJ6500000 | M 8*1.25 N:O 507 Spout |
| 11 | 2 | 45348 | PANNAN PUOLISKA Hammaslevy torvenpyörytykseen |
| 12 | 4 | B850V0001 | 5X28 Din1481 Znc Chain sprocket, Spout rotating |
| 13 | 4 | AOC3A1014 | M12x100 8.8 Din931Zn Rasvanippa |
| 14 | 14 | B5COR2024 | M12 Din125A Zn Grease nipple |
| 15 | 4 | B5COR2124 | M12 Din9021 Zn Rasvanippa |
| 16 | 1 | AOAOS1524 | M10X25 8.8 Din933 Zn Grease nipple |
| 17 | 4 | AOC103014 | M12X30 4.6 Din603 Zn PANNAN PUOLISKA |
| 18 | 2 | 47222 | L 66 Clamp ring, half |
| 19 | 4 | AGC113014 | Il M12 Din985-8 Zn Jousisokka |
| 20 | 1 | AOA101524 | M10X30 8.8 Din933 Zn Split pin |
| 21 | 2 | AOA1A1524 | M10X40 8.8 Din933 Zn 6-Ruuvi |
| 22 | 4 | AGA111014 | M10 Din934-8 Zn Screw, Hex |
| 23 | 1 | 45358 | 45358 Lukkoruuvi |
| 24 | 1 | 45326 | 45326 Lock screw |
| 25 | 1 | 45357 | 45357 Sylinterin Tappi |
| 26 | 1 | 47216 | 25/16-145 Cylinder pin |
| 27 | 1 | 45423 | 40/25-300, 6-Mutteri |
| 28 | 2 | 45353 | 45353 Nut, Hex |
| 29 | 1 | 45320 | 45320 LIPPA ULOMPI HITS |
| 30 | 9 | AOC1L1524 | M12X50 8.8 Din933Zn Flap, Outer |
| 31 | 1 | AOC2A1014 | M12X70 8.8 Din933Znc VIPU |
| 32 | 2 | AGC111014 | M12 Din934-8 Zn Lever |
| | | | LIPPA SISEMPI HITS. Flap, Inner |
| | | | SYLINTERI Hydraulic cylinder |
| | | | SYLINTERI Hydraulic cylinder |
| | | | LAAKERIPESÄ Bearing housing |
| | | | PUHALLUSTORVI HITS. Discharge spout |
| | | | 6-Ruuvi Screw, Hex |
| | | | 6-Ruuvi Screw, Hex |
| | | | 6-Mutteri Nut, Hex |



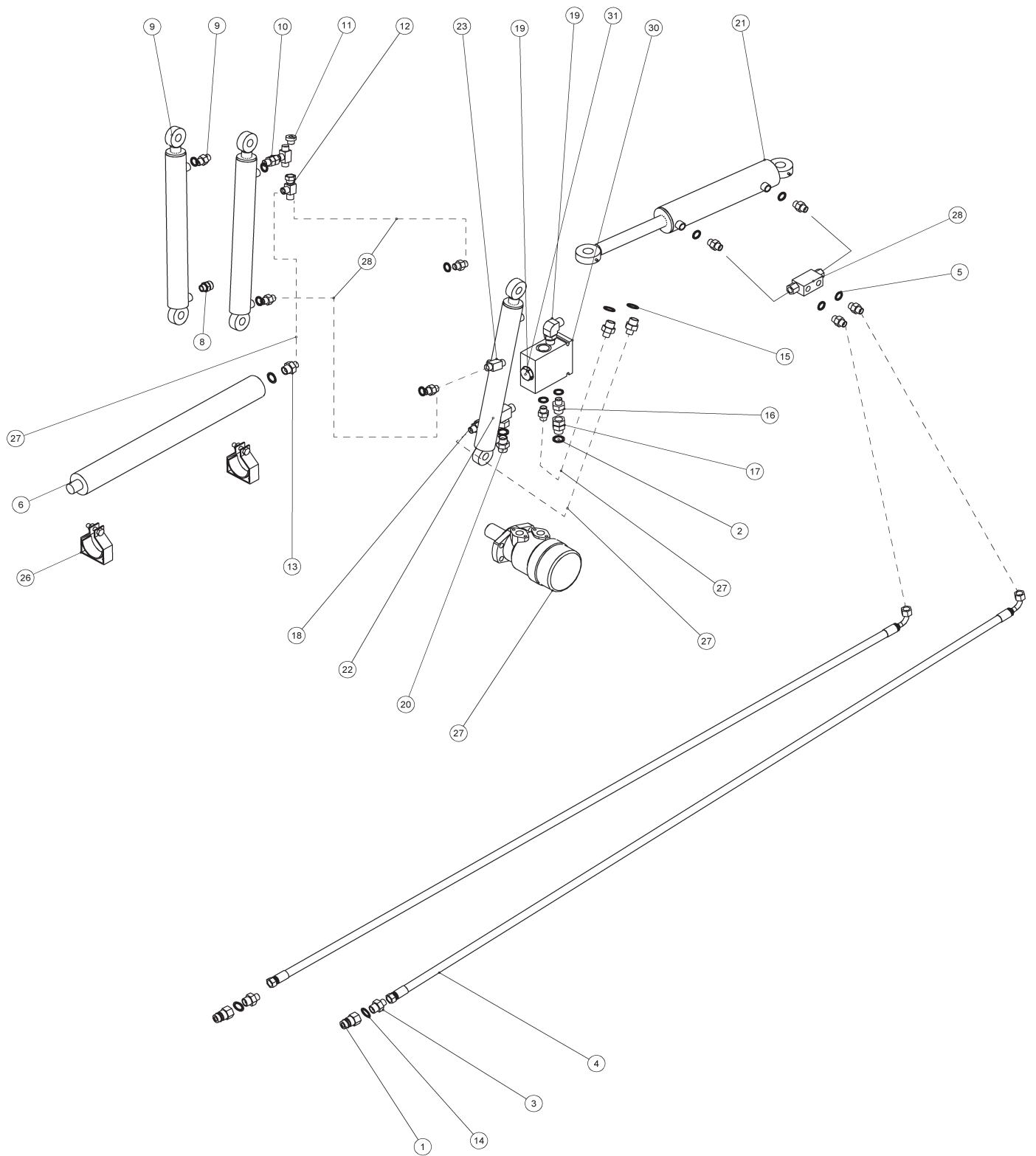
| OSA KPL | OSANO | KOODI | NIMITYS |
|---------|----------|-----------|--|
| PARTPCS | PIECE NO | CODE | DESCRIPTION |
| | 45500 | | PUHALLUSTORVI 2M JATKEELLA |
| | | | DISCHARGE SPOUT WITH 2M EXTENSION |
| 1 | 1 | 45490 | Torvenjatko Discharge spout, extension |
| 2 | 40 | B5A0MB024 | M10 Din125A Zn Aluslaatta Washer |
| 3 | 20 | AGA113014 | IL M10 Din985-8 Zn 6-Mutteri Nut, Hex |
| 4 | 20 | AOA101524 | M10X30 8.8 Din933 Zn 6-Ruuvi Screw, Hex |
| 5 | 6 | 134548P | Cf215-15 Putkenkiinnitin Muovi Pipe clamp plastic |
| 6 | 1 | 45463 | Sylinteri varren tuki Cylinder arm support |
| 7 | 2 | A081L1514 | M8X50 8.8 Din 931 Zn 6-Ruuvi Screw, Hex |
| 8 | 2 | AG8113014 | Il M 8 Din985-8 Zn 6-Mutteri Nut, Hex |
| 9 | 1 | 132211P | Vru06 3/8 Vastusvastaventtiili Resistance of the check valve |
| 10 | 1 | 45498 | Torvi kokoonpano Discharge spout |
| 11 | 1 | 45494 | Puhallustorvi kokoonpano Discharge spout |



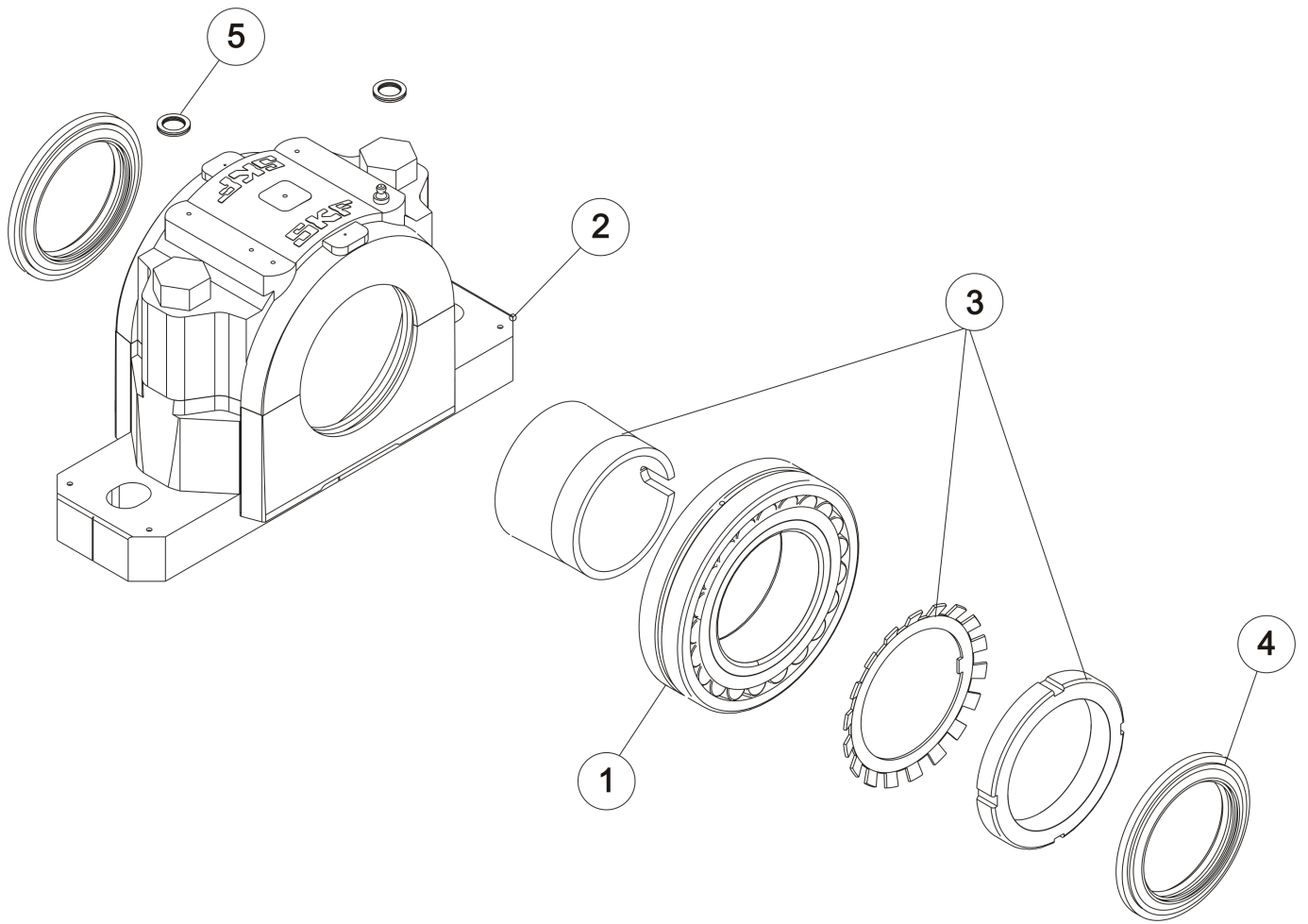
| OSA KPL | OSANO | KOODI | NIMITYS |
|-------------------|----------|-----------|--|
| PARTPCS | PIECE NO | CODE | DESCRIPTION |
| | 46320 | | METALLI OSAT HJ320 |
| MEDAL PARTS HJ320 | | | |
| 1 | 1 | 463400 | Alakammio HJ320 KP Chamber, Bottom HJ320 |
| 2 | 1 | 46350 | Ylakammio HJ320 Chamber, Top HJ320 |
| 3 | 1 | 48532 | Kammion Akseli 2014 Chamber shaft 2014 |
| 4 | 1 | 3807 | D25,4...120/135 Tappi Pin |
| 5 | 2 | 9074 | D28...145/165 Tappi Pin |
| 6 | 1 | 46416 | Peitelevy Cover plate |
| 7 | 1 | 46415 | Venttiilistönsuoja HJ320 Valve protection HJ320 |
| 8 | 1 | 46399 | Suoja Runkoon vasen HJ320 Body protection left HJ320 |
| 9 | 1 | 46398 | Suoja Runkoon oikea HJ320 Body protection right HJ320 |
| 10 | 1 | 46387 | ETUSUOJA HJ320 Front protection HJ320 |
| 11 | 1 | 46420 | HJ320 runko HJ320 Frame |
| 13 | 3 | BE8600002 | 8X45 L=040 Zn Rengas-Sokka Linchpin |
| 15 | 1 | 47915 | 60/30-200 SYLINTERI Hydraulic cylinder |
| 16 | 1 | 14888 | L 138 Sylinterin tappi Cylinder pin |
| 17 | 1 | 47487 | L=40 Holkki Sleeve |
| 18 | 1 | 46447 | D25-312 Tappi Pin |
| 20 | 1 | 46448 | L=240 Holkki Sleeve |
| 23 | 20 | B5G102524 | M16 Din125A Zn Aluslaatta Washer |
| 24 | 10 | AGG113014 | Il M16 Din985-8 Zn 6-Mutteri Nut, Hex |
| 25 | 24 | B5COR2024 | M12 Din125A Zn Aluslaatta Washer |
| 26 | 12 | AOC1A1014 | M12X40 8.8 Din933 Zn 6-Ruuvi Screw, Hex |
| 27 | 12 | AGC113014 | Il M12 Din985-8 Zn 6-Mutteri Nut, Hex |
| 28 | 15 | B560E1524 | M 6 Din125A Zn Aluslaatta Washer |
| 29 | 15 | A060L1524 | M6X20 8.8 Din 933 Zn 6-Ruuvi Screw, Hex |
| 30 | 4 | B5AOMB024 | M10 Din125A Zn Aluslaatta Washer |
| 31 | 4 | AOAOL4514 | M10X20 8.8 Din 912Zn 6-Koloruuvi Allen screw |
| 32 | 10 | AOG1F1514 | M16X45 8.8 Din933 Zn 6-Ruuvi Screw, Hex |



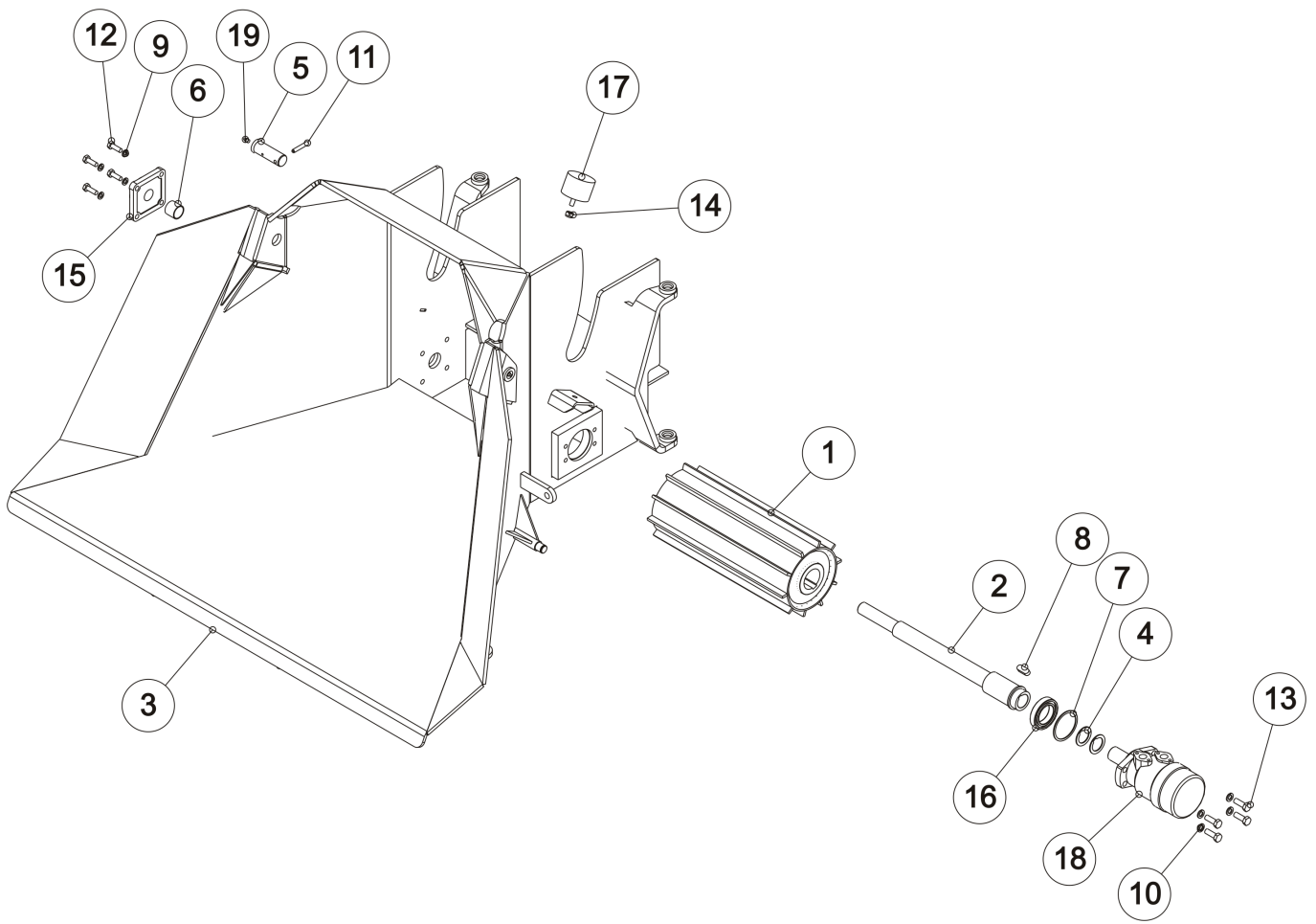
| OSA KPL | OSANO | KOODI | NIMITYS |
|----------|--------------|------------------|---|
| PART PCS | PART NO. | CODE | DESCRIPTION |
| | 48410 | | HYDRAULIÖLJYSÄILIÖ HJ320 KP HYDRAULIC OIL TANK HJ320 |
| 1 | 1 | 46440 | Hihnankiristin koottu Belt tensioner assembled |
| 2 | 1 | 47641 | PUMPUN HIIHNAPYÖRÄ V-belt pulley, pump |
| 3 | 1 | 46380 | Öljysäiliö HJ320 Oil tank HJ320 |
| 4 | 1 | 133274P | Mittalasi Lg2T 127Mm Oil level sight glass |
| 5 | 1 | D65741000 | Uc-Ab-1163-10 Huohotin/Täyttökorkki Breather/Filler cap |
| 6 | 1 | 42507 | Paluuöljynsuodatin iso Return oil filter big |
| 7 | 1 | 42503 | Lohko 4-venttiilinen HJ500 Block 4-valve HJ500 |
| 8 | 1 | 42511 | Venttiilin pidike Valve holder |
| 9 | 1 | 46394 | Painesuodattimen kiinnike Pressure filter holder |
| 10 | 1 | FMM0502BADA10NPO | PAINESUODATIN 10 µ Pressure filter 10 µ |
| 11 | 2 | 46377 | Kiilahihna B68 V-belt B68 |
| 12 | 1 | 42506 | Syötön venttiili LS The supply valve LS |
| 13 | 1 | 42505 | Pumppu LS Pump LS |
| 14 | 1 | AFS104G | SAE laippaliitin SAE flange |
| 15 | 1 | AFS100G | SAE laippaliitin SAE flange |
| 16 | 1 | HF279-20 | 39.69*3.53 NBR90 O-rengas O-ring |
| 17 | 1 | HF279-12 | 24.99*3.53 NBR90 O-rengas O-ring |
| 18 | 2 | 42508 | RA030-32-11/4 Letkukara Hose spindle |
| 19 | 1 | 134507P | 1 1/4 Imuletku Suction hose |
| 20 | 2 | 134984P | Pa-Ri 1-45 Letkukiristin Hose clamp |
| 21 | 1 | 133668P | O2608 R1/2 Kuusiokolotulppa Allen drain plug |



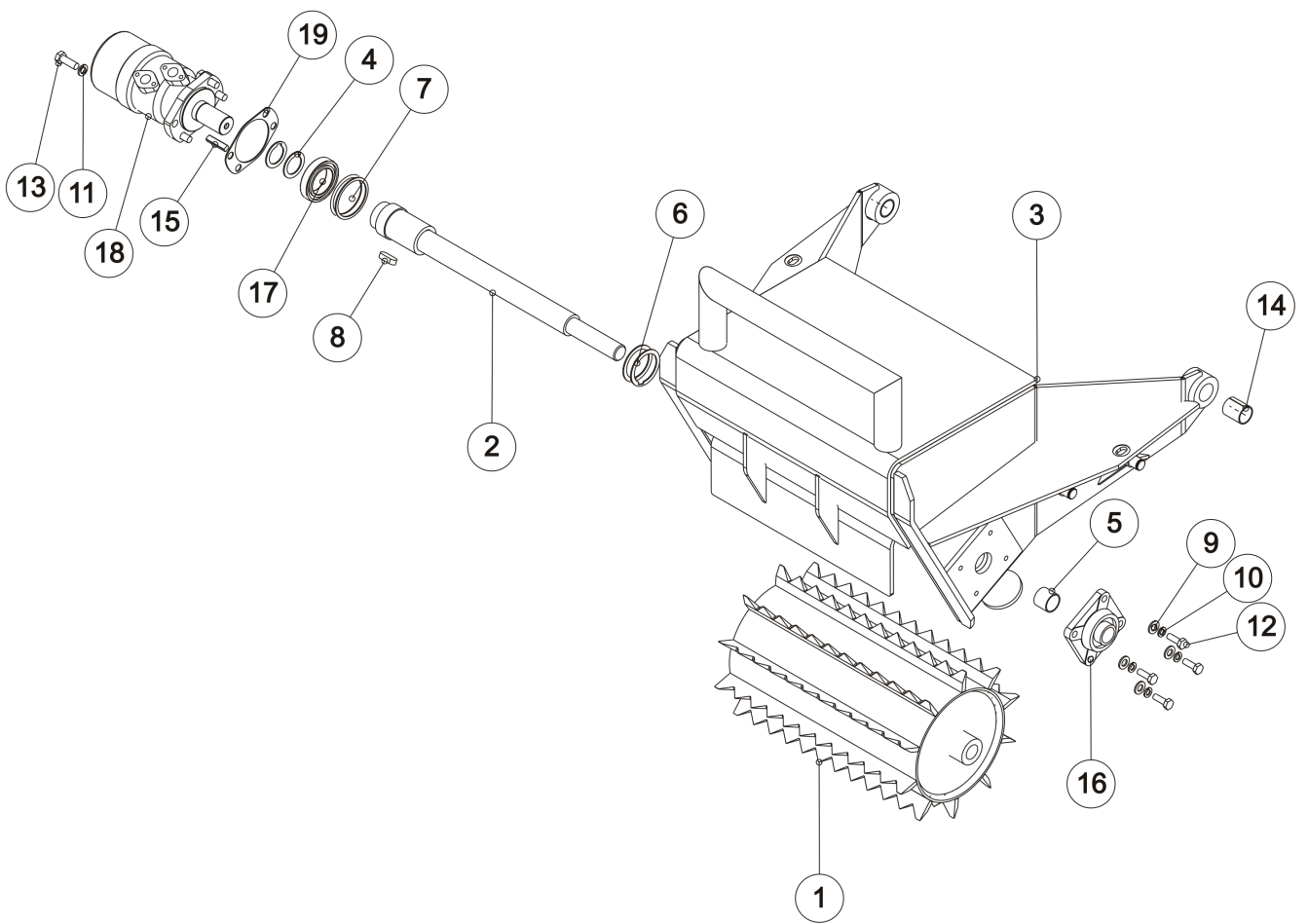
| OSA KPL | OSANO | KOODI | NIMITYS | |
|---------|----------|-----------|-----------------------------|--|
| PARTPCS | PIECE NO | CODE | DESCRIPTION | |
| | 22480 | | HYDRAULIIKKA HJ320 | |
| | | | HYDRAULIC SYSTEM | |
| 1 | 2 | 133230P | Nv-08M 1/2 | Pikaliitin Pistoke Quick coupler; Male |
| 2 | 2 | 133310P | 217-08 1/2" | Usit-Tiiviste Usit seal |
| 3 | 2 | D123841 | 1/2*3/8 2mm reikä Ø 2mm | Kuriste nippa Reducer nipple |
| 4 | 2 | 474850 | 3/8"...6000K90R3/8"S/R3/8"S | LETKU Hose |
| 5 | 11 | 133300P | 217-06 3/8 | Usit-Tiiviste Usit seal |
| 6 | 1 | D56092 | HPS10-250-50/12 Bar | PAINEAKKU Pressure accumulator |
| 7 | 3 | D56046 | 40/25-300 | Hydrauli Sylinteri Hydraulic cylinder |
| 8 | 1 | D040269 | 3/8 Tsf-2 | Huohotin Breather |
| 9 | 9 | 133220P | 201-06 3/8 | Kaksoisnippa Double nipple |
| 10 | 1 | 132144P | 705-06-06 3/8 | Yhdysnippa Connection nipple |
| 11 | 1 | D5050638 | 505-06 3/8 | Sisäkierretulppa Inner threaded plug |
| 12 | 1 | 7180606 | 718-06-06 | Suunnattava L-nippa Directed L-nipple |
| 13 | 3 | D2020612 | 202-06-12 | Supistusnippa Reducer nipple |
| 14 | 2 | 133310P | 217-08 1/2" | Usit-Tiiviste Usit seal |
| 15 | 3 | 133380P | 217-12 3/4" | Usit-Tiiviste Usit seal |
| 16 | 1 | 134460P | 3/8"-1/2" | Kaksoisnippa Double nipple |
| 17 | 1 | D30000380 | 201-8 R1/2-R1/2 | Kaksoisnippa Double nipple |
| 18 | 1 | 134460P | 3/8"-1/2" | Kaksoisnippa Double nipple |
| 19 | 1 | D701S08 | 701S-08 | Suunnattava Kulmaliitin Angle connector, Oriented |
| 20 | 1 | D30000380 | 201-8 R1/2-R1/2 | Kaksoisnippa Double nipple |
| 21 | 1 | 47915 | 60/30-200 | SYLINTERI Hydraulic cylinder |
| 22 | 1 | 24840 | 08 | T-NIPPA T-nipple |
| 23 | 2 | 133461P | 737-06 3/8 | T-Nippa T-nipple |
| 24 | 4 | D47203 | 3/8 L=900 47203 | Letkuasennus Hose |
| 25 | 2 | D47208 | 3/8 L=2000 47208 | Letkuasennus Hose |
| 26 | 2 | D56093 | | Hp 50 Kannake Hp 50 support |
| 27 | 1 | 65705600 | OMH315/35 DANF. | Hydraulimoottori Hydraulic motor |
| 28 | 1 | D56018 | 3/8 Vbd/6 | Kaksois Lukko Venttiili Double lock valve |
| 29 | 2 | D47201 | 3/8 L=3100 47201 | Letkuasennus Hose |
| 30 | 1 | 7022720 | | Virtauksenjakoventtiili Flow divider valve |
| 31 | 1 | FD5245 | | Virtauksenjakopatuuna |



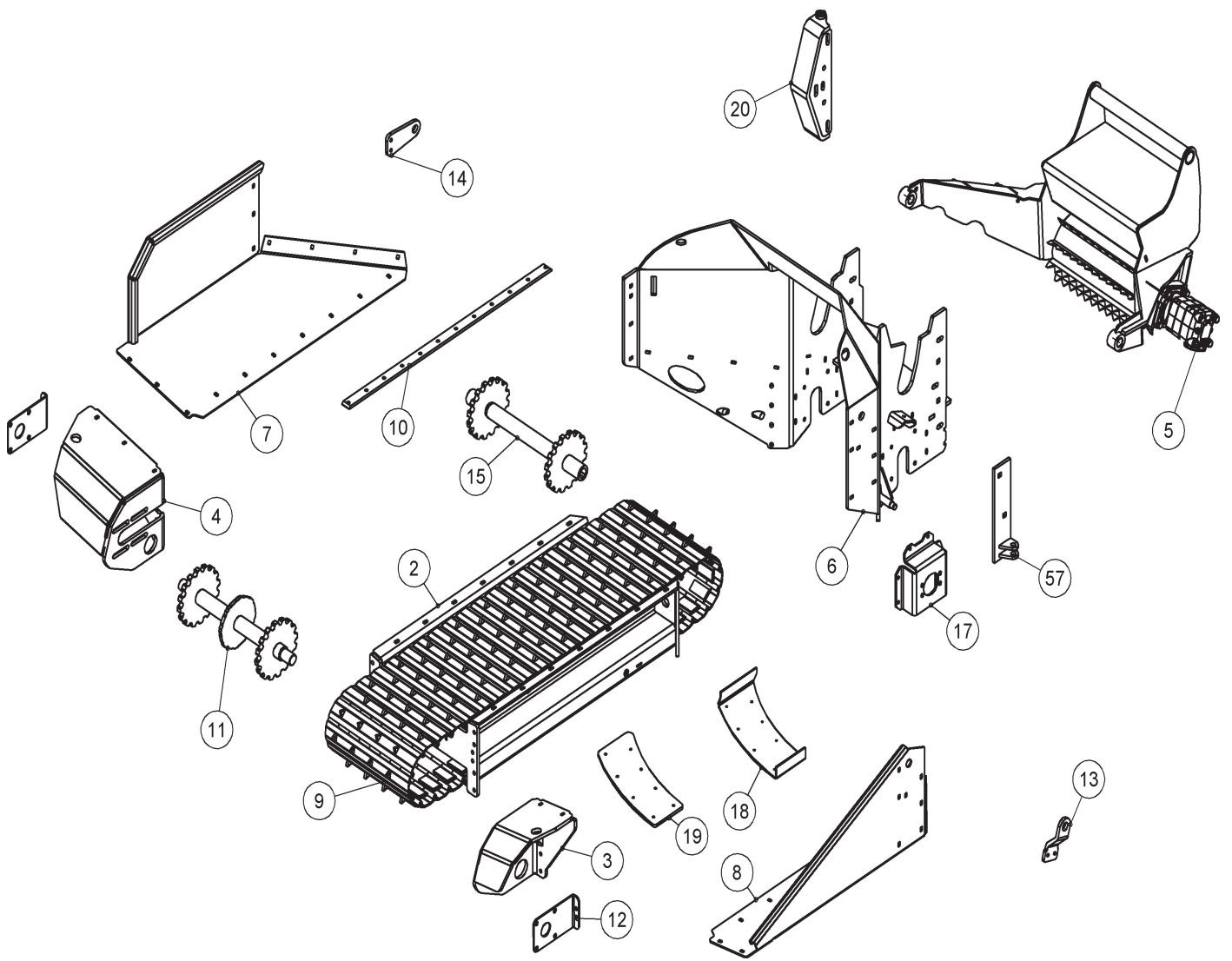
| OSA KPL PARTPCS | OSANO PIECE NO 45397 | KOODI CODE | NIMITYS DESCRIPTION LAAKERIPESÄ KOOTTU BEARING UNIT ASSEMBLED |
|--------------------|----------------------------|---------------|--|
| 1 | 1 | CE22217EK | 22217 Ek LAAKERI Bearing |
| 2 | 1 | SSNLD517 | LAAKERIPESÄ Bearing housing |
| 3 | 1 | CNH317000 | KIRISTYSHOLKKI Adapter sleeve |
| 4 | 2 | CNTSN517L | TIIVISTE Seal |
| 5 | 2 | B61266 | M12NORD ALUSLAATTA Washer |



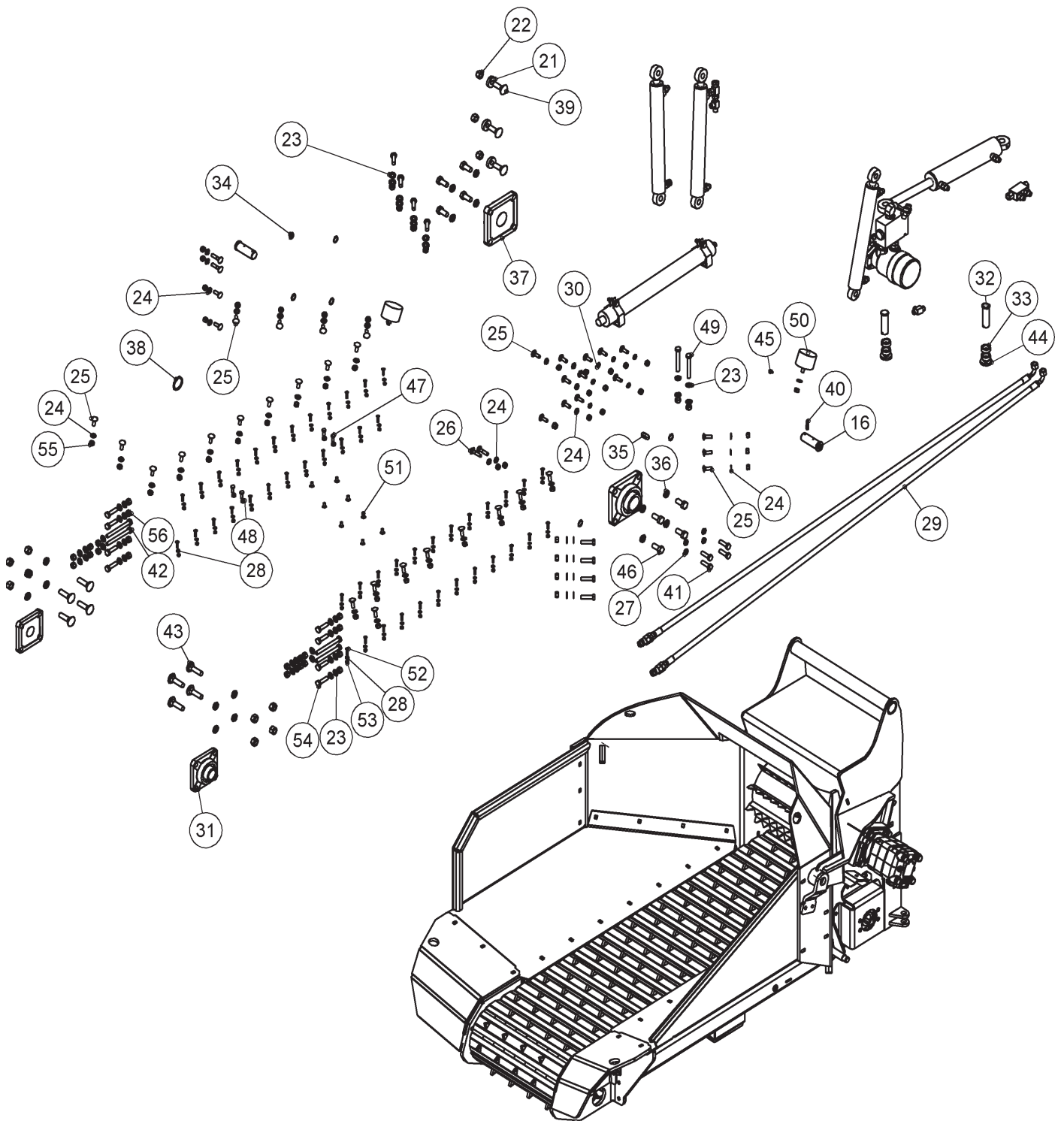
| OSA KPL | OSANO | KOODI | NIMITYS |
|---------|----------|-----------|---|
| PARTPCS | PIECE NO | CODE | DESCRIPTION |
| | 47995 | | SYÖTTÖSUPPILO KOOTTU |
| | | | FEEDER ASSEMBLED |
| 1 | 1 | 47065 | SYÖTTÖRULLA. Feed roller |
| 2 | 1 | 47070 | AKSELI ALARULLAAN Shaft, bottom roller |
| 3 | 1 | 47080a | SYÖTTÖSUPPILO Feeder |
| 4 | 2 | 32351 | 50/35,4-2 SÄÄTÖPRIKKA Washer |
| 5 | 2 | 47113 | TAPPI Pin |
| 6 | 1 | 47223 | L 29 SOVITEHOLKKI Sleeve |
| 7 | 1 | 47252 | 80/72*2 TUKIRENGAS Washer |
| 8 | 1 | 773521 | 9*14*36 KIILA Shaft key |
| 9 | 4 | B5A0H2214 | M10 JOUSIALUSLAATTA Spring washer |
| 10 | 4 | B5COM2514 | M12 JOUSIALUSLAATTA Spring washer |
| 11 | 2 | B881L0004 | 8X50 JOUSISOKKA Split pin |
| 12 | 4 | A0A101524 | M10X30 6-RUUVI Screw, Hex |
| 13 | 4 | AOC151514 | M12X35 6-RUUVI Screw, Hex |
| 14 | 2 | AGA113014 | IL M10 6-MUTTERI Nut, Hex |
| 15 | 1 | CLUCF2060 | LAIPPALAAKERI Flange bearing |
| 16 | 1 | CE60100RS | 6010 2 RS KUULALAAKERI Ball bearing |
| 17 | 2 | D40001546 | 70-50 M10 KUMITYYNY Rubber pad |
| 18 | 1 | D65705600 | OMH315 HYDRAULIMOOTTORI Hydraulic motor |
| 19 | 2 | Bj6500000 | M 8*1.25 RASVANIPPA Grease nipple |



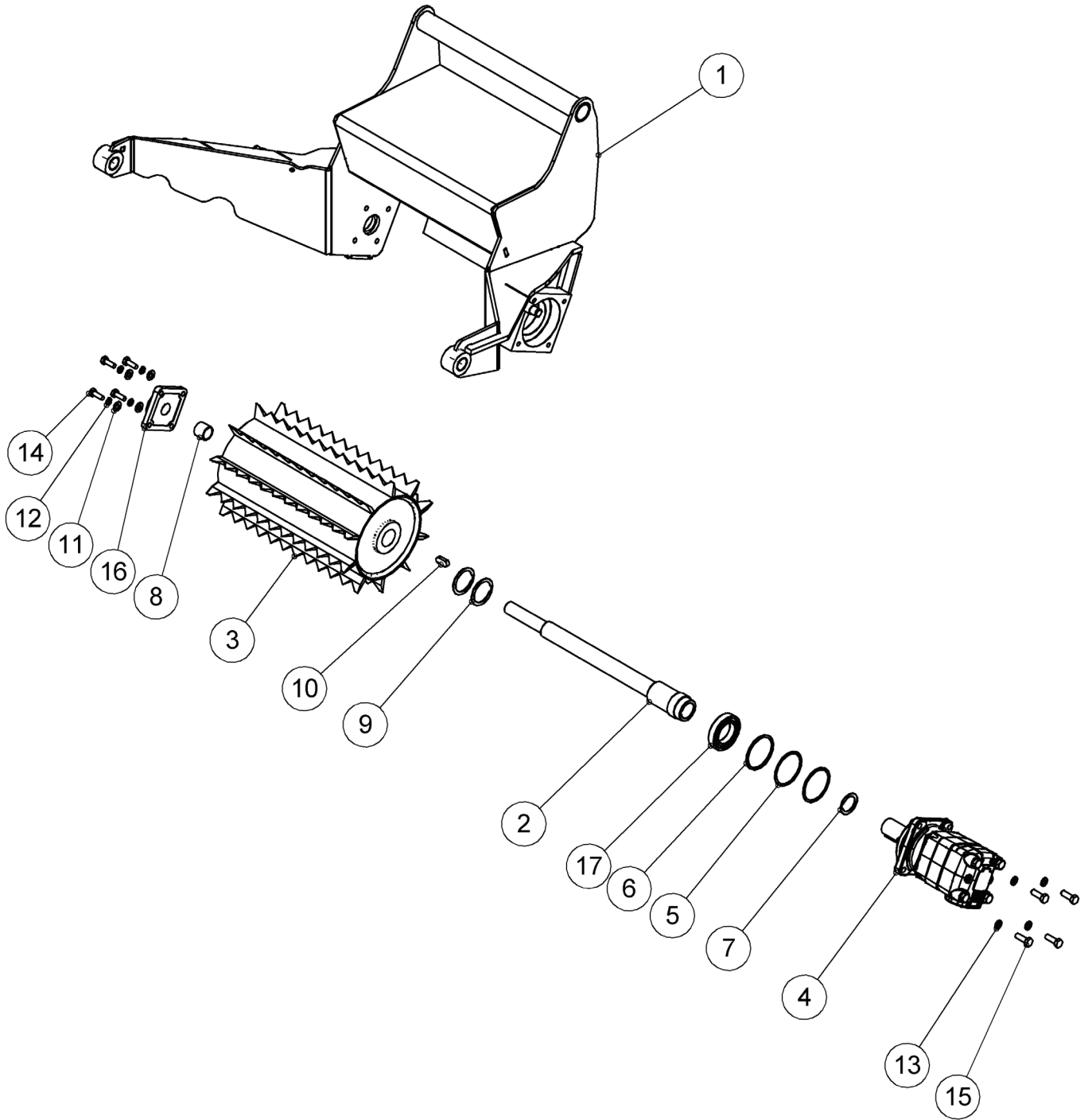
| OSA KPL | OSANO | KOODI | NIMITYS |
|---------|----------|-----------|--|
| PARTPCS | PIECE NO | CODE | DESCRIPTION |
| | 47820 | | YLÄSYÖTTÖRULLA KOOTTU TOP FEED ROLLER ASSEMBLED |
| 1 | 1 | 47060 | YLÄSYÖTTÖRULLA Top feed roller |
| 2 | 1 | 47071 | AKSELI YLÄRULLAAN Shaft, top roller |
| 3 | 1 | 47090a | SYÖTTÖLAITTEEN YLÄOSA Feeder, top part |
| 4 | 2 | 32351 | 50/35,4-2 SÄÄTÖPRIKKA Washer |
| 5 | 1 | 47223 | L 29 SOVITEHOLKKI Sleeve |
| 6 | 2 | 47251 | 67/55*2 SOVITERENGAS Washer |
| 7 | 2 | 47252 | 80/72*2 TUKIRENGAS Washer |
| 8 | 1 | 773521 | 9*14*36 KIILA Shaft key |
| 9 | 4 | B5COR2024 | M12 ALUSLAATTA Washer |
| 10 | 4 | B5A0H2214 | M10 JOUSIALUSLAATTA Spring washer |
| 11 | 4 | B5COM2514 | M12 JOUSIALUSLAATTA Spring washer |
| 12 | 4 | A0A101524 | M10X30 6-RUUVI Screw, Hex |
| 13 | 4 | A0C151514 | M12X35 6-RUUVI Screw, Hex |
| 14 | 2 | CV0303440 | LIUKULAAKERI Plain bearing |
| 15 | 1 | 47582 | KIILA 10x8x45 Shaft key |
| 16 | 1 | CLUCF2060 | LAIPPALAAKERI Flange bearing |
| 17 | 1 | CE60100RS | 6010 2 RS 1 KUULALAAKERI Ball bearing |
| 18 | 1 | D65705500 | OMH500 HYDRAULIMOOTTORI Hydraulic motor |
| 19 | 1 | 47525 | SÄÄTÖLEVY Adjusting plate |



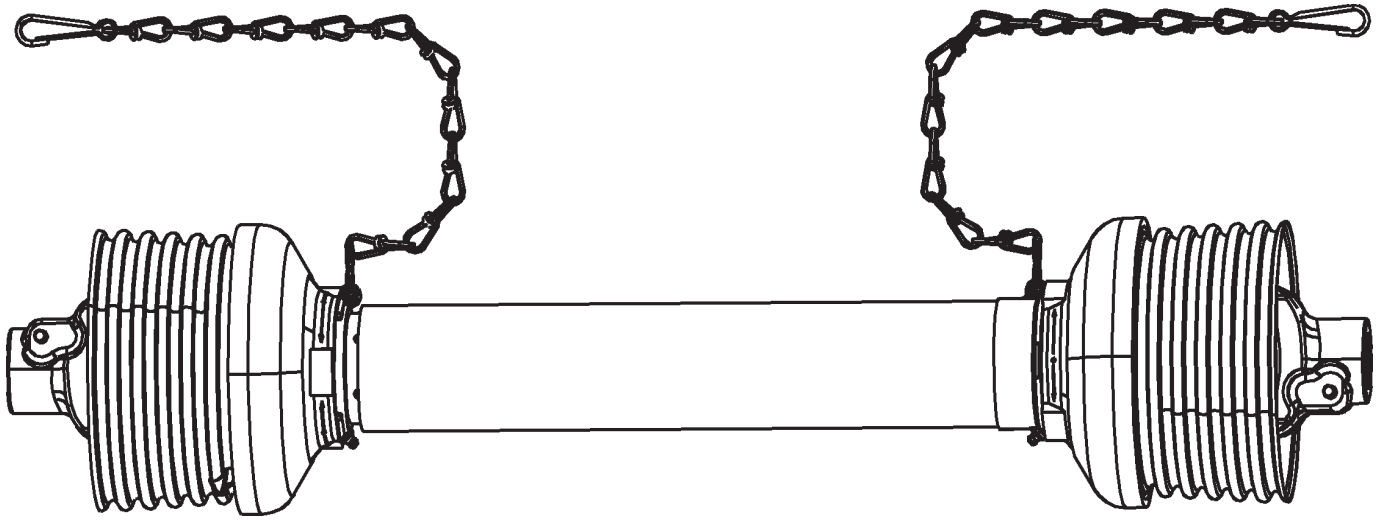
| OSA KPL | OSANO | KOODI | NIMITYS |
|---------|-------------|-------|--|
| PARTPCS | PIECE NO | CODE | DESCRIPTION |
| | 22500_VARA2 | | MATTOKULJETIN KOOTTU HJ320 CHIPPER INFEEED CONVEYOR HJ320 |
| 2 | 1 | 22283 | RUNKO HITSATTU Frame welded |
| 3 | 1 | 22354 | ETUKAARI OIKEA Front curve plate, right |
| 4 | 1 | 22353 | ETUKAARI VASEN Front curve plate, left |
| 5 | 1 | 22420 | SYÖTTÖLAITTEEN YLÄOSA Feeder, top part |
| 6 | 1 | 22359 | SYÖTTÖLAITTEEN RUNKO Feeder, frame |
| 7 | 1 | 22356 | SIVULEVY OIKEA Side plate, right |
| 8 | 1 | 22355 | SIVULEVY VASEN Side plate, left |
| 9 | 1 | 22348 | KULJETINMATTO KOOTTU Conveyor belt |
| 10 | 4 | 22358 | LIUKU Sliding rail |
| 11 | 1 | 22369 | VAPAAAKSELI HITSATTU Shaft welded |
| 12 | 2 | 22357 | LAAKERIN ALUSTA Bearing plate |
| 13 | 1 | 22297 | YLÄRULLAN KORVA VASEN Top roller mount, left |
| 14 | 1 | 22295 | YLÄRULLAN KORVA OIKEA Top scroll mount, right |
| 15 | 1 | 22370 | VETOAKSELI HITSATTU Drive shaft welded |
| 17 | 1 | 48482 | Moottorin kiinnityslevy hitsattu Motor mounting plate, welded |
| 18 | 1 | 22382 | MUOVIN KIINNITYSLEVY Mounting plate |
| 19 | 1 | 22383 | Liukumuovi Sliding plate |
| 20 | 1 | 22398 | KIINNITYSKORVAKE KAPEA Mounting plate narrow |
| 57 | 1 | 46390 | Sylinterinkorva Mounting plate, cylinder |



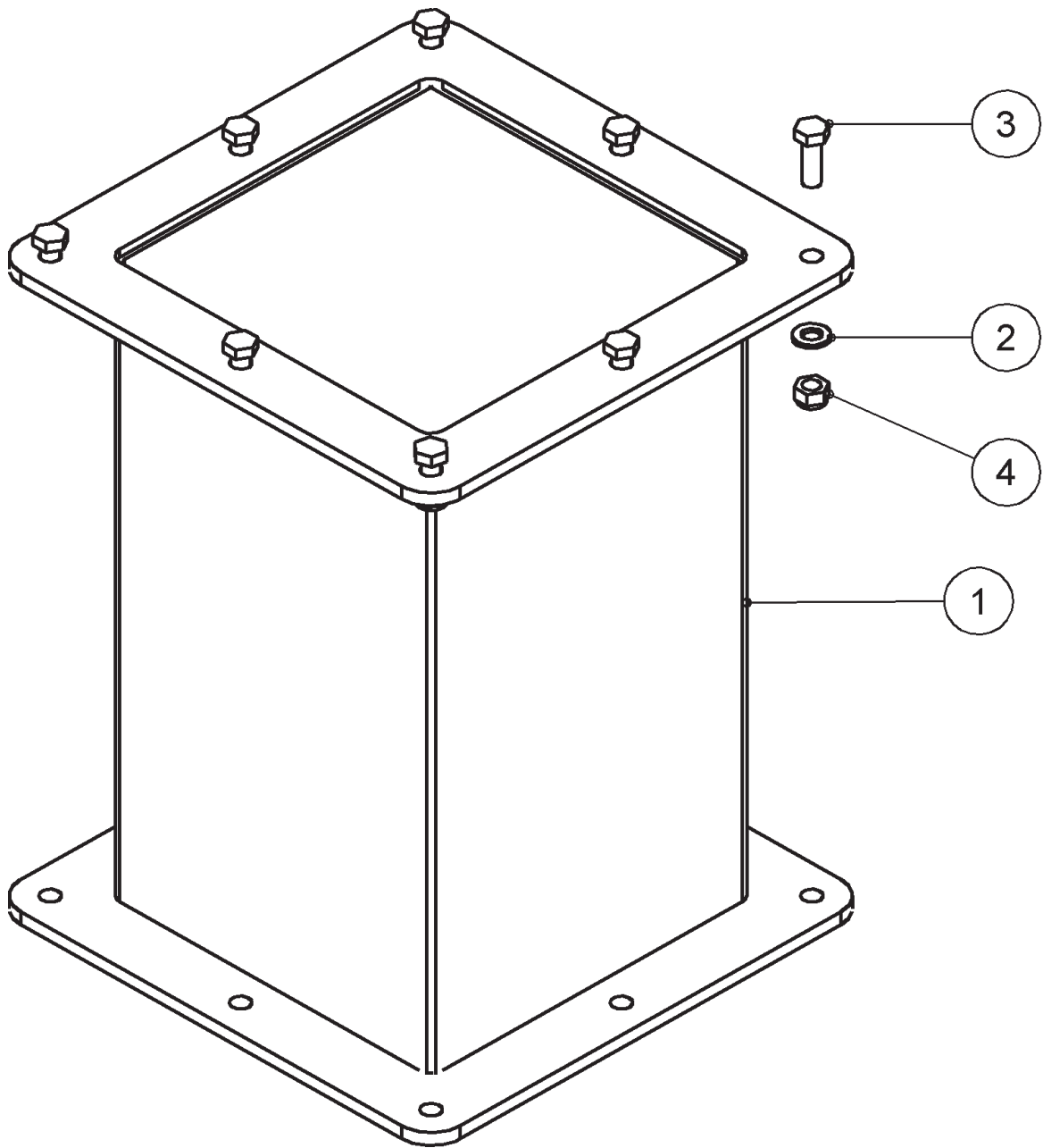
| OSA KPL | OSANO | KOODI | NIMITYS |
|---------|-------------|-----------|--|
| PARTPCS | PIECE NO | CODE | DESCRIPTION |
| | 22500_VARA1 | | MATTOKULJETIN KOOTTU HJ320 CHIPPER INFEED CONVEYOR HJ320 |
| 16 | 2 | 47113 | Yläleuan tappi syöttösuppiloon Pin for hopper |
| 21 | 3 | 761221 | terän aluslevy Washer |
| 22 | 11 | AGG113014 | Il M16 Din985-8 Zn 6-Mutteri |
| 23 | 48 | B5COR2024 | M12 Din125A Zn Nut, Hex |
| 24 | 39 | B5AOMB024 | M10 Din125A Zn Aluslaatta |
| 25 | 39 | AOA1A3017 | M10X30 4.6 Din 603 Zn Washer |
| 26 | 4 | AOA1F3014 | M10X45 8.8 Din603 Znc Aluslaatta |
| 27 | 4 | B5COM2514 | M12 Din127B Zn Washer |
| 28 | 48 | B560E1524 | M 6 Din125A Zn Lukkoruuvi |
| 29 | 1 | 22480 | Mattokuljetin hydrauliiikka HJ3 Chipper infeed conveyor hydraulic |
| 30 | 6 | B5A0H2214 | M10 Din127B Zn Jousialuslaatta |
| 31 | 2 | CLUCF2080 | Spring washer |
| 32 | 2 | 47929 | Aluslaatta |
| 33 | 4 | 47930 | Washer |
| 34 | 6 | BH0J10024 | 18X1 471 Sleeve |
| 35 | 1 | 773521 | 9*14*36 Seeger Reng Akseli |
| 36 | 16 | B5G0U3514 | M16 Din127B Zn Seeger ring |
| 37 | 2 | CLUCF211 | Jousialuslaatta Kiila Syöttörulla Akseli |
| 38 | 1 | BH1F12F24 | 45X1.75 471 Shaft key |
| 39 | 3 | A0G2F3514 | M16X40 8.8 Din603 Zn Jousialuslaatta |
| 40 | 1 | B88160001 | 8X36 Din1481 Znc Spring washer |
| 41 | 4 | A0C1A1014 | M12X40 8.8 Din933 Zn Laippalaakeri |
| 42 | 4 | A0C401014 | M12X120 8.8 Din933Zn Flange bearing |
| 43 | 8 | A0G1S3014 | M16X60 8.8 Din603 Zn Seeger reng Akseli |
| 44 | 2 | A49M20C | M20/21 Zn Din 7349 Seeger ring |
| 45 | 2 | BJ6500000 | M 8*1.25 N:O 507 Lukkoruuvi |
| 46 | 8 | A0G151524 | M16X35 8.8 Din933 Zn Lock screw |
| 47 | 4 | A080L1514 | M8X20 8.8 Din 933 Zn Jousisokka |
| 48 | 4 | A50710 | Il M8 A2 Din985 Aisi Split spring |
| 49 | 2 | A0C301514 | M12X90 8.8 Din931Znc 6-Ruuvi |
| 50 | 2 | D40001546 | D 70-50 M10 511750 Screw, Hex |
| 51 | 8 | HE6622 | M8X16 10.9Din7991 6-Ruuvi |
| 52 | 48 | A02656 | M6X25 10.9 Din7991 Screw, Hex |
| 53 | 48 | AG6111014 | M 6 Din934-8 Zn Lukkoruuvi |
| 54 | 16 | A0C1F1024 | M12X45 8.8 Din933 Zn Lock screw |
| 55 | 45 | AGA113014 | IL M10 Din985-8 Zn Aluslaatta |
| 56 | 30 | AGC113014 | Il M12 Din985-8 Zn Washer |
| | | | Rasvanippa |
| | | | Grease nipple |
| | | | 6-Ruuvi |
| | | | Screw, Hex |
| | | | 6-Ruuvi |
| | | | Screw, Hex |
| | | | 6-Mutteri |
| | | | Nut, Hex |
| | | | 6-Ruuvi |
| | | | Screw, Hex |
| | | | 6-Ruuvi |
| | | | Screw, Hex |
| | | | 6-Mutteri |
| | | | Nut, Hex |
| | | | 6-Mutteri |
| | | | Nut, Hex |



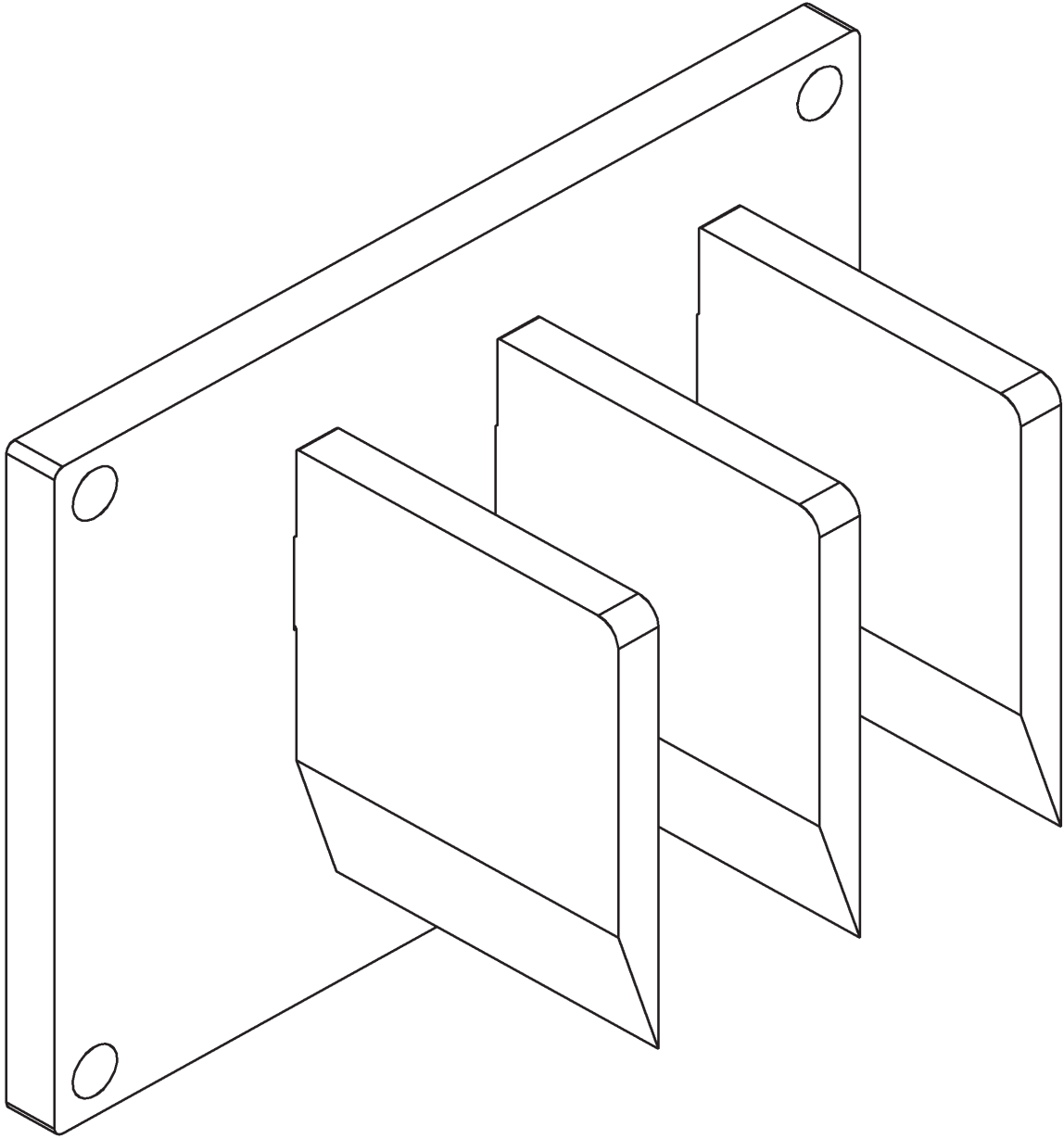
| OSA KPL | OSANO | KOODI | NIMITYS |
|---------|----------|-----------|--|
| PARTPCS | PIECE NO | CODE | DESCRIPTION |
| | 22420 | | SYÖTTÖLAITTEEN YLÄOSA INFEED TOP PART |
| 1 | 1 | 22289 | SYÖTTÖLAITTEEN YLÄOSA Infeed top part |
| 2 | 1 | 22405 | AKSELI YLÄSYÖTTÖRULLAAN Shaft for top roller |
| 3 | 1 | 47060 | YLÄ-SYÖTTÖRULLA HITSATTU Top roller welded |
| 4 | 1 | OMT315 | Hydraulimoottori Hydraulic motor |
| 5 | 2 | 45433 | 2mm SIMMILEVY Shim plate |
| 6 | 1 | 45434 | 3mm SIMMILEVY Shim plate |
| 7 | 1 | 45435 | 2mm SIMMILEVY Shim plate |
| 8 | 1 | 47223 | L 29 SOVITEHOLKKI Sleeve |
| 9 | 2 | 47251 | D 67/55*2 SOVITERENGAS Washer |
| 10 | 1 | 773521 | 9*14*36 KIILA SYÖTTÖRULLA AKSELI Shaft key |
| 11 | 4 | B5COR2024 | M12 Din125A Zn ALUSLAATTA Washer |
| 12 | 4 | B5A0H2214 | M10 Din127B Zn JOUSIALUSLAATTA Spring washer |
| 13 | 4 | B5COM2514 | M12 Din127B Zn JOUSIALUSLAATTA Spring washer |
| 14 | 4 | AOA101524 | M10X30 8.8 Din933 Zn 6-RUUVI Screw, hex |
| 15 | 4 | AOC151514 | M12X35 8.8 Din933 Zn 6-RUUVI Screw, hex |
| 16 | 1 | CLUCF2060 | Ucf 206 LAIPPALAAKERI Flange bearing |
| 17 | 1 | CE60110RS | 6011 Rs KUULALAAKERI Ball bearing |



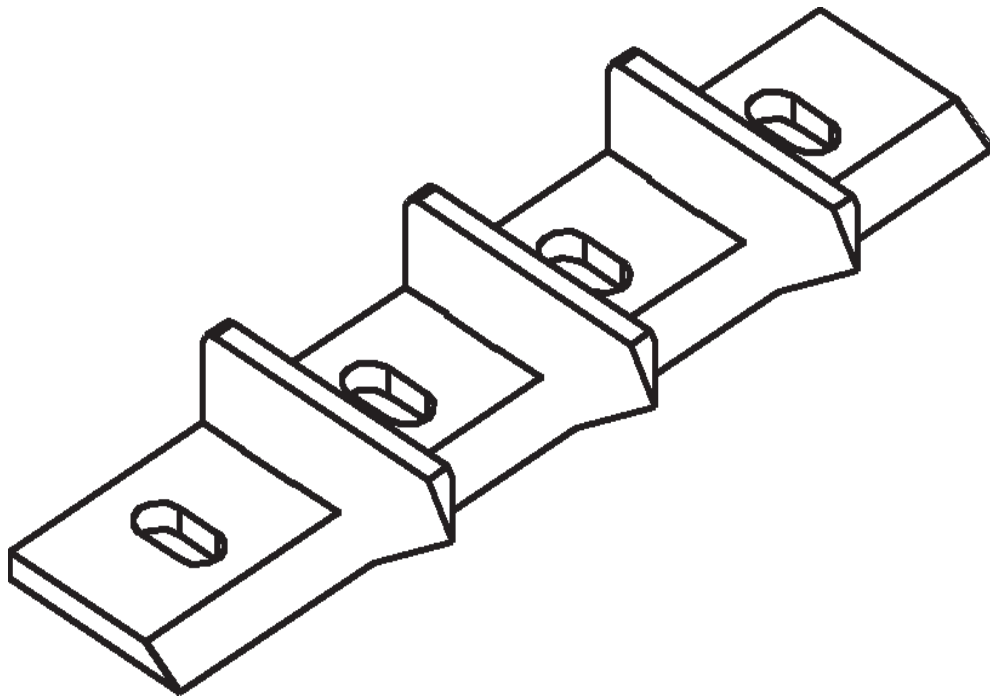
| OSA KPL PARTPCS | OSANO PIECE NO | KOODI CODE W2500-SD25U-810 | NIMITYS DESCRIPTION ENSIÖNIVELAKSELI |
|--------------------|-------------------|----------------------------------|--|
| 1 1 | 46325 | 1 3/4"-6 & 1 3/4"-6 | NIVELAKSELI PTO shaft |



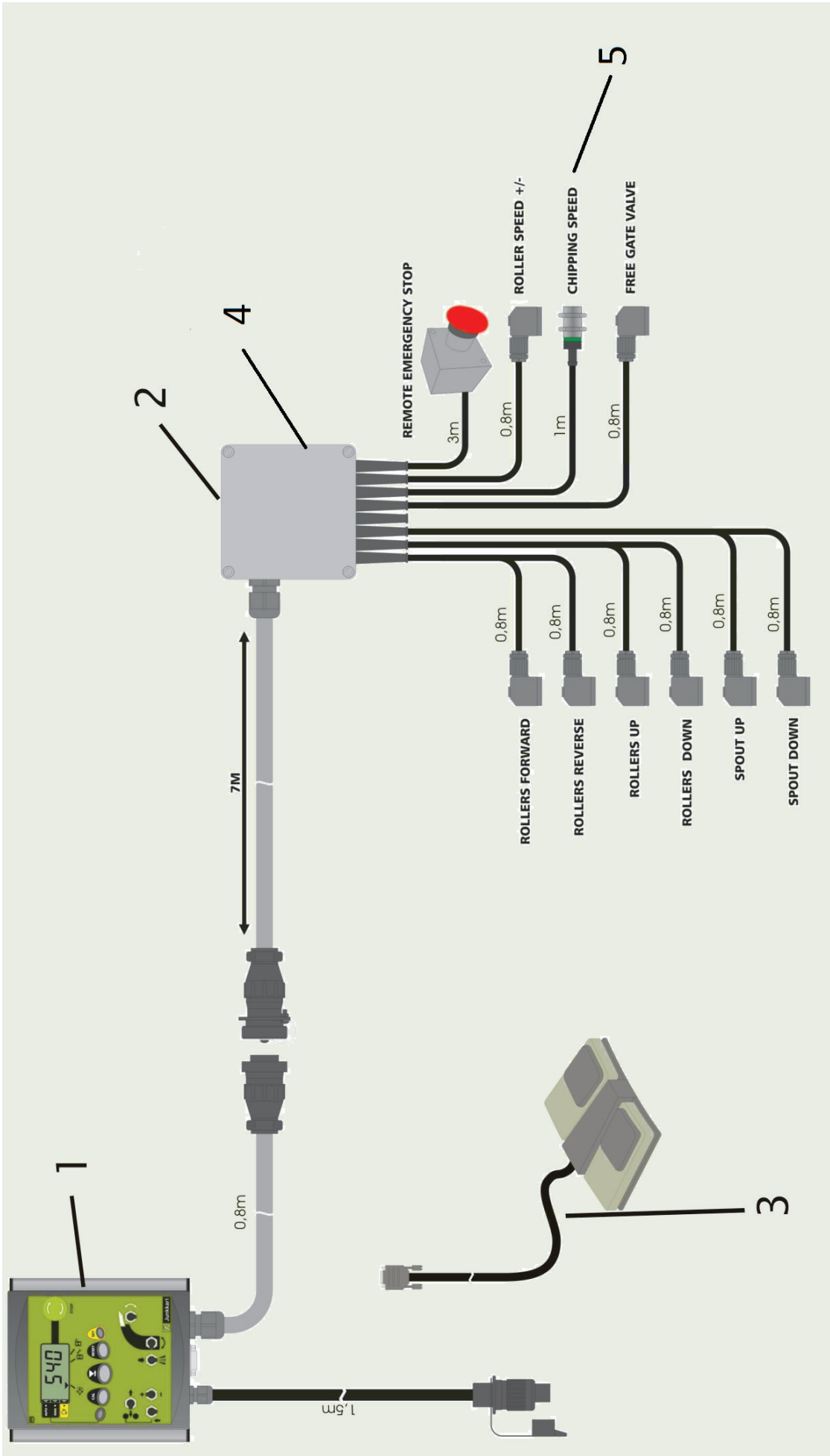
| OSA KPL | OSANO | KOODI | NIMITYS |
|---------|-----------|-----------|---------------------------------|
| PARTPCS | PIECE NO. | CODE | DESCRIPTION |
| | 471660 | | JATKOPUTKI KP EXTENSION TUBE |
| 1 | 1 | 47166 | 500mm HITSATTU |
| | | | JATKOPUTKI Extension tube |
| 2 | 8 | B5COR2024 | M12 Din125A Zn |
| | | | Aluslaatta Washer |
| 3 | 8 | AOC151514 | M12X35 8.8 Din933 Zn |
| | | | 6-Ruuvi Screw, hex |
| 4 | 8 | AGC113014 | Il M12 Din985-8 Zn |
| | | | 6-Mutteri Nut, hex |



| OSA KPL | OSANO | KOODI | NIMITYS |
|---------|-----------|-------|--|
| PARTPCS | PIECE NO. | CODE | DESCRIPTION |
| 1 | 46370 | | RISUTERÄT KAMMIOON BRUSHWOOD BLADE, CHAMBER |



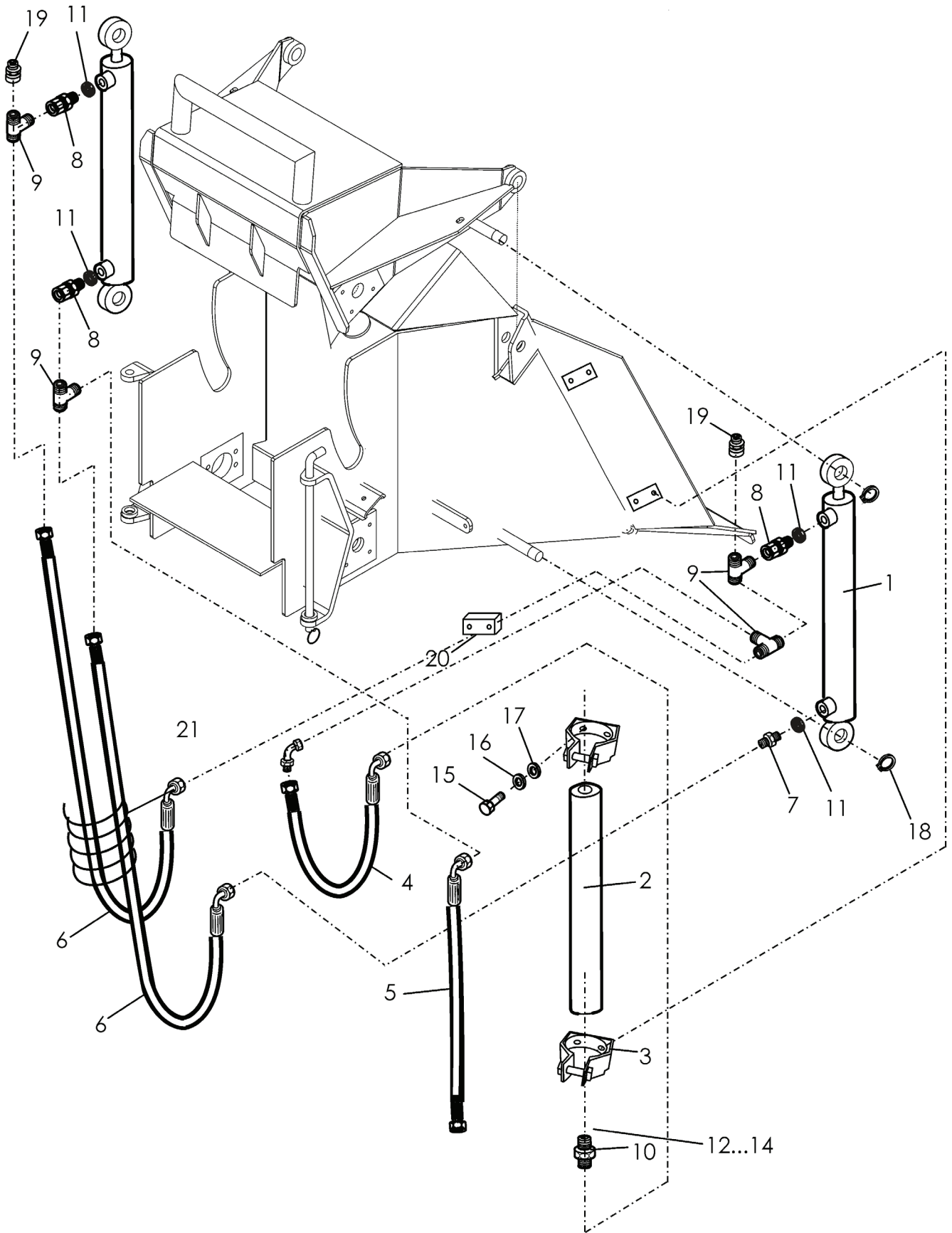
| OSA KPL | OSANO | KOODI | NIMITYS |
|----------------|------------------|--------------|---|
| PARTPCS | PIECE NO. | CODE | DESCRIPTION |
| 4 | 46450 | | RISUTERÄT LAIPPAAN BRUSHWOOD BLADE, FLANGE |



45334

Wizard C+ koko paketti

1. 45330 Näyttö
2. 45331 KytKentärasia + johdot
3. 45335 Poljin
4. P589-034 Piirilevy
5. S/Z782-113 Anturi
- (6. 45360 15 mertin jatkokaaapeli ohjaimelle)



| VIITE REF | KPL ST | OSANO DEL NR. | KOODI KODE | NIMITYS HYDR. LEUAN NOSTO (LISÄVARUSTE) | BENÄMINING HYDRAULISK LYFT (TILLÄGGSSUTRUSTNING) | DESCRIPTION HYDR. JAW LIFT (OPTIONAL) | BESCHREIBUNG HYDR. EINSATZABHEBEN (SONDERAUSSTATTUNG) |
|--------------|-----------|------------------|---------------|---|--|---|---|
| REF | QTY | PART NO | CODE | | | | |
| REF | ST | TEIL NO | CODE | | | | |
| 1 | 2 | D56046 | 40/20-300 | HYDR. SYLINTERI | HYDR. SYLINDER | HYDR. CYLINDER | HYDR. ZYLINDER |
| 2 | 1 | D56092 | HPS 50 | PAINEAKKU | HYDR. ACKUMULATOR | HYDR. ACCUMULATOR | DRUCKSAMMLER |
| 3 | 2 | D56093 | HP 50 | KANNAKE | HÄLLARE | BRACKET | HALTERUNG |
| 4 | 4 | D30288 | L=620 | LETKUASENNELMA | HYDRAULSLANG | HYDR. HOSE | HYDR. SCHLAUCH |
| 5 | 1 | D47201 | L=3100 | LETKUASENNELMA | HYDRAULSLANG | HYDR. HOSE | HYDR. SCHLAUCH |
| 6 | 2 | D47208 | L=2000 | LETKUASENNELMA | HYDRAULSLANG | HYDR. HOSE | HYDR. SCHLAUCH |
| 7 | 6 | D30000390 | 201-06 | KAKSOISNIIPPA | NIPPEL | DOUBLE NIPPLE | DOPPELNIPPEL |
| 8 | 6 | D12369 | 705-06-06 | YHDYSNIIPPA | NIPPEL | DOUBLE NIPPLE | DOPPELNIPPEL |
| 9 | 4 | D70206 | 702-06 | T-LIITIN | NIPPEL | T - NIPPLE | T - NIPPEL |
| 10 | 1 | D2020612 | 202-06-12 | SUPISTUSNIIPPA | NIPPEL | REDUCER NIPPLE | REDUZIERSTÜCK |
| 11 | 10 | D30000211 | 3/8" | USIT-TIIVISTE | USIT-TÄTNING | USIT-SEAL | USIT-DICHTUNG |
| 12 | 2 | A07552 | M10*40 | KUUSIORUUVI | SEKKANTSKRUV | SCREW, HEX | SCHRAUBE, HEX |
| 13 | 2 | AGA113014 | M10 IL | KUUSIOMUTTERI | SEKKANTMUTTER | NUT, HEX | MUTTER, HEX |
| 14 | 4 | B5A0MB024 | M10 | ALUSLAATTA | BRICKA | WASHER | SCHEIBE |
| 15 | 4 | A04100 | M8*16 | KUUSIORUUVI | SEKKANTSKRUV | SCREW, HEX | SCHRAUBE, HEX |
| 16 | 4 | B580H1624 | M8 | ALUSLAATTA | BRICKA | WASHER | SCHEIBE |
| 17 | 4 | B580E2014 | M8 | JOUSIALUSLAATTA | FJÄDERBRICKA | SPRING WASHER | FEDERSCHEIBE |
| 18 | 4 | BH0J10024 | 20*1 | SEGER | LÅSRING | CIRCLIP | SEEGERING |
| 19 | 2 | D5050638 | 505-06 3/8" | SISÄKIERRETULPPA | NIPPEL | NIPPLE | NIPPEL |
| 20 | 1 | D6C215 | CF 215-15 | KIINNITIN | FÄSTE | FASTENER | HALTERUNG |
| 21 | 1 | D55115 | SS 32-1000 | SUOJASPIRAALI | SUDD | COVER SPIRAL | SPIRALE |

Junkkari
Part of the MSK Group

A GOOD WAY TO
**WORK
HARD**