

Junkkari



A GOOD WAY TO WORK HARD

**JUNKKARI S-M-D
COMBI DRILLS
SPARE PARTS CATALOGUE**

SISÄLTÖ

| | |
|--|-----------|
| 1 Säiliö | 6 |
| 1.1 Säiliö SMD, lannoite samaan riviin | 6 |
| 1.2 Koneisto SMD, lannoite samaan riviin | 10 |
| 1.3 Säiliö SM, lannoite eri riviin | 13 |
| 1.4 Koneisto SM, lannoite eri riviin | 16 |
| 1.5 Säiliö SMD, seed | 18 |
| 1.6 Koneisto SMD, seed | 20 |
| 1.7 Vaihdelaatikko, siemen | 22 |
| 1.8 Vaihdelaatikko, lannoite | 23 |
| 1.9 Maapyörä | 24 |
| 1.10 Syöttökotelo, siemen | 26 |
| 1.11 Syöttökotelo, lannoite | 27 |
| 1.12 Ruiskutusurakytkin | 28 |
| 2 Runko ja vantaat | 30 |
| 2.1 Runko S, lannoite eri riviin | 30 |
| 2.1.1 Lannoitevannas, s-piikki | 32 |
| 2.1.2 Lannoitevannas, s-kaksoiskiekko | 33 |
| 2.1.3 Lannoitevannas, kumipatukka | 34 |
| 2.2 Runko S, combi | 36 |
| 2.3 Runko S, seed | 38 |
| 2.4 Siemenvannas S | 40 |
| 2.5 Vannaspainatuksen keskussäätö S, mekaaninen | 41 |
| 2.6 Vannaspainatuksen keskussäätö S, hydraulinen | 42 |
| 2.7 Runko M, lannoite eri riviin/seed | 44 |
| 2.7.1 Lannoitevantaisto M | 46 |
| 2.7.2 Lannoitevannas M | 48 |
| 2.8 Runko M, combi | 50 |
| 2.9 Siemenvannas M | 52 |
| 2.10 Vannaspainatuksen keskussäätö M | 53 |
| 2.11 Runko D | 54 |
| 2.11.1 Vannas D | 56 |
| 2.12 Vetolaite S | 58 |
| 2.13 Vetolaite SMD | 60 |
| 3 Jyräpyörästä | 62 |
| 3.1 Jyräpyörästäön runko SMD | 62 |
| 3.2 Jyräpyörästäön keinu SMD | 64 |
| 3.3 Jyräpyörästäön sylinteri ja huoltotuki | 66 |
| 3.4 Jälkihara SMD | 68 |
| 4 Ajotietokone | 70 |
| 4.1 Komponentit | 70 |
| 4.2 Pinta-alamittari | 72 |
| 5 Vetoaisa | 73 |
| 5.1 Vetoaisa S, vetokoukulle | 73 |
| 5.2 Vetoaisa S, vetokidalle | 73 |
| 5.3 Vetoaisa S, pakkerille | 74 |
| 5.4 Vetoaisa SMD, vetokoukulle | 75 |
| 5.5 Vetoaisa SMD, pakkerille | 76 |
| 5.6 Vetoaisojen letkutukset | 77 |

| | |
|-------------------------------------|-----------|
| 5.7 Pakkeri pieni SMD | 78 |
| 5.8 Pakkeri iso SMD | 80 |
| 6 Lisävarusteet | 82 |
| 6.1 Etulata SMD, 1-rivinen | 82 |
| S-piikkimuokkain MD, 1-rivinen | 82 |
| 6.2 Etulata MD, 2-rivinen | 84 |
| S-piikkimuokkain MD, 2-rivinen | 84 |
| 6.3 Kiekkomuokkain MD | 86 |
| 6.3.1 Kiekkomuokkain | 88 |
| 6.4 Rivimerkitsin SMD | 90 |
| 6.5 Rivimerkitsimen pää | 93 |
| 6.6 Piensiemennaite SMD, säiliö | 94 |
| 6.7 Piensiemennaite SMD, koneisto | 96 |
| 6.8 Siemenseulat SMD | 98 |
| 6.9 Puolenkoneen sulku | 99 |
| 6.10 Lisäosat kuljetusta varten SMD | 100 |

CONTENTS

| | |
|--|-----------|
| 1 Hopper | 6 |
| 1.1 Hopper SMD, fert into the same row | 6 |
| 1.2 Gear SMD, fert into the same row | 10 |
| 1.3 Hopper SM, fert into a separate row | 13 |
| 1.4 Gear SM, fert into a separate row | 16 |
| 1.5 Hopper SMD, seed | 18 |
| 1.6 Gear SMD, seed | 20 |
| 1.7 Gearbox, seed | 22 |
| 1.8 Gearbox, fertilizer | 23 |
| 1.9 Friction wheel | 24 |
| 1.10 Feeding hopper, seed | 26 |
| 1.11 Feeding hopper, fertilizer | 27 |
| 1.12 Tramline switch | 28 |
| 2 Frame and coulters | 30 |
| 2.1 Frame S, fert into a separate row | 30 |
| 2.1.1 Fert coulter, s-tine | 32 |
| 2.1.2 Fert coulter, s-double-disc coulter | 33 |
| 2.1.3 Fert coulter, rubber stick | 34 |
| 2.2 Frame S, combi | 36 |
| 2.3 Frame S, seed | 38 |
| 2.4 Seed coulter S | 40 |
| 2.5 Central adjustment of the coulter pressure S, mechanical | 41 |
| 2.6 Central adjustment of the coulter pressure S, hydraulic | 42 |
| 2.7 Frame M, fert into a separate row/seed | 44 |
| 2.7.1 Fertilizer coulter | 46 |
| 2.7.2 Fertilizer coulter M | 48 |
| 2.8 Frame m, combi | 50 |
| 2.9 Seed coulter M | 52 |
| 2.10 Central adjustment of the coulter pressure M | 53 |
| 2.11 Frame D | 54 |
| 2.11.1 Coulter D | 56 |
| 2.12 Drawbar S | 58 |
| 2.13 Drawbar SMD | 60 |
| 3 Wheel set | 62 |
| 3.1 Frame of the wheel set SMD | 62 |
| 3.2 Rocker shaft of the wheel set SMD | 64 |
| 3.3 Cylinder maintenance support of the wheel set | 66 |
| 3.4 Following harrow SMD | 68 |
| 4 Control unit | 70 |
| 4.1 Components | 70 |
| 4.2 Surface area meter | 72 |
| 5 Draw boom | 73 |
| 5.1 Draw boom S, for towing hook | 73 |
| 5.2 Draw boom S, for maw | 73 |
| 5.3 Draw boom S, for packer | 74 |
| 5.4 Draw boom SMD, for tow bar | 75 |
| 5.5 Draw boom SMD, for packer | 76 |
| 5.6 Hoses of the draw booms | 77 |

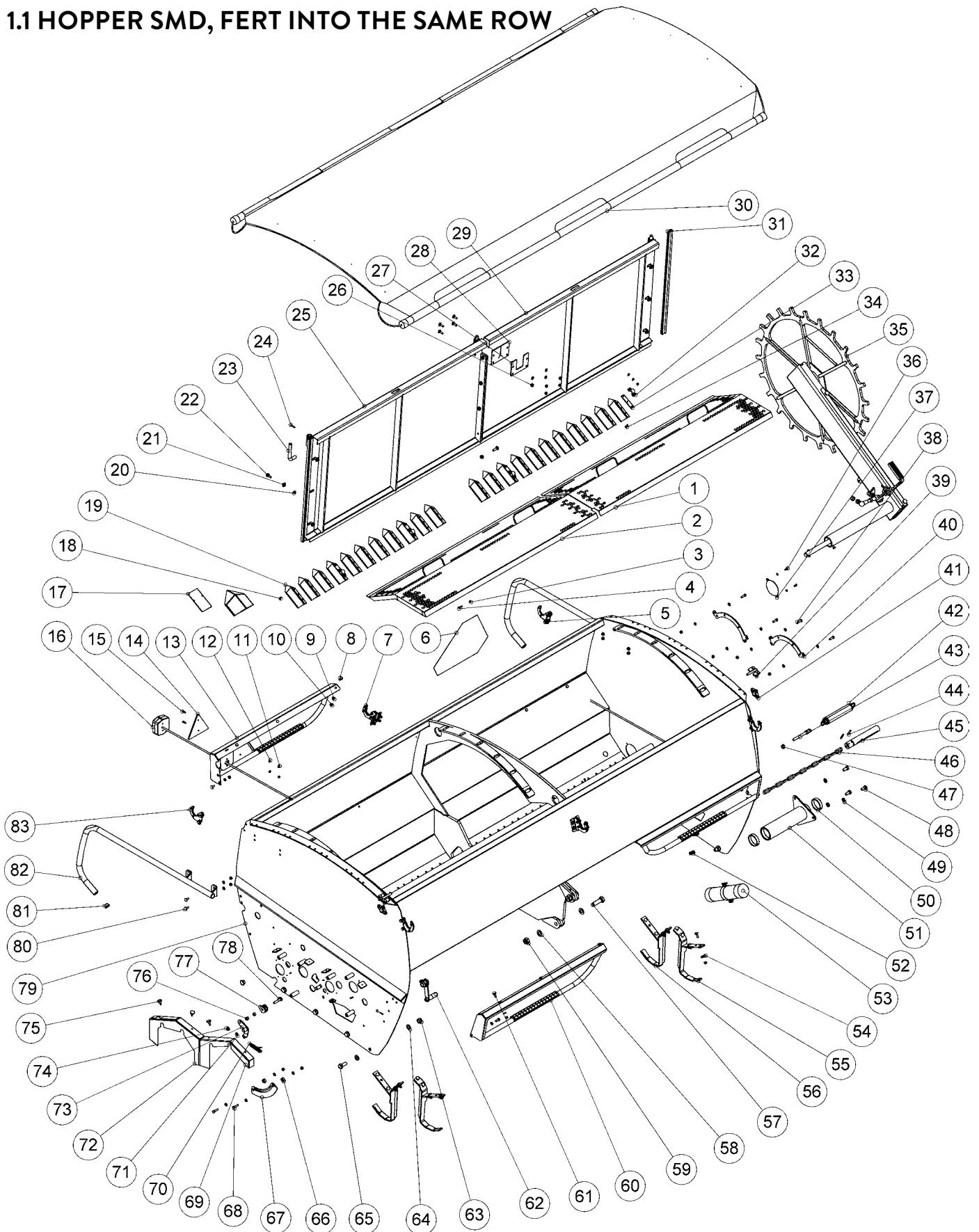
| | |
|---------------------------------------|-----------|
| 5.7 Packer small SMD | 78 |
| 5.8 Packer big SMD | 80 |
| 6 Accessories | 82 |
| 6.1 Front leveller SMD, 1-row | 82 |
| S-tine MD, 1-row | 82 |
| 6.2 Front leveller, 2-row | 84 |
| S-tine MD, 2-row | 84 |
| 6.3 Disc cultivator MD | 86 |
| 6.3.1 Disc cultivator | 88 |
| 6.4 Trackmarker SMD | 90 |
| 6.5 Trackmarker disc | 93 |
| 6.6 Small seed device SMD, hopper | 94 |
| 6.7 Small seed device SMD, gear | 96 |
| 6.8 Sieves for seed SMD | 98 |
| 6.9 Half close | 99 |
| 6.10 Accessories for transporting SMD | 100 |

1 SÄILIÖ

1 HOPPER

1.1 SÄILIÖ SMD, LANNOITE SAMAN RIVIIN

1.1 HOPPER SMD, FERT INTO THE SAME ROW



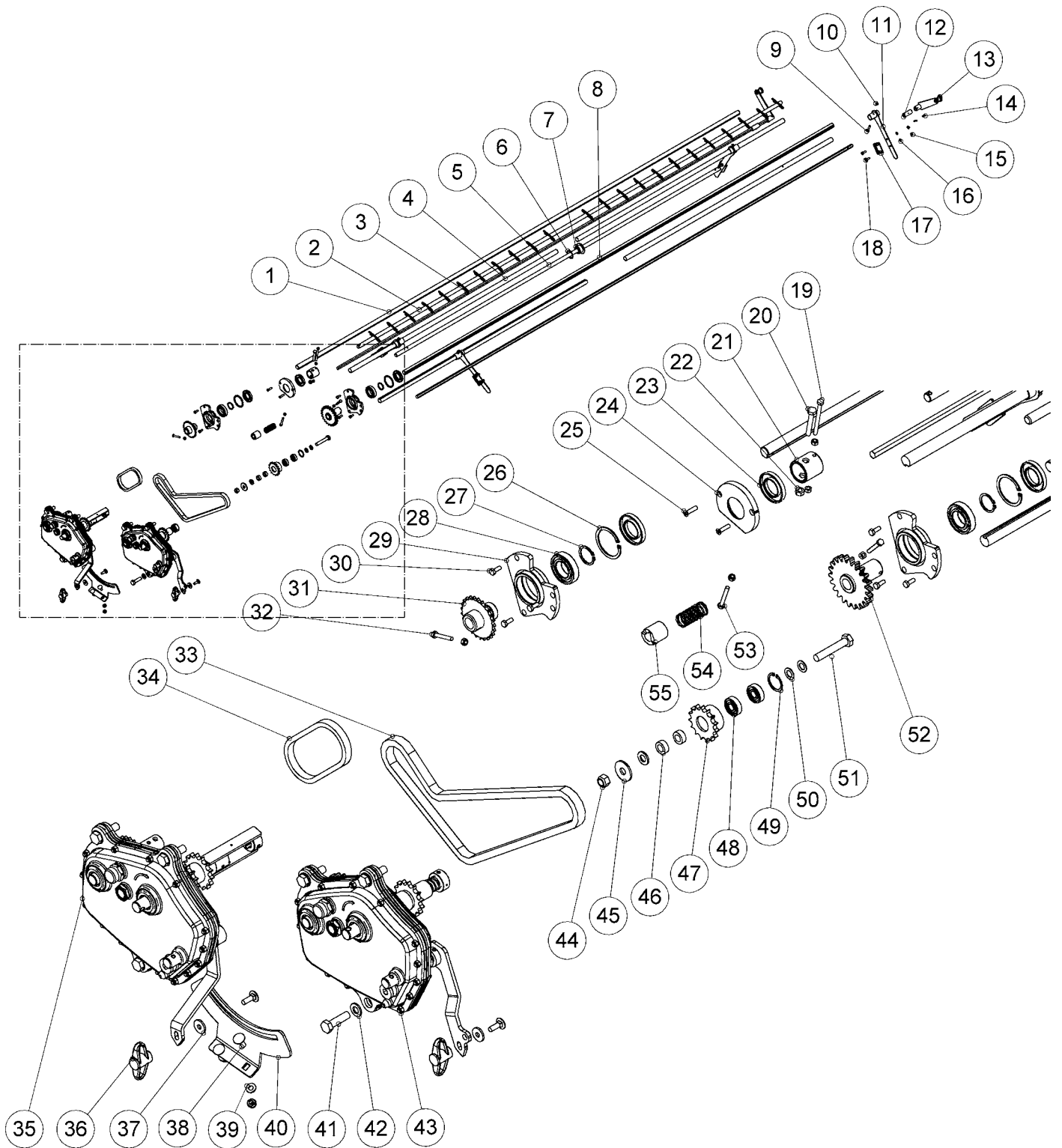
| OSA PART | KOODI CODE | NIMITYS | DESCRIPTION | SM300 | | SM400 | | D300 | | D400 | |
|-------------|---------------|----------------------------------|-------------------------|-------|------|-------|------|------|------|------|------|
| | | | | ECO | PLUS | ECO | PLUS | ECO | PLUS | ECO | PLUS |
| 1 | 31864 | LANN. SEULA VAS. 300 SAMARIVI | SIEVE, FERTILIZER LEFT | 1 | 1 | | | 1 | 1 | | |
| | 31921 | SEULA LANN.PUOLI KP VAS. | SIEVE, FERTILIZER LEFT | | | 1 | 1 | | | 1 | 1 |
| 2 | 31863 | LANNOITEP. SEULA .KP OIK. SAMA | SIEVE, FERTILIZER RIGHT | 1 | 1 | | | 1 | 1 | | |
| | 31922 | SEULA LANN.PUOLI KP OIK. | SIEVE, FERTILIZER RIGHT | | | 1 | 1 | | | 1 | 1 |
| 3 | A50451 | 6-MUTTERI II M6 DIN985 AISI | NUT | 12 | 12 | 12 | 12 | 12 | 12 | 12 | 12 |
| 4 | A0434 | 6-RUUVI M6X20 A2 DIN 933 AISI | SCREW | 12 | 12 | 12 | 12 | 12 | 12 | 12 | 12 |
| 5 | 33077 | KANNAKE2 KP | HOLDER | 2 | 2 | 2 | 2 | 2 | 2 | 2 | 2 |
| 6 | CF6000 | TARRA HITANAANAJONEUVONKOLMIO | SMV STICKER | 1 | 1 | 1 | 1 | 1 | 1 | 1 | 1 |
| 7 | 33075 | LUKITSIN KP | LOCK | 2 | 2 | 2 | 2 | 2 | 2 | 2 | 2 |
| 8 | A080L1514 | 6-RUUVI M8X20 8.8 DIN 933 ZN | SCREW | 8 | 8 | 8 | 8 | 8 | 8 | 8 | 8 |
| 9 | B580H1624 | ALUSLAATTA M 8 DIN125A ZN | WASHER | 36 | 36 | 36 | 36 | 36 | 36 | 36 | 36 |
| 10 | AG8113014 | 6-MUTTERI II M 8 DIN985-8 ZN | NUT | 44 | 44 | 44 | 44 | 44 | 44 | 44 | 44 |
| 11 | AG6113014 | 6-MUTTERI II M 6 DIN985-8 ZN | NUT | 4 | 4 | 4 | 4 | 4 | 4 | 4 | 4 |
| 12 | B560E1524 | ALUSLAATTA M 6 DIN125A ZN | WASHER | 2 | 2 | 2 | 2 | 2 | 2 | 2 | 2 |
| 13 | 31595 | TAKAVALO PANEELI OIK. HITS | TAILLIGHT PANEL, RIGHT | 1 | 1 | 1 | 1 | 1 | 1 | 1 | 1 |
| | 31592 | TAKAVALO PANEELI VAS. HITS. | TAILLIGHT PANEL, LEFT | 1 | 1 | 1 | 1 | 1 | 1 | 1 | 1 |
| 14 | D50000385 | HEIJASTIN KOLMIO 8301 | REFLECTOR | 2 | 2 | 2 | 2 | 2 | 2 | 2 | 2 |
| 15 | A060G2024 | URARUUVI M6X16 4.8 DIN 84 ZN | SCREW | 4 | 4 | 4 | 4 | 4 | 4 | 4 | 4 |
| 16 | CP4498R | VALOSARJA OIK. | LIGHTS RIGHT | 1 | 1 | 1 | 1 | 1 | 1 | 1 | 1 |
| | CP4498L | VALOSARJA VAS. | LIGHTS LEFT | 1 | 1 | 1 | 1 | 1 | 1 | 1 | 1 |
| 17 | 33643 | PEITELEVY D | PLATE D | | | | | 12 | 12 | 16 | 16 |
| 18 | A670G9824 | X-LEVYR . 4.8X16 A2 DIN7981C POZ | SCREW | 30 | 30 | 38 | 38 | 42 | 42 | 54 | 54 |
| 19 | D17941 | MAESTRON POHJAKARTIO 17941 | BOTTOM CONE | 22 | 22 | 30 | 30 | 10 | 10 | 14 | 14 |
| | 33623 | SULKUKARTIO D | BOTTOM CONE D | | | | | 12 | 12 | 16 | 16 |
| 20 | A50710 | 6-MUTTERI II M8 A2 DIN985 AISI | NUT | 10 | 10 | 10 | 10 | 10 | 10 | 10 | 10 |
| 21 | B5A0V1525 | KORILAATTA M8 DIN9021 A2 | WASHER | 6 | 6 | 6 | 6 | 6 | 6 | 6 | 6 |
| 22 | A080F3014 | LUKKOR. M8X25 4.6 RUOSTUMATON | LOCK SCREW | 18 | 18 | 18 | 18 | 18 | 18 | 18 | 18 |
| 23 | 31819 | LUKKOTAPPI VÄLISEINÄÄN | LOCK PIVOT | 3 | 3 | 3 | 3 | 3 | 3 | 3 | 3 |
| 24 | B85120001 | JOUSISOKKA 5X32 DIN1481 ZNC | TUBULAR PIN | 3 | 3 | 3 | 3 | 3 | 3 | 3 | 3 |
| 25 | 31460 | VÄLISEINÄ HITS. OIK. | PARTITION WALL, RIGHT | 1 | | | | 1 | | | |
| | 31490 | VÄLISEINÄ HITS., ISOSÄILIÖ | PARTITION WALL, RIGHT | | 1 | | | | 1 | | |
| | 33141 | VÄLISEINÄ HITS. OIK. 400 | PARTITION WALL, RIGHT | | 1 | | | | 1 | | |
| | 31916 | VÄLISEINÄ HITS. | PARTITION WALL, RIGHT | | | 1 | | | | 1 | |
| 26 | B60649 | ALUSLAATTA M 8 DIN125A A2 AISI | WASHER | 4 | 4 | 4 | 4 | 4 | 4 | 4 | 4 |
| 27 | 31829 | VASTALEVY | RESPONSE PLATE | 1 | 1 | 1 | 1 | 1 | 1 | 1 | 1 |
| 28 | 31817 | KUMITIIIVISTE | RUBBER JOINT | 1 | 1 | 1 | 1 | 1 | 1 | 1 | 1 |
| 29 | 31816 | VÄLISEINÄ HITS. VAS. | PARTITION WALL, LEFT | 1 | | | | 1 | | | |
| | 31835 | VÄLISEINÄ HITS. VAS. | PARTITION WALL, LEFT | | | | | 1 | | | |
| | 33139 | VÄLISEINÄ HITS. VAS. | PARTITION WALL, LEFT | | | 1 | | | 1 | | |
| | 31920 | VÄLISEINÄ HITS. VAS. | PARTITION WALL, LEFT | | | | | | | 1 | 1 |
| 30 | 33071 | KANSIPEITE KP | LID | 1 | | 1 | | 1 | | | |

| OSA PART | KOODI CODE | NIMITYS | DESCRIPTION | SM300 ECO | SM300 PLUS | SM400 ECO | SM400 PLUS | D300 ECO | D300 PLUS | D400 ECO | D400 PLUS |
|----------|------------|--------------------------------|----------------------------|-----------|------------|-----------|------------|----------|-----------|----------|-----------|
| 31 | 33065 | KANSIPEITE KP | LID | 2 | 1 | 1 | 1 | 2 | 1 | 1 | 1 |
| | 33142 | KANSIPEITE KP | LID | 4 | | | | 4 | | | |
| | 33070 | KANSIPEITE KP | LID | 4 | | | | 4 | | | |
| | 31469 | TIIVISTE | SEAL | 2 | | 2 | | 2 | | | |
| | 31495 | TIIVISTE | SEAL | 4 | | 4 | | 4 | | | |
| 32 | 160828 | LAAKERIN YLEMPI PUOLIKAS | BEARING, UPPER | 4 | | 4 | | 4 | | | |
| 33 | 20861 | LAAKERIN ALEMPI PUOLIKAS | BEARING, LOWER | 4 | | 4 | | 4 | | | |
| 34 | A060L1524 | 6-RUUVI M6X20 8.8 DIN 933 ZN | SCREW | 4 | | 4 | | 4 | | | |
| 35 | 31850 | MAAPYÖRÄ KP | FRICTION WHEEL | 1 | | 1 | | 1 | | | |
| 36 | A060C1024 | 6-RUUVI M6X12 8.8 DIN 933 ZN | SCREW | 2 | | 2 | | 2 | | | |
| 37 | 21204 | LISÄSUOJA SEKOITINAKSELILLE | COVER PLATE | 1 | | 1 | | 1 | | | |
| 38 | A080S1514 | 6-RUUVI M8X25 8.8 DIN933 ZN | SCREW | 4 | | 4 | | 4 | | | |
| 39 | 33074 | KIINNITIN HITS. | LID HOLDER | 2 | | 2 | | 2 | | | |
| 40 | 31821 | ASTEIKKOLEVY | SCALE PLATE | 2 | | 2 | | 2 | | | |
| 41 | D30142 | SIPIVÄÄNNIN + TULPPA 80105 | KNOB | 2 | | 2 | | 2 | | | |
| 42 | D14711600 | VETOJOUSI 5*40*250 4-7116S | TENSION SPRING | 1 | | 1 | | 1 | | | |
| 43 | 707510 | KIRISTYSRUUVI KIRISTYPANT HITS | SCREW | 1 | | 1 | | 1 | | | |
| 44 | B861A0001 | JOUSISOKKA 6X40 DIN1481 ZNC | TUBULAR PIN | 2 | | 2 | | 2 | | | |
| 45 | 17252 | LIUKUPUTKI | TUBE | 1 | | 1 | | 1 | | | |
| 46 | 17723 | VETOKETTINKI MAAPYÖRÄÄN | CHAIN, FRICTION WHEEL | 1 | | 1 | | 1 | | | |
| 47 | AGC111014 | 6-MUTTERI M12 DIN934-8 ZN | NUT | 1 | | 1 | | 1 | | | |
| 48 | A0C0S1512 | 6-RUUVI M12X25 8.8 DIN933 ZN | SCREW | 3 | | 3 | | 3 | | | |
| 49 | B5C0R2024 | ALUSLAATTA M12 DIN125A ZN | WASHER | 3 | | 3 | | 3 | | | |
| 50 | 17400 | LIUKUHOLKKI | BUSHING | 2 | | 2 | | 2 | | | |
| 51 | 17398 | MAAPYÖRÄN KIINNIKE | HOLDER, FRICTION WHEEL | 1 | | 1 | | 1 | | | |
| 52 | 21248 | TULPPA SFL32X0,8-2,0 | PLUG | 4 | | 4 | | 4 | | | |
| 53 | 27014 | OHJEKIRJAN SUOJAPUTKI KOOTTU | CASING TUBE FOR MANUAL | 1 | | 1 | | 1 | | | |
| 54 | B580V1544 | KORILAATTA M 8 DIN440R ZN | WASHER | 16 | | 16 | | 16 | | | |
| 55 | 31861 | ASENTOLEVY HITS. | POSITION PLATE | 2 | | 2 | | 2 | | | |
| 56 | 17676 | ASENTOLEVY HITS. | POSITION PLATE | 2 | | 2 | | 2 | | | |
| 57 | A13700 | 6-RUUVI M20X65 8.8 DIN933 ZNC | SCREW | 4 | | 4 | | 4 | | | |
| 58 | B5L173024 | ALUSLAATTA M20 DIN125A ZN | WASHER | 8 | | 8 | | 8 | | | |
| 59 | AGL113014 | 6-MUTTERI II M20 DIN985-8 ZN | NUT | 4 | | 4 | | 4 | | | |
| 60 | 31597 | ETUPANEELI OIK. | FRONT PANEL, RIGHT | 1 | | 1 | | 1 | | | |
| | 31599 | ETUPANEELI VAS. | FRONT PANEL, LEFT | 1 | | 1 | | 1 | | | |
| 61 | A04355 | 6-RUUVI M8X20 A2-80 DIN 933 AI | SCREW | 6 | | 6 | | 6 | | | |
| 62 | 33485 | KIERTOKOEVEIVI KP | CRANK | 1 | | 1 | | 1 | | | |
| 63 | AGG113014 | 6-MUTTERI II M16 DIN985-8 ZN | NUT | 8 | | 8 | | 8 | | | |
| 64 | B5G102524 | ALUSLAATTA M16 DIN125A ZN | WASHER | 16 | | 16 | | 16 | | | |
| 65 | A0G1A1514 | 6-RUUVI M16X40 8.8 DIN933 ZN | SCREW | 8 | | 8 | | 8 | | | |
| 66 | 13445 | HOLKKI KETJUNKIRISTÄJÄÄN | SPACER | 2 | | 2 | | 2 | | | |
| 67 | 21114 | ASTEIKKOKAARI LANNOITEP. | POSITION PLATE, FERTILIZER | 1 | | 1 | | 1 | | | |
| 68 | A08101514 | 6-RUUVI M8X30 8.8 DIN933 ZNC | SCREW | 2 | | 2 | | 2 | | | |

| OSA PART | KOODI CODE | NIMITYS | DESCRIPTION | SM300 ECO | SM300 PLUS | SM400 ECO | SM400 PLUS | D300 ECO | D300 PLUS | D400 ECO | D400 PLUS |
|----------|------------|--------------------------------|-------------------------|-----------|------------|-----------|------------|----------|-----------|----------|-----------|
| 69 | 31859 | SUOJALEVY LANN.PUOLI | COVER PLATE, FERTILIZER | 1 | 1 | 1 | 1 | 1 | 1 | 1 | 1 |
| 70 | D14105 | VETOJOUSI 2.25*18*90 SINK9208S | TENSION SPRING | 1 | 1 | 1 | 1 | 1 | 1 | 1 | 1 |
| 71 | BH0H11L16 | SEGER-RENGAKS 16X1471 | CIRCLIP | 1 | 1 | 1 | 1 | 1 | 1 | 1 | 1 |
| 72 | 31869 | SUOJALEVY SIEM.PUOLI | COVER PLATE, SEED | 1 | 1 | 1 | 1 | 1 | 1 | 1 | 1 |
| 73 | 19081 | KETJUNKIRISTÄJÄ HITS | TIGHTEN FOR CHAIN | 1 | 1 | 1 | 1 | 1 | 1 | 1 | 1 |
| 74 | AGA111014 | 6-MUTTERI M10 DIN934-8 ZN | NUT | 1 | 1 | 1 | 1 | 1 | 1 | 1 | 1 |
| 75 | A01560 | SORMIRUUVI M*6X10 /32799900 | SCREW | 6 | 6 | 6 | 6 | 6 | 6 | 6 | 6 |
| 76 | D15186 | PAINEHOLK SINK.KELTAP.4-15186 | BUSHING | 2 | 2 | 2 | 2 | 2 | 2 | 2 | 2 |
| 77 | 137224 | RULLA KETJUNKIRISTÄJÄÄN | ROLL | 1 | 1 | 1 | 1 | 1 | 1 | 1 | 1 |
| 78 | A0A1L1014 | 6-RUUVI M10X50 8.8 DIN933 ZN | SCREW | 1 | 1 | 1 | 1 | 1 | 1 | 1 | 1 |
| 79 | 31779 | SÄILIÖ HITS. LYHYT VÄLI | HOPPER | 1 | | | | 1 | | | |
| | 31471 | SÄILIÖ ISO, LYHYT SYÖTTÖVÄLI | HOPPER | | 1 | | | | 1 | | |
| | 33178 | SÄILIÖ HITS. LYHYT VÄLI | HOPPER | | | 1 | | | | 1 | |
| | 31810 | SÄILIÖ HITS. LYHYT VÄLI | HOPPER | | | | 1 | | | | 1 |
| 80 | A05150 | LUKKORUUVI M8X20 A2 DIN 603 | SCREW | 10 | 10 | 10 | 10 | 10 | 10 | 10 | 10 |
| 81 | 010425 | MUOVITULPPA MUSTA | PLUG | 6 | 6 | 6 | 6 | 6 | 6 | 6 | 6 |
| 82 | 33284 | KAIDE OIK. | HANDRAIL, RIGHT | 1 | 1 | 1 | 1 | 1 | 1 | 1 | 1 |
| | 33283 | KAIDE VAS. | HANDRAIL, LEFT | 1 | 1 | 1 | 1 | 1 | 1 | 1 | 1 |
| 83 | 33076 | KANNAKE1KP | HOLDER | 2 | 2 | 2 | 2 | 2 | 2 | 2 | 2 |

1.2 KONEISTO SMD, LANNOITE SAMAN RIVIIN

1.2 GEAR SMD, FERT INTO THE SAME ROW

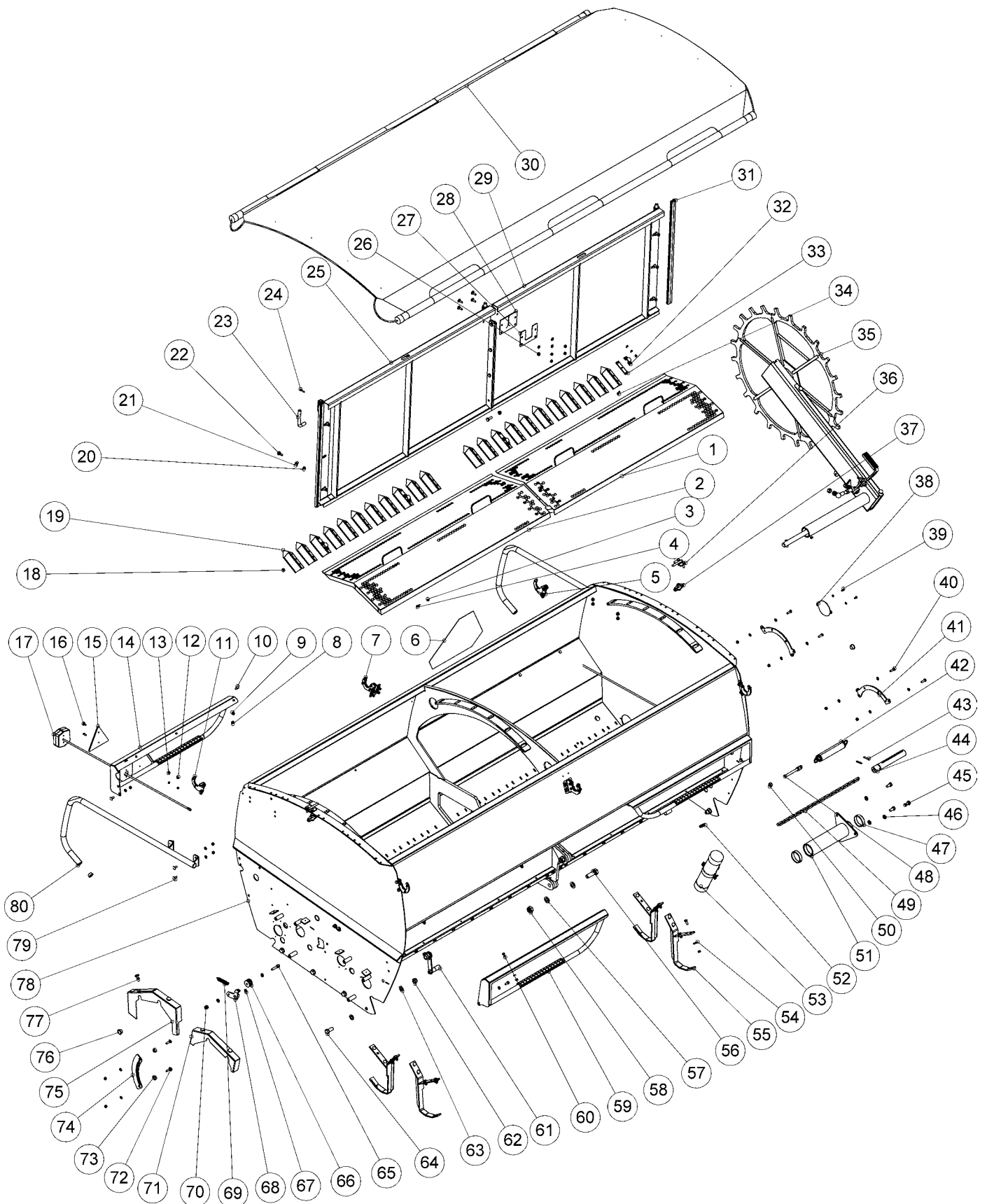


| OSA PART | KOODI CODE | NIMITYS | DESCRIPTION | SM300 | | SM400 | | D300 | | D400 | | D400 | |
|-------------|---------------|--------------------------------|-------------------------|-------|------|-------|------|------|------|------|------|------|---|
| | | | | ECO | PLUS | ECO | PLUS | ECO | PLUS | ECO | PLUS | | |
| 1 | 31867 | SYÖTÖAKSELI SIEM.PUOLI | FEED SHAFT, SEED | 1 | 1 | | | 1 | 1 | | | | |
| | 31937 | SYÖTÖAKSELI SIEM.PUOLI | FEED SHAFT, SEED | | | 1 | 1 | | | 1 | 1 | | |
| 2 | 21206 | SEKOITINAKSELI HITSATTU | MIXER SHAFT | 1 | 1 | | | | | | | | |
| | 21245 | SEKOITINAKSELI HITSATTU | MIXER SHAFT | | | 1 | 1 | | | | | | |
| | 33644 | SEKOITINAKSELI HITSATTU | MIXER SHAFT | | | | | 1 | 1 | | | | |
| | 33647 | SEKOITINAKSELI HITSATTU | MIXER SHAFT | | | | | | | 1 | 1 | | |
| 3 | 31865 | PIKKULÄPÄN AKSELI | LITTLE FLAP SHAFT | 2 | 2 | | | 2 | 2 | | | 1 | 1 |
| | 31939 | PIKKULÄPÄN AKSELI | LITTLE FLAP SHAFT | | | 2 | 2 | | | 2 | 2 | | |
| 4 | 17563 | POHJÄLÄPÄN AKSELI | BOTTOM FLAP SHAFT | 4 | 4 | | | 4 | 4 | | | | |
| | 18140 | POHJÄLÄPÄN AKSELI 4000 | BOTTOM FLAP SHAFT | | | 4 | 4 | | | 4 | 4 | | |
| 5 | 31855 | KARDAANIASELI | DRIVE SHAFT | 1 | 1 | | | 1 | 1 | | | | |
| | 33004 | KARDAANIASELI | DRIVE SHAFT | | | 1 | 1 | | | 1 | 1 | | |
| 6 | BH1511L12 | SEGER-RENG AKS 34X1.5 471 | CIRCLIP | 1 | 1 | 1 | 1 | 1 | 1 | 1 | 1 | | |
| 7 | 18459 | TUKILAAKERI KARDANILLE | BEARING FOR DRIVE SHAFT | 1 | 1 | 1 | 1 | 1 | 1 | 1 | 1 | | |
| 8 | 31866 | SYÖTÖAKSELI LANN.PUOLI | FEED SHAFT, FERTILIZER | 1 | 1 | | | 1 | 1 | | | | |
| | 31934 | SYÖTÖAKSELI LANN.PUOLI | FEED SHAFT, FERTILIZER | | | 1 | 1 | | | 1 | 1 | | |
| 9 | A06151514 | 6-RUUVI M6X35 8.8 DIN 933 ZN | SCREW | 4 | 4 | 4 | 4 | 4 | 4 | 4 | 4 | | |
| 10 | AG6113014 | 6-MUTTERI II M 6 DIN985-8 ZN | NUT | 5 | 5 | 5 | 5 | 5 | 5 | 5 | 5 | | |
| 11 | 17671 | VIPU HITS. | LEVER | 4 | 4 | 4 | 4 | 4 | 4 | 4 | 4 | | |
| 12 | 33158 | HOLKKI | BUSHING | 2 | 2 | 2 | 2 | 2 | 2 | 2 | 2 | | |
| 13 | 31713 | SÄÄTÖVIPU KOOTTU | LEVER | 2 | 2 | 2 | 2 | 2 | 2 | 2 | 2 | | |
| 14 | B840N0001 | JOUSISOKKA 4X22 DIN1481 ZNC | TUBULAR PIN | 4 | 4 | 4 | 4 | 4 | 4 | 4 | 4 | | |
| 15 | A50452 | 6-MUTTERI M6 A2 DIN934 AISI | NUT | 8 | 8 | 8 | 8 | 8 | 8 | 8 | 8 | | |
| 16 | B560B1615 | JOUSIALUSL. M6 DIN127B A2 AISI | SPRING WASHER | 8 | 8 | 8 | 8 | 8 | 8 | 8 | 8 | | |
| 17 | 161505 | LUKITSIN SÄÄTÖVIPUUN | LOCK FOR LEVER | 4 | 4 | 4 | 4 | 4 | 4 | 4 | 4 | | |
| 18 | A02100 | URARUUVI M6X16 A2 DIN 7985 POZ | SCREW | 8 | 8 | 8 | 8 | 8 | 8 | 8 | 8 | | |
| 19 | A03559 | 6-RUUVI M6X60 8.8 DIN933 ZN | SCREW | 1 | 1 | 1 | 1 | 1 | 1 | 1 | 1 | | |
| 20 | A05101812 | 6-RUUVI M5X50 DIN 933 | SCREW | 1 | 1 | 1 | 1 | 1 | 1 | 1 | 1 | | |
| 21 | 21129 | HOLKKI SEK.AKSELIIN | BUSHING | 1 | 1 | 1 | 1 | 1 | 1 | 1 | 1 | | |
| 22 | AG8113014 | 6-MUTTERI II M 8 DIN985-8 ZN | NUT | 3 | 3 | 3 | 3 | 3 | 3 | 3 | 3 | | |
| 23 | D49009 | STEFA 30*55*7 CRW1R | SHAFT SEAL | 1 | 1 | 1 | 1 | 1 | 1 | 1 | 1 | | |
| 24 | 19922 | TIIVISTEPESA | HOUSING | 1 | 1 | 1 | 1 | 1 | 1 | 1 | 1 | | |
| 25 | A060L2025 | URAR. M6X25 4.8 DIN 84 ZN | SCREW | 2 | 2 | 2 | 2 | 2 | 2 | 2 | 2 | | |
| 26 | BH1S1S0J1 | SEGER-RENG REI 55X2 472 | CIRCLIP | 2 | 2 | 2 | 2 | 2 | 2 | 2 | 2 | | |
| 27 | BH1011L11 | SEGER-RENG AKS 30X1.5 471 | CIRCLIP | 2 | 2 | 2 | 2 | 2 | 2 | 2 | 2 | | |
| 28 | CE60062RS | KUULALAAKERI 6006 2 RS | BEARING | 2 | 2 | 2 | 2 | 2 | 2 | 2 | 2 | | |
| 29 | 17185 | LAAKERIPESÄ VIISTETTY | BEARING HOUSING | 2 | 2 | 2 | 2 | 2 | 2 | 2 | 2 | | |
| 30 | A060G1024 | 6-RUUVI M6X16 8.8 DIN 933 ZN | SCREW | 6 | 6 | 6 | 6 | 6 | 6 | 6 | 6 | | |
| 31 | 21130 | KETJUP. HITS. Z25 3/8" | PINION | 1 | 1 | 1 | 1 | 1 | 1 | 1 | 1 | | |
| 32 | A061A1524 | 6-RUUVI M6X40 8.8 DIN 933 ZN | SCREW | 2 | 2 | 2 | 2 | 2 | 2 | 2 | 2 | | |
| 33 | 31987 | RULLAKETJU | CHAIN | 1 | 1 | 1 | 1 | 1 | 1 | 1 | 1 | | |

| OSA PART | KOODI CODE | NIMITYS | DESCRIPTION | SM300 ECO | SM300 PLUS | SM400 ECO | SM400 PLUS | D300 ECO | D300 PLUS | D400 ECO | D400 PLUS |
|----------|------------|-------------------------------|----------------------|-----------|------------|-----------|------------|----------|-----------|----------|-----------|
| 34 | 21239 | KETJU SYÖTTÖAKSELILLE | CHAIN FOR FEED SHAFT | 1 | 1 | 1 | 1 | 1 | 1 | 1 | 1 |
| 35 | 31889 | VAIHDELAATIKKO KOOTTU SP | GEARBOX, SEED | 1 | 1 | 1 | 1 | 1 | 1 | 1 | 1 |
| 36 | D30142 | SIIPIVÄÄNNIN + TULPPA 80105 | KNOB | 2 | 2 | 2 | 2 | 2 | 2 | 2 | 2 |
| 37 | 19848 | KUMIPRIKKA 9*25 | WASHER | 2 | 2 | 2 | 2 | 2 | 2 | 2 | 2 |
| 38 | A080S3014 | LUKKOR. M8X25 4.6 DIN 603 ZN | SCREW | 4 | 4 | 4 | 4 | 4 | 4 | 4 | 4 |
| 39 | B580H1624 | ALUSLAATTA M 8 DIN125A ZN | WASHER | 2 | 2 | 2 | 2 | 2 | 2 | 2 | 2 |
| 40 | 31347 | KAARILEVY SIEMENUOLI | POSITION PLATE, SEED | 1 | 1 | 1 | 1 | 1 | 1 | 1 | 1 |
| 41 | A0C1F1024 | 6-RUUVI M12X45 8.8 DIN933 ZN | SCREW | 6 | 6 | 6 | 6 | 6 | 6 | 6 | 6 |
| 42 | B5C0R2024 | ALUSLAATTA M12 DIN125A ZN | WASHER | 7 | 7 | 7 | 7 | 7 | 7 | 7 | 7 |
| 43 | 31870 | VAIHDELAATIKKO LANN.PUOLI KP | GEARBOX, FERTILIZER | 1 | 1 | 1 | 1 | 1 | 1 | 1 | 1 |
| 44 | AGC113014 | 6-MUTTERI II M12 DIN985-8 ZN | NUT | 1 | 1 | 1 | 1 | 1 | 1 | 1 | 1 |
| 45 | B5C0R2124 | KORILAATTA M12 DIN9021.ZN | WASHER | 1 | 1 | 1 | 1 | 1 | 1 | 1 | 1 |
| 46 | 13445 | HOLKKI KETJUNKIRISTÄJÄÄN | SOCKET | 2 | 2 | 2 | 2 | 2 | 2 | 2 | 2 |
| 47 | 137351 | KETJUPYÖRÄ Z15 1/2" | PINION | 1 | 1 | 1 | 1 | 1 | 1 | 1 | 1 |
| 48 | CE62012RS | KUULALAAKERI 62012 RS | BEARING | 2 | 2 | 2 | 2 | 2 | 2 | 2 | 2 |
| 49 | BH1210L11 | SEGER-RENG REI 32X1.2 472 | CIRCLIP | 1 | 1 | 1 | 1 | 1 | 1 | 1 | 1 |
| 50 | 120427 | ALUSLAATTA | WASHER | 2 | 2 | 2 | 2 | 2 | 2 | 2 | 2 |
| 51 | A0C2A1514 | 6-RUUVI M12X70 8.8 DIN931 ZNC | SCREW | 1 | 1 | 1 | 1 | 1 | 1 | 1 | 1 |
| 52 | 21136 | HP. Z22 HITS. | PINION | 1 | 1 | 1 | 1 | 1 | 1 | 1 | 1 |
| 53 | A061F1014 | 6-RUUVI M6X45 8.8 DIN 931 ZN | SCREW | 1 | 1 | 1 | 1 | 1 | 1 | 1 | 1 |
| 54 | 31975 | PURISTUSJOUSI | PRESS SPRING | 1 | 1 | 1 | 1 | 1 | 1 | 1 | 1 |
| 55 | 31976 | KYTKINHOLKKI | CLUTCH SOCKET | 1 | 1 | 1 | 1 | 1 | 1 | 1 | 1 |

1.3 SÄILIÖ SM, LANNOITE ERI RIVIIN

1.3 HOPPER SM, FERT INTO A SEPARATE ROW

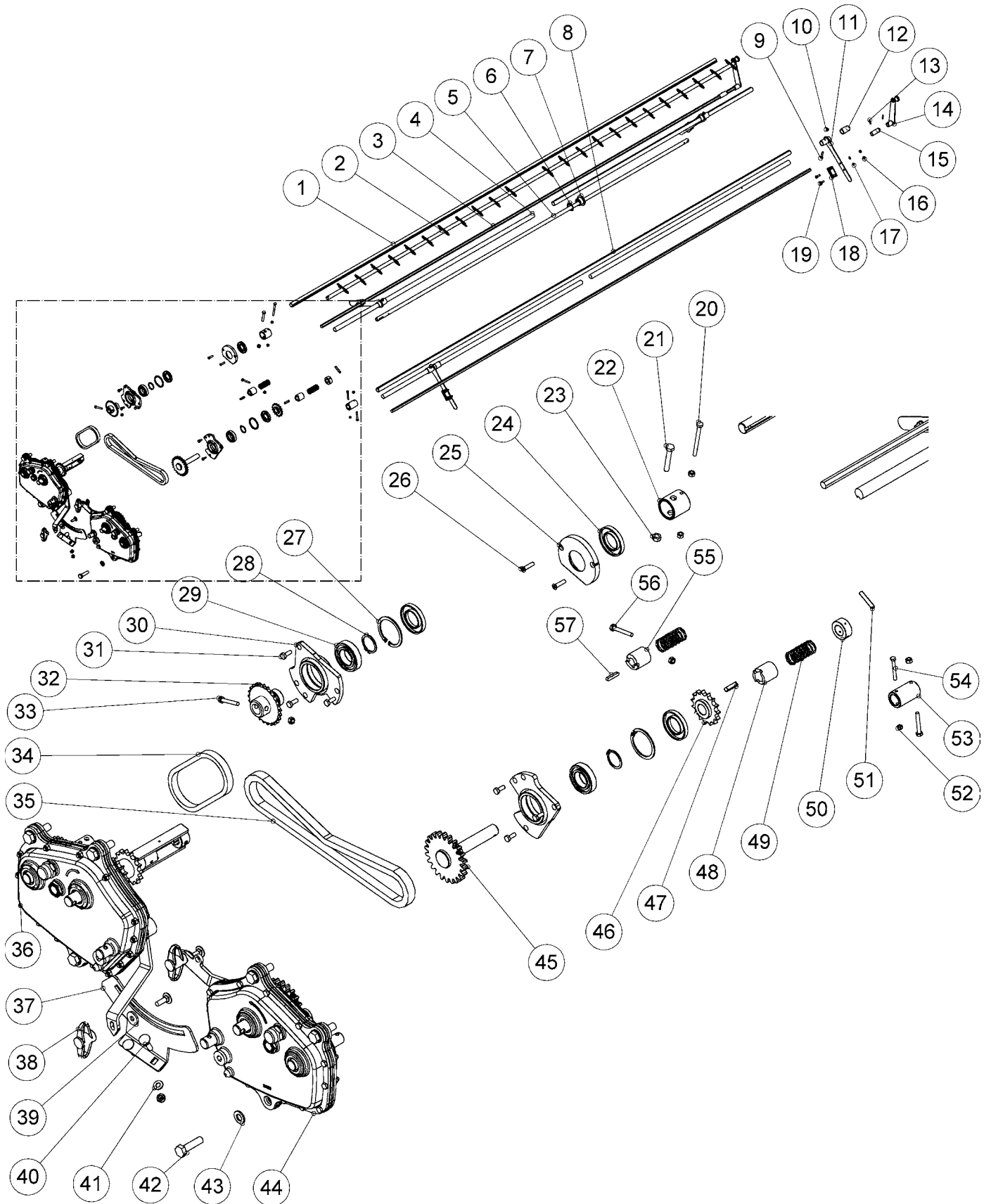


| OSA PART | KOODI CODE | NIMITYS | DESCRIPTION | SM300 ECO | SM300 PLUS | SM400 ECO | SM400 PLUS |
|----------|------------|---|-------------------------|-----------|------------|-----------|------------|
| 1 | 31423 | LANN. SEULA VAS. ERI | SIEVE, FERTILIZER LEFT | 1 | 1 | | |
| | 33135 | SEULA VAS. 400 KP | SIEVE, FERTILIZER LEFT | | | 1 | 1 |
| 2 | 31421 | LANN. SEULA OIK. ERI | SIEVE, FERTILIZER LEFT | 1 | 1 | | |
| | 33134 | SEULA OIK. 400 KP | SIEVE, FERTILIZER RIGHT | | | 1 | 1 |
| 3 | A50451 | 6-MUTTERI II M6 DIN985 AISI | NUT | 12 | 12 | 12 | 12 |
| 4 | A0434 | 6-RUUVI M6X20 A2 DIN 933 AISI | SCREW | 12 | 12 | 12 | 12 |
| 5 | 33077 | KANNAKE2 KP | HOLDER | 2 | 2 | 2 | 2 |
| 6 | CF6000 | TARRA HITANAJO.KOLMIO | SMV STICKER | 1 | 1 | 1 | 1 |
| 7 | 33075 | LUKITSIN KP | LOCK | 2 | 2 | 2 | 2 |
| 8 | AG8113014 | 6-MUTTERI II M 8 DIN985-8 ZN | NUT | 44 | 44 | 44 | 44 |
| 9 | B580H1624 | ALUSLAATTA M 8 DIN125A ZN | WASHER | 36 | 36 | 36 | 36 |
| 10 | A080L1514 | 6-RUUVI M8X20 8.8 DIN 933 ZN | SCREW | 8 | 8 | 8 | 8 |
| 11 | 33076 | KANNAKE1 KP | HOLDER | 2 | 2 | 2 | 2 |
| 12 | AG6113014 | 6-MUTTERI II M 6 DIN985-8 ZN | NUT | 8 | 8 | 8 | 8 |
| 13 | B560E1524 | ALUSLAATTA M 6 DIN125A ZN | WASHER | 2 | 2 | 2 | 2 |
| 14 | 31595 | TAKAVALO PANEELI OIK. HITS. | TAILLIGHT PANEL, RIGHT | 1 | 1 | 1 | 1 |
| | 31592 | TAKAVALO PANEELI VAS. HITS. | TAILLIGHT PANEL, LEFT | 1 | 1 | 1 | 1 |
| 15 | D50000385 | HEIJASTIN KOLMIO 8301 | REFLECTOR | 2 | 2 | 2 | 2 |
| 16 | A060G2024 | URARUUVI M6X16 4.8 DIN 84 ZN | SCREW | 4 | 4 | 4 | 4 |
| 17 | CP4498R | VALOSARJA OIK. | LIGHTS ,RIGHT | 1 | 1 | 1 | 1 |
| | CP4498L | VALOSARJA VAS. | LIGHTS ,LEFT | 1 | 1 | 1 | 1 |
| 18 | A670G9824 | X-LEVYR.4.8X16 A2 DIN7981C POZ MAESTRON POHJAKARTIO | SCREW BOTTOM CONE | 30 22 | 30 22 | 38 30 | 38 30 |
| 19 | D17941 | 17941 | | | | | |
| 20 | A50710 | 6-MUTTERI II M8 A2 DIN985 AISI | NUT | 10 | 10 | 10 | 10 |
| 21 | B5A0V1525 | KORILAATTA M8 DIN9021 A2 | WASHER | 6 | 6 | 6 | 6 |
| 22 | A080F3014 | LUKKOR. M8X25 4.6 RUOSTUM. | SCREW | 18 | 18 | 18 | 18 |
| 23 | 31819 | LUKKOTAPPI VÄLISEINÄÄN | LOCK PIVOT | 3 | 3 | 3 | 3 |
| 24 | B85120001 | JOUSISOKKA 5X32 DIN1481 ZNC | TUBULAR PIN | 3 | 3 | 3 | 3 |
| 25 | 31460 | VÄLISEINÄ HITS. OIK. | PARTITION WALL, RIGHT | 1 | | | |
| | 31490 | VÄLISEINÄ HITS., ISOSÄILIÖ | PARTITION WALL, RIGHT | | 1 | | |
| | 33141 | VÄLISEINÄ HITS. OIK. 400 | PARTITION WALL, RIGHT | | | 1 | |
| | 31916 | VÄLISEINÄ HITS. | PARTITION WALL, RIGHT | | | | 1 |
| 26 | B60649 | ALUSLAATTA M 8 DIN125A A2 AISI | WASHER | 4 | 4 | 4 | 4 |
| 27 | 31829 | VASTALEVY | RESPONSE PLATE | 1 | 1 | 1 | 1 |
| 28 | 31817 | KUMITIIIVISTE | RUBBER JOINT | 1 | 1 | 1 | 1 |
| 29 | 31816 | VÄLISEINÄ HITS. VAS. | PARTITION WALL, LEFT | 1 | | | |
| | 31835 | VÄLISEINÄ HITS. VAS. | PARTITION WALL, LEFT | | 1 | | |
| | 33139 | VÄLISEINÄ HITS. VAS. | PARTITION WALL, LEFT | | | 1 | |
| | 31920 | VÄLISEINÄ HITS. VAS | PARTITION WALL, LEFT | | | | 1 |
| 30 | 33071 | KANSIPEITE KP | LID | 1 | | | |
| | 33065 | KANSIPEITE KP | LID | | 1 | | |
| | 33142 | KANSIPEITE KP | LID | | | 1 | |
| | 33070 | KANSIPEITE KP | LID | | | | 1 |
| 31 | 31469 | TIIVISTE | SEAL | 2 | | 2 | |
| | 31495 | TIIVISTE | SEAL | | 2 | | 2 |
| 32 | 160828 | LAAKERIN YLEMPI PUOLIKAS | BEARING, UPPER | 4 | 4 | 4 | 4 |
| 33 | 20861 | LAAKERIN ALEMPI PUOLIKAS | BEARING, LOWER | 4 | 4 | 4 | 4 |
| 34 | A060L1524 | 6-RUUVI M6X20 8.8 DIN 933 ZN | SCREW | 4 | 4 | 4 | 4 |
| 35 | 31850 | MAAPYÖRÄ KP | FRICTION WHEEL | 1 | 1 | 1 | 1 |
| 36 | 33074 | KIINNITIN HITS. | LID HOLDER | 2 | 2 | 2 | 2 |
| 37 | D30142 | SIIPIVÄÄNNIN + TULPPA 80105 | KNOB | 4 | 4 | 4 | 4 |
| 38 | 21204 | LISÄSUOJA SEKOITINAKS. | COVER PLATE | 1 | 1 | 1 | 1 |
| 39 | A060C1024 | 6-RUUVI M6X12 8.8 DIN 933 ZN | SCREW | 2 | 2 | 2 | 2 |
| 40 | A080S1514 | 6-RUUVI M8X25 8.8 DIN933 ZN | SCREW | 4 | 4 | 4 | 4 |
| 41 | 31821 | ASTEIKKOLEVY | POSITION PLATE | 2 | 2 | 2 | 2 |
| 42 | D14711600 | VETOJOUSI 5*40*250 4-7116S | TENSION SPRING | 1 | 1 | 1 | 1 |
| 43 | B861A0001 | JOUSISOKKA 6X40 DIN1481 ZNC | TUBULAR PIN | 2 | 2 | 2 | 2 |

| OSA PART | KOODI CODE | NIMITYS | DESCRIPTION | SM300 | SM300 | SM400 | SM400 |
|-------------|---------------|-------------------------------------|----------------------------|-------|-------|-------|-------|
| | | | | ECO | PLUS | ECO | PLUS |
| 44 | 17252 | LIUKUPUTKI | TUBE | 1 | 1 | 1 | 1 |
| 45 | A0C0S1512 | 6-RUUVI M12X25 8.8 DIN933 ZN | SCREW | 3 | 3 | 3 | 3 |
| 46 | B5C0R2024 | ALUSLAATTA M12 DIN125A ZN | WASHER | 9 | 9 | 9 | 9 |
| 47 | 17400 | LIUKUHOLKKI | BUSHING | 2 | 2 | 2 | 2 |
| 48 | 707510 | KIRISTYSRUUVI KIR.PANT HITS | SCREW | 1 | 1 | 1 | 1 |
| 49 | 17723 | VETOKETTINKI MAAPYÖRÄÄN | CHAIN, FRICTION WHEEL | 1 | 1 | 1 | 1 |
| 50 | AGC111014 | 6-MUTTERI M12 DIN934-8 ZN | NUT | 1 | 1 | 1 | 1 |
| 51 | 17398 | MAAPYÖRÄN KIINNIKE | HOLDER, FRICTION WHEEL | 1 | 1 | 1 | 1 |
| 52 | 21248 | TULPPA SFL32X0,8-2,0 | PLUG | 4 | 4 | 4 | 4 |
| 53 | 27014 | OHJEKIRJAN SUOJAPUTKI | CASING TUBE FOR MANUAL | 1 | 1 | 1 | 1 |
| 54 | B580V1544 | KOOTTU | | | | | |
| 54 | B580V1544 | KORILAATTA M 8 DIN440R ZN | WASHER | 16 | 16 | 16 | 16 |
| 55 | 17676 | ASENTOLEVY HITS. | POSITION PLATE | 4 | 4 | 4 | 4 |
| 56 | A13700 | 6-RUUVI M20X65 8.8 DIN933 | SCREW | 4 | 4 | 4 | 4 |
| 57 | B5L173024 | ZNC | | | | | |
| 57 | B5L173024 | ALUSLAATTA M20 DIN125A ZN | WASHER | 8 | 8 | 8 | 8 |
| 58 | AGL113014 | 6-MUTTERI II M20 DIN985-8 ZN | NUT | 4 | 4 | 4 | 4 |
| 59 | 31597 | ETUPANEELI OIK. | FRONT PANEL, RIGHT | 1 | 1 | 1 | 1 |
| 59 | 31599 | PANEELI VAS. | FRONT PANEL, LEFT | 1 | 1 | 1 | 1 |
| 60 | A04355 | 6-RUUVI M8X20 A2-80 DIN 933 | SCREW | 6 | 6 | 6 | 6 |
| 61 | 33485 | AI | | | | | |
| 61 | 33485 | KIERTOKOEVEIVI KP | CRANK | 1 | 1 | 1 | 1 |
| 62 | AGG113014 | 6-MUTTERI II M16 DIN985-8 ZN | NUT | 8 | 8 | 8 | 8 |
| 63 | B5G102524 | ALUSLAATTA M16 DIN125A ZN | WASHER | 16 | 16 | 16 | 16 |
| 64 | A0G1A1514 | 6-RUUVI M16X40 8.8 DIN933 ZN | SCREW | 8 | 8 | 8 | 8 |
| 65 | A0A1A4524 | 6-KOLOR.M10X40 8.8 DIN912 ZN | SCREW | 1 | 1 | 1 | 1 |
| 66 | 137224 | RULLA KETJUNKIRISTÄJÄÄN | ROLL | 1 | 1 | 1 | 1 |
| 67 | BH0H11L16 | SEGER-RENG AKS 16X1 471 | CIRCLIP | 1 | 1 | 1 | 1 |
| 68 | 19081 | KETJUNKIRISTÄJÄ HITS | TIGHTEN FOR CHAIN | 1 | 1 | 1 | 1 |
| 69 | D14105 | VETOJOUSI 2.25*18*90 SIN- K9208S | TENSION SPRING | 1 | 1 | 1 | 1 |
| 70 | AGA113014 | 6-MUTTERI II M10 DIN985-8 ZN | NUT | 1 | 1 | 1 | 1 |
| 71 | 31912 | SUOJALEVY LANN.PUOLI | COVER PLATE, FERTILIZER | 1 | 1 | 1 | 1 |
| 72 | A08103014 | LUKKOR. M8X30 8.8 DIN 603 ZN | SCREW | 2 | 2 | 2 | 2 |
| 73 | 13445 | HOLKKI KETJUNKIRISTÄJÄÄN | SPACER | 2 | 2 | 2 | 2 |
| 74 | 21114 | ASTEIKKOKAARI LANNOITEP. | POSITION PLATE, FERTILIZER | 1 | 1 | 1 | 1 |
| 75 | 31869 | SUOJALEVY SIEM.PUOLI | COVER PLATE, SEED | 1 | 1 | 1 | 1 |
| 76 | 010425 | MUOVITULPPA MUSTA | PLUG | 6 | 6 | 6 | 6 |
| 77 | A01560 | SORMIRUUVI M*6X10 /32799900 | SCREW | 4 | 4 | 4 | 4 |
| 78 | 31430 | PIKKUSÄILIÖ HITS. ISOVÄLI | HOPPER | 1 | | | |
| 78 | 31730 | SÄILIÖ HITS. ISOVÄLI | HOPPER | | 1 | | |
| 79 | A05150 | LUKKORUUVI M8X20 A2 DIN 603 | SCREW | 10 | 10 | 10 | 10 |
| 80 | 33284 | KAIDE OIK. | HANDRAIL, RIGHT | 1 | 1 | 1 | 1 |
| 80 | 33283 | KAIDE VAS. | HANDRAIL, LEFT | 1 | 1 | 1 | 1 |

1.4 KONEISTO SM, LANNOITE ERI RIVIIN

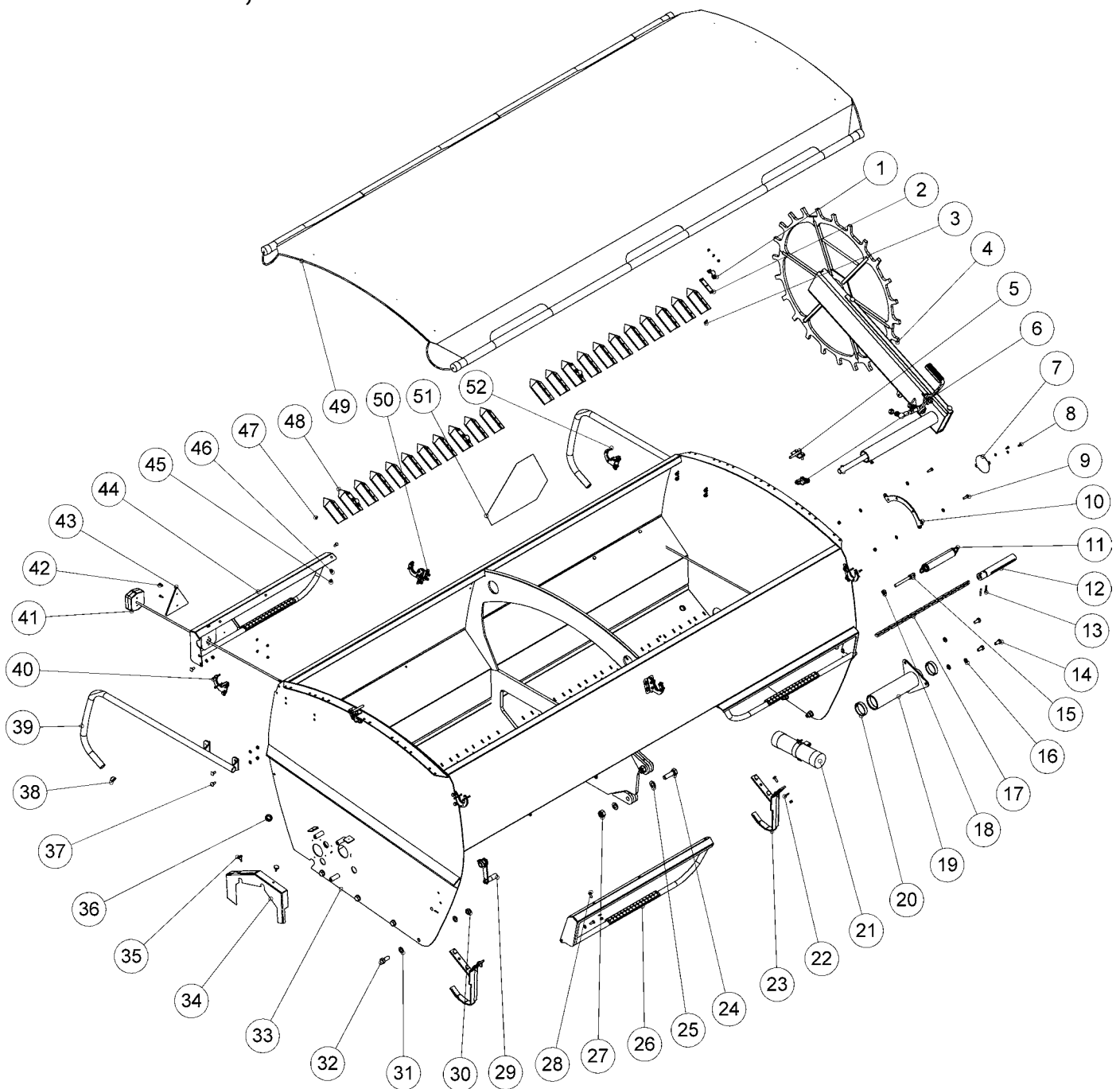
1.4 GEAR SM, FERT INTO A SEPARATE ROW



| OSA PART | KOODI CODE | NIMITYS | DESCRIPTION | SM300 | SM300 | SM400 | SM400 |
|-------------|---------------|------------------------------|-------------------------|-------|-------|-------|-------|
| | | | | ECO | PLUS | ECO | PLUS |
| 1 | 31867 | SYÖTTÖAKSELI SIEM.PUOLI | FEED SHAFT, SEED | 1 | 1 | | |
| | 31937 | SYÖTTÖAKSELI SIEM.PUOLI | FEED SHAFT, SEED | | | 1 | 1 |
| 2 | 21206 | SEKOITINAKSELI HITSATTU | MIXER SHAFT | 1 | 1 | | |
| | 21245 | SEKOITINAKSELI HITSATTU | MIXER SHAFT | | | 1 | 1 |
| 3 | 31865 | PIKKULÄPÄN AKSELI | LITTLE FLAP SHAFT | 2 | 2 | | |
| | 31939 | PIKKULÄPÄN AKSELI | LITTLE FLAP SHAFT | | | 2 | 2 |
| 4 | 17563 | POHJÄLÄPÄN AKSELI | BOTTOM FLAP SHAFT | 4 | 4 | | |
| | 18140 | POHJÄLÄPÄN AKSELI 4000 | BOTTOM FLAP SHAFT | | | 4 | 4 |
| 5 | 31855 | KARDAANIAKSELI | DRIVE SHAFT | 1 | 1 | | |
| | 33004 | KARDAANIAKSELI | DRIVE SHAFT | | | 1 | 1 |
| 6 | BH1511L12 | SEGER-RENG AKS 34X1.5 471 | CIRCLIP | 1 | 1 | 1 | 1 |
| 7 | 18459 | TUKILAAKERI KARDANILLE | BEARING FOR DRIVE SHAFT | 1 | 1 | 1 | 1 |
| 8 | 31866 | SYÖTTÖAKSELI LANN.PUOLI | FEED SHAFT, FERTILIZER | 1 | 1 | | |
| | 31934 | SYÖTTÖAKSELI LANN.PUOLI | FEED SHAFT, FERTILIZER | | | 1 | 1 |
| 9 | A06151514 | 6-RUUVI M6X35 8.8 DIN 933 ZN | SCREW | 1 | 1 | 1 | 1 |
| 10 | AG6113014 | 6-MUTTERI II M 6 DIN985-8 ZN | NUT | 5 | 5 | 5 | 5 |
| 11 | 17671 | VIPU HITS. | LEVER | 4 | 4 | 4 | 4 |
| 12 | 33143 | HOLKK | BUSHING | 2 | 2 | 2 | 2 |
| 13 | B840L0001 | JOUSISOKKA 4X20 DIN1481 ZNC | TUBULAR PIN | 2 | 2 | 2 | 2 |
| 14 | 31713 | SÄÄTÖVIPU KOOTTU | LEVER | 2 | 2 | 2 | 2 |
| 15 | 33158 | HOLKKI | BUSHING | 2 | 2 | 2 | 2 |
| 16 | A50452 | 6-MUTTERI M6 A2 DIN934 AISI | NUT | 8 | 8 | 8 | 8 |
| | | JOUSIALUSL. M6 DIN127B A2 | | | | | |
| 17 | B560B1615 | AISI | SPRING WASHER | 8 | 8 | 8 | 8 |
| 18 | 161505 | LUKITSIN SÄÄTÖVIPUUN | LOCK FOR LEVER | 4 | 4 | 4 | 4 |
| | | URARUUVI M6X16 A2 DIN 7985 | | | | | |
| 19 | A02100 | POZ | SCREW | 8 | 8 | 8 | 8 |
| 20 | A03559 | 6-RUUVI M6X60 8.8 DIN933 ZN | SCREW | 1 | 1 | 1 | 1 |
| 21 | A05101812 | 6-RUUVI M5X50 DIN 933 | SCREW | 1 | 1 | 1 | 1 |
| 22 | 21129 | HOLKKI SEK.AKSELIIN | BUSHING | 1 | 1 | 1 | 1 |
| 23 | AG8113014 | 6-MUTTERI II M 8 DIN985-8 ZN | NUT | 3 | 3 | 3 | 3 |
| 24 | D49009 | STEFA 30*55*7 CRW1R | SHAFT SEAL | 1 | 1 | 1 | 1 |
| 25 | 19922 | TIIVISTEPESÄ | HOUSING | 1 | 1 | 1 | 1 |
| 26 | A060L2025 | URAR. M6X25 4.8 DIN 84 ZN | SCREW | 2 | 2 | 2 | 2 |
| 27 | BH1S1S0J1 | SEGER-RENG REI 55X2 472 | CIRCLIP | 2 | 2 | 2 | 2 |
| 28 | BH1011L11 | SEGER-RENG AKS 30X1.5 471 | CIRCLIP | 2 | 2 | 2 | 2 |
| 29 | CE60062RS | KUULALAAKERI 6006 2 RS | BEARING | 2 | 2 | 2 | 2 |
| 30 | 17185 | LAAKERIPESÄ VIISTETTY | BEARING HOUSING | 2 | 2 | 2 | 2 |
| 31 | A060G1024 | 6-RUUVI M6X16 8.8 DIN 933 ZN | SCREW | 6 | 6 | 6 | 6 |
| 32 | 21130 | KETJUP. HITS. Z25 3/8" | PINION | 1 | 1 | 1 | 1 |
| 33 | A061A1524 | 6-RUUVI M6X40 8.8 DIN 933 ZN | SCREW | 2 | 2 | 2 | 2 |
| 34 | 21239 | KETJU SYÖTTÖAKSELILLE | CHAIN FOR FEED SHAFT | 1 | 1 | 1 | 1 |
| 35 | 33006 | RULLAKETJU | CHAIN | 1 | 1 | 1 | 1 |
| 36 | 31889 | VAIHDELAATIKKO KOOTTU SP | GEARBOX | 1 | 1 | 1 | 1 |
| 37 | 31347 | KAARILEVY SIEMENPUOLI | POSITION PLATE | 1 | 1 | 1 | 1 |
| 38 | D30142 | SIIPIVÄÄNNIN + TULPPA 80105 | KNOB | 2 | 2 | 2 | 2 |
| 39 | 19848 | KUMIPRIKKA 9*25 | WASHER | 2 | 2 | 2 | 2 |
| 40 | A08153014 | LUKKOR. M8X35 4.6 DIN 603 ZN | SCREW | 2 | 2 | 2 | 2 |
| 41 | B580H1624 | ALUSLAATTA M 8 DIN125A ZN | WASHER | 2 | 2 | 2 | 2 |
| 42 | A0C1F1024 | 6-RUUVI M12X45 8.8 DIN933 ZN | SCREW | 6 | 6 | 6 | 6 |
| 43 | B5C0R2024 | ALUSLAATTA M12 DIN125A ZN | WASHER | 6 | 6 | 6 | 6 |
| 44 | 31394 | VAIHDELAATIKKO LANN. KP | GEARBOX | 1 | 1 | 1 | 1 |
| 45 | 31907 | HP Z22 HITS. | PINION | 1 | 1 | 1 | 1 |
| 46 | 31909 | KETJUP.HITS. | PINION | 1 | 1 | 1 | 1 |
| 47 | 31878 | KIILA 6X6-28 | COTTER | 1 | 1 | 1 | 1 |
| 48 | 31877 | KYTKINHOLKKI URALLINEN | CLUTCH SOCKET | 1 | 1 | 1 | 1 |
| 49 | 31975 | PURISTUSJOUSI | PRESS SPRING | 2 | 2 | 2 | 2 |
| 50 | 33147 | HOLKKI | BUSHING | 1 | 1 | 1 | 1 |
| 51 | B86160001 | JOUSISOKKA 6X36 DIN1481 ZNC | TUBULAR PIN | 1 | 1 | 1 | 1 |
| 52 | AG5113014 | 6-MUTTERI II M 5 DIN985-8 ZN | NUT | 1 | 1 | 1 | 1 |
| 53 | 31911 | HOLKKI | BUSHING | 1 | 1 | 1 | 1 |
| 54 | A01270 | 6-RUUVI M5X40 8.8 DIN 933 | SCREW | 1 | 1 | 1 | 1 |
| | | ZNC | | | | | |
| 55 | 31976 | KYTKINHOLKKI | CLUTCH SOCKET | 1 | 1 | 1 | 1 |

| OSA PART | KOODI CODE | NIMITYS | DESCRIPTION | SM300 | SM300 | SM400 | SM400 |
|-------------|---------------|------------------------------|-------------|-------|-------|-------|-------|
| | | | | ECO | PLUS | ECO | PLUS |
| 56 | A061F1014 | 6-RUUVI M6X45 8.8 DIN 931 ZN | SCREW | 1 | 1 | 1 | 1 |
| 57 | 33005 | KIILA 5X5 | COTTER | 1 | 1 | 1 | 1 |

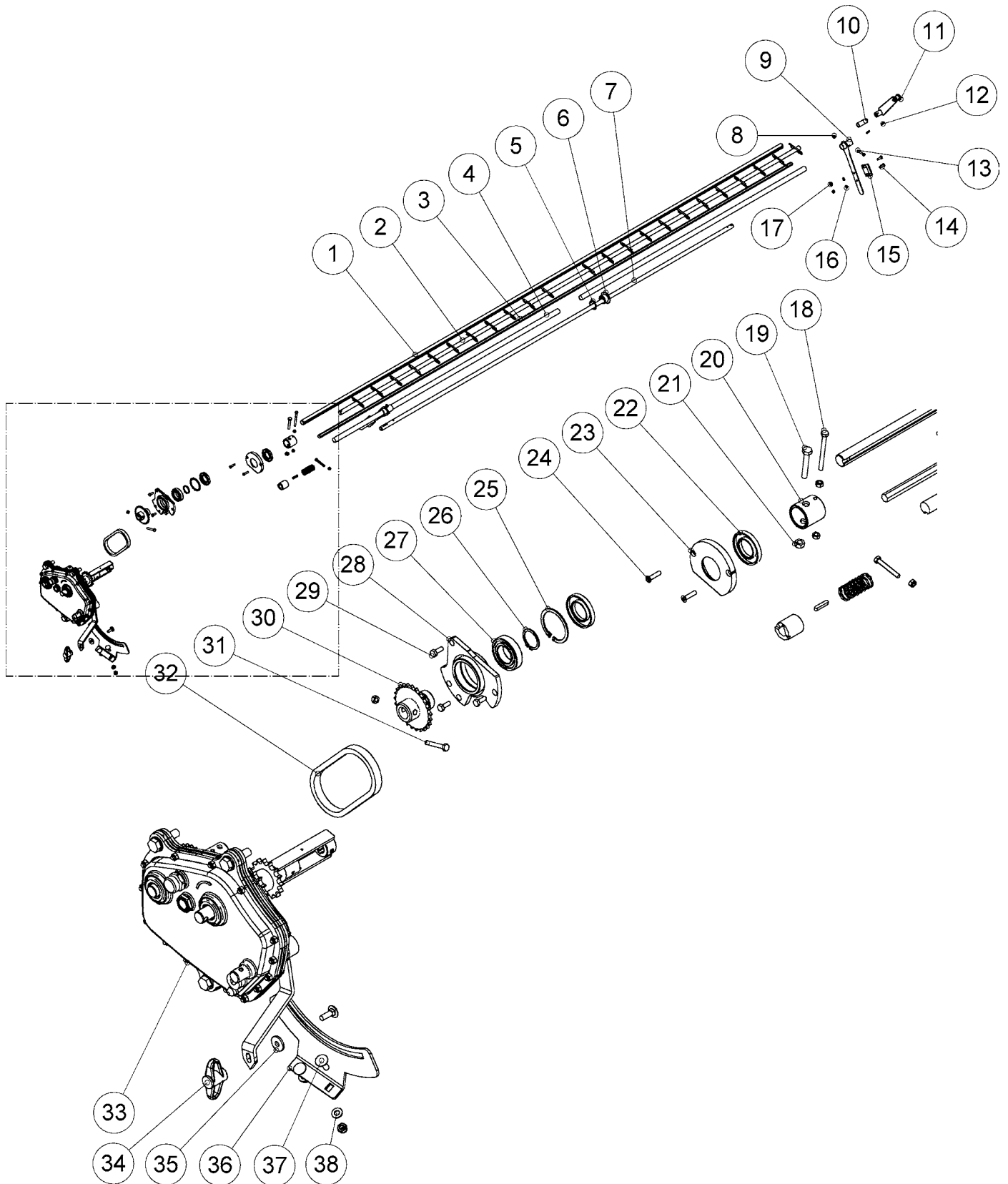
1.5 SÄILIÖ SMD, SEED
1.5 HOPPER SMD, SEED



| OSA PART | KOODI CODE | NIMITYS | DESCRIPTION | SMD300 | SMD400 |
|-------------|---------------|--------------------------------|------------------------|--------|--------|
| | | | | ECO | ECO |
| 1 | 160828 | LAAKERIN YLEMPI PUOLIKAS | BEARING, UPPER | 4 | 4 |
| 2 | 20861 | LAAKERIN ALEMPI PUOLIKAS | BEARING, LOWER | 4 | 4 |
| 3 | A060L1524 | 6-RUUVI M6X20 8.8 DIN 933 ZN | SCREW | 4 | 4 |
| 4 | 31850 | MAAPYÖRÄ KP | FRICTION WHEEL | 1 | 1 |
| 5 | 33074 | KIINNITIN HITS. | HOLDER | 2 | 2 |
| 6 | D30142 | SIIPIVÄÄNNIN + TULPPA 80105 | KNOB | 3 | 3 |
| 7 | 21204 | LISÄSUOJA SEKOITINAKSELILLE | COVER PLATE | 1 | 1 |
| 8 | A060C1024 | 6-RUUVI M6X12 8.8 DIN 933 ZN | SCREW | 2 | 2 |
| 9 | A080S1514 | 6-RUUVI M8X25 8.8 DIN933 ZN | SCREW | 2 | 2 |
| 10 | 31821 | ASTEIKKOLEVY | POSITION PLATE | 1 | 1 |
| 11 | D14711600 | VETOJOUSI 5*40*250 4-7116S | TENSION SPRING | 1 | 1 |
| 12 | 17252 | LIUKUPUTKI | TUBE | 1 | 1 |
| 13 | B861A0001 | JOUSISOKKA 6X40 DIN1481 ZNC | TUBULAR PIN | 2 | 2 |
| 14 | A0C0S1512 | 6-RUUVI M12X25 8.8 DIN933 ZN | SCREW | 3 | 3 |
| 15 | 707510 | KIRISTYSRUUVI KIRISTYPANT HITS | SCREW | 1 | 1 |
| 16 | B5C0R2024 | ALUSLAATTA M12 DIN125A ZN | WASHER | 6 | 6 |
| 17 | 17723 | VETOKETTINKI MAAPYÖRÄÄN | CHAIN, FRICTION WHEEL | 1 | 1 |
| 18 | AGC111014 | 6-MUTTERI M12 DIN934-8 ZN | NUT | 1 | 1 |
| 19 | 17398 | MAAPYÖRÄN KIINNIKE | HOLDER, FRICTION WHEEL | 1 | 1 |
| 20 | 17400 | LIUKUHOLKKI | BUSHING | 2 | 2 |
| 21 | 27014 | OHJEKIRJAN SUOJAPUTKI KOOTTU | CASING TUBE FOR MANUAL | 1 | 1 |
| 22 | B580V1544 | KORILAATTA M 8 DIN440R ZN | WASHER | 8 | 8 |
| 23 | 17676 | ASENTOLEVY HITS. | POSITION PLATE | 2 | 2 |
| 24 | A13700 | 6-RUUVI M20X65 8.8 DIN933 ZNC | SCREW | 4 | 4 |
| 25 | B5L173024 | ALUSLAATTA M20 DIN125A ZN | WASHER | 8 | 8 |
| 26 | 31597 | ETUPANEELI OIK. | FRONT PANEL, RIGHT | 1 | 1 |
| | 31599 | ETUPANEELI VAS. | FRONT PANEL, LEFT | 1 | 1 |
| 27 | AGL113014 | 6-MUTTERI II M20 DIN985-8 ZN | NUT | 4 | 4 |
| 28 | A080L1514 | 6-RUUVI M8X20 8.8 DIN 933 ZN | SCREW | 14 | 14 |
| 29 | 33485 | KIERTOKOEVEIVI KP | CRANK | 1 | 1 |
| 30 | AGG113014 | 6-MUTTERI II M16 DIN985-8 ZN | NUT | 8 | 8 |
| 31 | B5G102524 | ALUSLAATTA M16 DIN125A ZN | WASHER | 16 | 16 |
| 32 | A0G1A1514 | 6-RUUVI M16X40 8.8 DIN933 ZN | SCREW | 8 | 8 |
| 33 | 31760 | SÄILIÖ HITS. 300 SEED | HOPPER | 1 | |
| | 33161 | SÄILIÖ HITS. 400 ECO SEED | HOPPER | | 1 |
| 34 | 31869 | SUOJALEVY SIEM.PUOLI | COVER PLATE | 1 | 1 |
| 35 | A01560 | SORMIRUUVI M*6X10 /32799900 | SCREW | 2 | 2 |
| 36 | 21248 | TULPPA SFL32X0,8-2,0 | PLUG | 2 | 2 |
| 37 | A05150 | LUKKORUUVI M8X20 A2 DIN 603 | SCREW | 10 | 10 |
| 38 | 010425 | MUOVITULPPA MUSTA | PLUG | 4 | 4 |
| 39 | 33284 | KAIDE OIK. | HANDRAIL, RIGHT | 1 | 1 |
| | 33283 | KAIDE VAS. | HANDRAIL, LEFT | 1 | 1 |
| 40 | 33076 | KANNAKE1 KP | HOLDER | 2 | 2 |
| 41 | CP4498R | VALOSARJA OIK. | LIGHTS, RIHGT | 1 | 1 |
| | CP4498L | VALOSARJA VAS. | LIGHTS, LEFT | 1 | 1 |
| 42 | A060G2024 | URARUUVI M6X16 4.8 DIN 84 ZN | SCREW | 4 | 4 |
| 43 | D50000385 | HEIJASTIN KOLMIO 8301 | REFLECTOR | 2 | 2 |
| 44 | 31595 | TAKAVALO PANEELI OIK. HITS. | TAILLIGHT PANEL, RIGHT | 1 | 1 |
| | 31592 | TAKAVALO PANEELI VAS. HITS. | TAILLIGHT PANEL, LEFT | 1 | 1 |
| 45 | AG8113014 | 6-MUTTERI II M 8 DIN985-8 ZN | NUT | 34 | 34 |
| 46 | B580H1624 | ALUSLAATTA M 8 DIN125A ZN | WASHER | 46 | 46 |
| 47 | A670G9824 | X-LEVYR.4.8X16 A2 DIN7981C POZ | SCREW | 30 | 38 |
| 48 | D17941 | MAESTRON POHJAKARTIO 17941 | BOTTOM CONE | 22 | 30 |
| 49 | 33071 | KANSIPEITE KP | LID | 1 | |
| | 33142 | KANSIPEITE KP | LID | | 1 |
| 50 | 33075 | LUKITSIN KP | LOCK | 2 | 2 |
| 51 | CF6000 | TARRA HITAAAJON.KOLMIO | SMV STICKER | 1 | 1 |
| 52 | 33077 | KANNAKE2 KP | HOLDER | 2 | 2 |

1.6 KONEISTO SMD, SEED

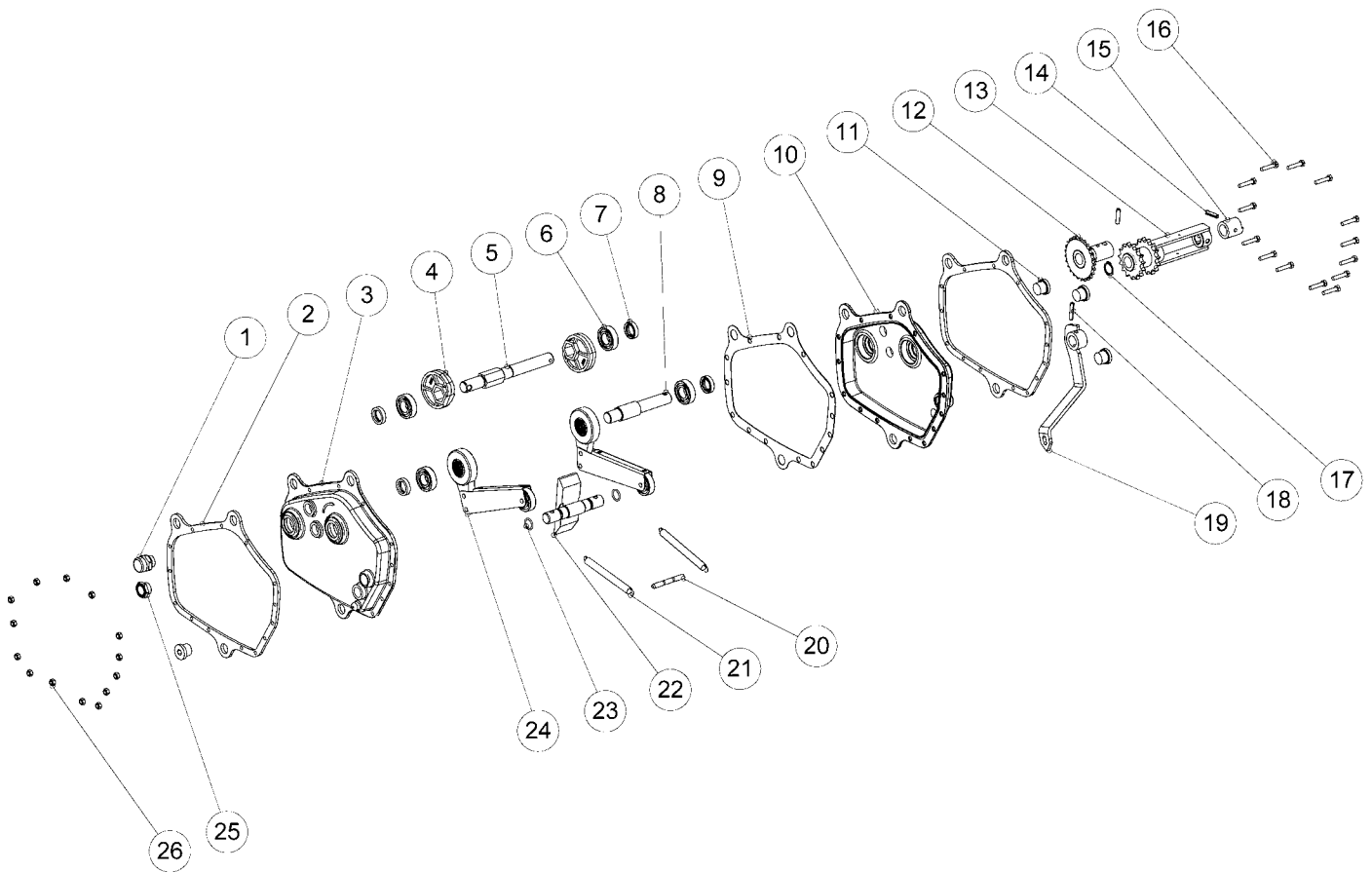
1.6 GEAR SMD, SEED



| OSA PART | KOODI CODE | NIMITYS | DESCRIPTION | SMD300 ECO | SMD400 ECO |
|-------------|---------------|--------------------------------|-------------------------|---------------|---------------|
| 1 | 31867 | SYÖTTÖAKSELI SIEM.PUOLI | FEED SHAFT, SEED | 1 | |
| | 31937 | SYÖTTÖAKSELI SIEM.PUOLI | FEED SHAFT, SEED | | 1 |
| 2 | 21206 | SEKOITINAKSELI HITSATTU | MIXER SHAFT | 1 | |
| | 21245 | SEKOITINAKSELI HITSATTU | MIXER SHAFT | | 1 |
| 3 | 31865 | PIKKULÄPÄN AKSELI | LITTLE FLAP SHAFT | 1 | |
| | 31939 | PIKKULÄPÄN AKSELI | LITTLE FLAP SHAFT | | 1 |
| 4 | 17563 | POHJÄLÄPÄN AKSELI | BOTTOM FLAP SHAFT | 2 | |
| | 18140 | POHJÄLÄPÄN AKSELI 4000 | BOTTOM FLAP SHAFT | | 2 |
| 5 | BH1511L12 | SEGER-RENG AKS 34X1.5 471 | CIRCLIP | 1 | 1 |
| 6 | 18459 | TUKILAAKERI KARDANILLE | BEARING FOR DRIVE SHAFT | 1 | 1 |
| 7 | 31855 | KARDAANIAKSELI | DRIVE SHAFT | 1 | |
| | 33004 | KARDAANIAKSELI | DRIVE SHAFT | | 1 |
| 8 | AG6113014 | 6-MUTTERI II M 6 DIN985-8 ZN | NUT | 4 | 4 |
| 9 | 17671 | VIPU HITS. | LEVER | 2 | 2 |
| 10 | 33158 | HOLKKI | BUSHING | 1 | 1 |
| 11 | 31713 | SÄÄTÖVIPU KOOTTU | LEVER | 1 | 1 |
| 12 | B840N0001 | JOUSISOKKA 4X22 DIN1481 ZNC | TUBULAR PIN | 1 | 1 |
| 13 | A06151514 | 6-RUUVI M6X35 8.8 DIN 933 ZN | SCREW | 2 | 2 |
| 14 | A02100 | URARUUVI M6X16 A2 DIN 7985 POZ | SCREW | 4 | 4 |
| 15 | 161505 | LUKITSIN SÄÄTÖVIPUUN | LOCK | 2 | 2 |
| 16 | B560B1615 | JOUSIALUSL. M6 DIN127B A2 AISI | SPRING WASHER | 4 | 4 |
| 17 | A50452 | 6-MUTTERI M6 A2 DIN934 AISI | NUT | 4 | 4 |
| 18 | A03559 | 6-RUUVI M6X60 8.8 DIN933 ZN | SCREW | 1 | 1 |
| 19 | A05101812 | 6-RUUVI M5X50 DIN 933 | SCREW | 1 | 1 |
| 20 | 21129 | HOLKKI SEK.AKSELIIN | BUSHING | 1 | 1 |
| 21 | AG8113014 | 6-MUTTERI II M 8 DIN985-8 ZN | NUT | 3 | 3 |
| 22 | D49009 | STEFA 30*55*7 CRW1R | SHAFT SEAL | 1 | 1 |
| 23 | 19922 | TIIVISTEPESÄ | HOUSING | 1 | 1 |
| 24 | A060L2025 | URAR. M6X25 4.8 DIN 84 ZN | SCREW | 2 | 2 |
| 25 | BH1S1S0J1 | SEGER-RENG REI 55X2 472 | CIRCLIP | 1 | 1 |
| 26 | BH1011L11 | SEGER-RENG AKS 30X1.5 471 | CIRCLIP | 1 | 1 |
| 27 | CE60062RS | KUULALAAKERI 6006 2 RS | BEARING | 1 | 1 |
| 28 | 17185 | LAAKERIPESÄ VIISTETTY | HOUSING | 1 | 1 |
| 29 | A060G1024 | 6-RUUVI M6X16 8.8 DIN 933 ZN | SCREW | 3 | 3 |
| 30 | 21130 | KETJUP. HITS. Z25 3/8" | PINION | 1 | 1 |
| 31 | A061A1524 | 6-RUUVI M6X40 8.8 DIN 933 ZN | SCREW | 1 | 1 |
| 32 | 21239 | KETJU SYÖTTÖAKSELILLE | CHAIN FOR FEED SHAFT | 1 | 1 |
| 33 | 31889 | VAIHDELAATIKKO KOOTTU SP | GEARBOX | 1 | 1 |
| 34 | D30142 | SIIPIVÄÄNNIN + TULPPA 80105 | KNOB | 1 | 1 |
| 35 | 19848 | KUMIPRIKKA 9*25 | WASHER | 1 | 1 |
| 36 | 31347 | KAARILEVY SIEMENPUOLI | POSITION PLATE | 1 | 1 |
| 37 | A080S3014 | LUKKOR. M8X25 4.6 DIN 603 ZN | SCREW | 3 | 3 |
| 38 | B580H1624 | ALUSLAATTA M 8 DIN125A ZN | WASHER | 2 | 2 |

1.7 VAIHDELAATIKKO, SIEMEN

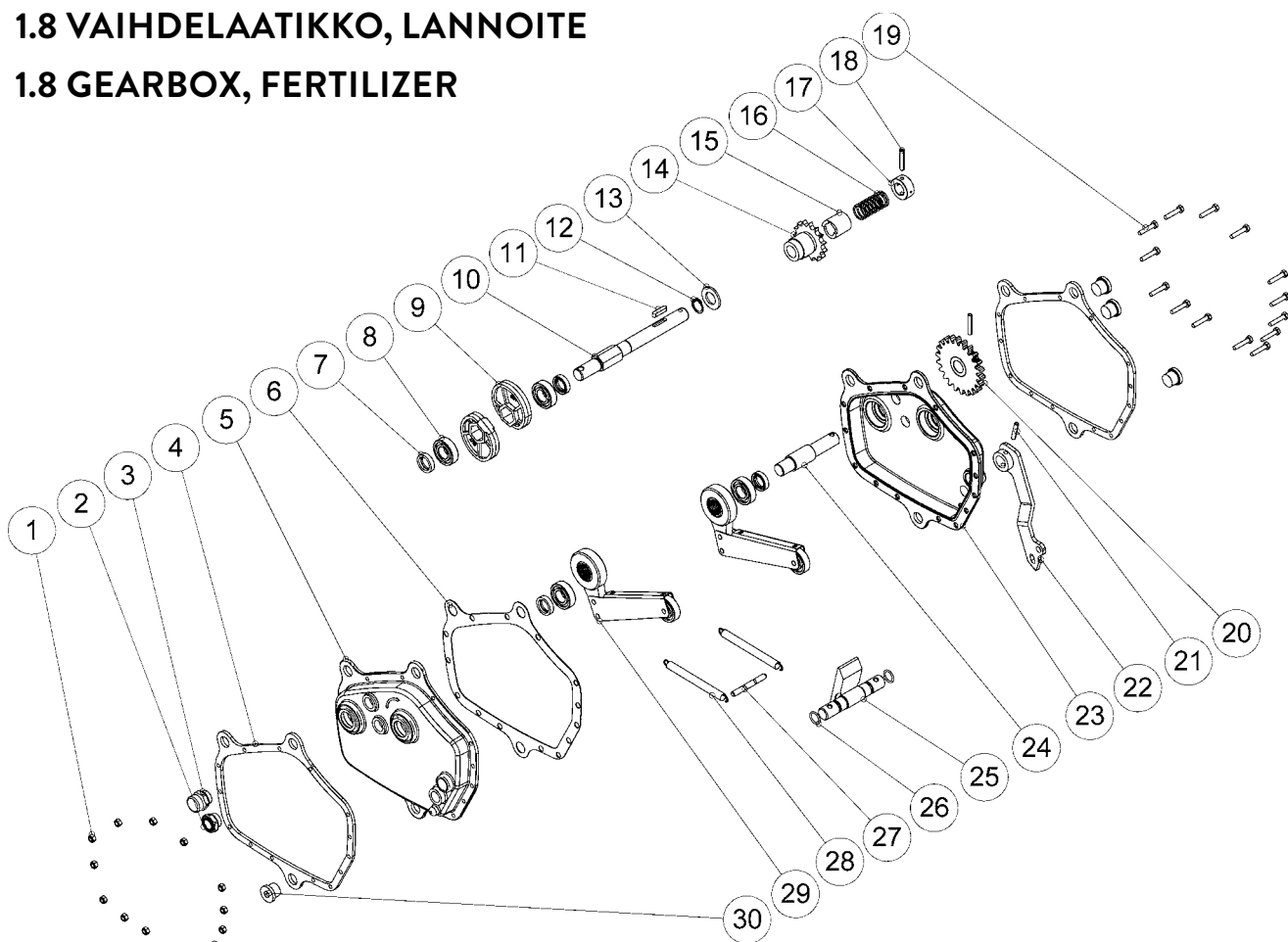
1.7 GEARBOX, SEED



| OSA PART | KOODI CODE | NIMITYS | DESCRIPTION | KPL/PCS |
|----------|------------|---|-----------------|---------|
| 1 | D123000 | HUOHOTINKORKKI 1/2 TSF-3 | BREATHER PLUG | 1 |
| 2 | 21212 | KIRISTYSVANNE | TIGHTENING RIM | 2 |
| 3 | 18648 | VAIHDELAATIKON ETUKANSI | FRONT COVER | 1 |
| 4 | 18627 | RYTMIPYÖRÄ | RHYTHM WHEEL | 2 |
| 5 | 31899 | LIMPPUAKSELI | SHAFT | 1 |
| 6 | CE60040 | KUULALAAKERI 6004 | BEARING | 4 |
| 7 | CNA20307 | STEFA DIN 3760 B20*30*7 | SHAFT SEAL | 4 |
| 8 | 18614 | TOISIOAKSELI | SECONDARY SHAFT | 1 |
| 9 | 21225 | KANNENTIIVISTE | GASKET | 1 |
| 10 | 31393 | VAIHDELAATIKON KANSI | REAR COVER | 1 |
| 11 | 133668P | KUUSIOKOLOTULPPA 02608 R1/2 | PLUG | 4 |
| 12 | 21131 | KETJUP. HITS. Z25 3/8" | PINION | 1 |
| 13 | 31903 | KYTKINRUNKO HITS. JOUISOKKA 6X28 DIN1481 | CLUTCH FRAME | 1 |
| 14 | B860V0001 | ZNC | TUBULAR PIN | 2 |
| 15 | 31904 | KYTKINNAPA REIJÄLLINEN 6-RUUVI. M6X30 8.8 DIN 933 | CLUTCH HUB | 1 |
| 16 | A020808 | MP | SCREW | 14 |
| 17 | BH012014 | SEGER-RENG AKS 20X1.2 471 | CIRCLIP | 1 |
| 18 | B86120001 | ZNC | TUBULAR PIN | 1 |
| 19 | 21139 | SAATÖVIPU HITS. SIEMENP. | LEVER | 1 |
| 20 | 18629 | TAPPI JOUSIEN ALAPÄÄ | PIVOT | 1 |
| 21 | 18626 | JOUSI | SPRING | 2 |
| 22 | 18645 | SÄÄTÖAKSELI HITS. | CONTROL SHAFT | 1 |
| 23 | D163240 | O-RENGAS 16.3*2.40 | O-RING | 2 |

1.8 VAIHDELAATIKKO, LANNOITE

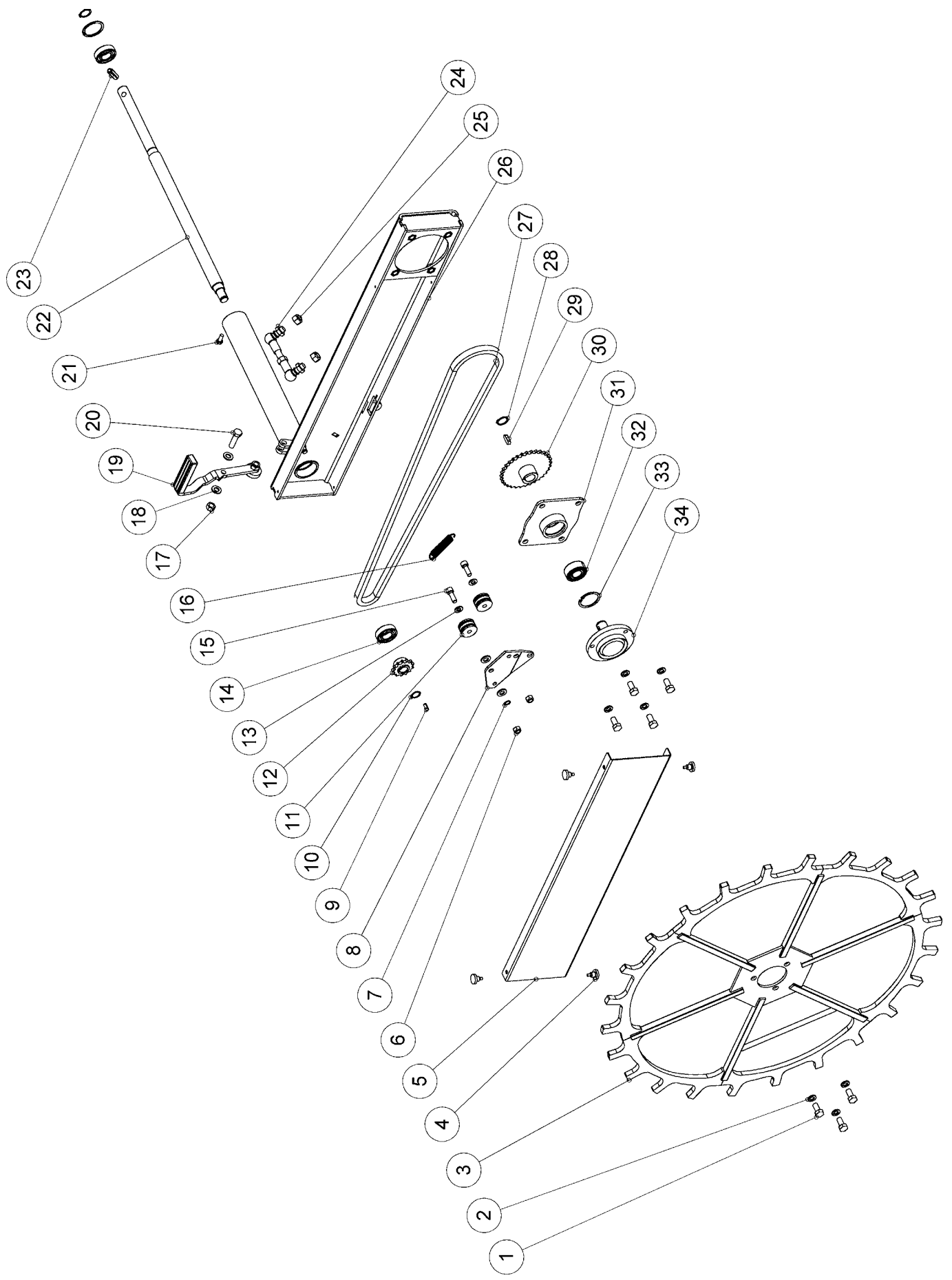
1.8 GEARBOX, FERTILIZER



| OSA PART | KOODI CODE | NIMITYS | DESCRIPTION | KPL/PCS |
|----------|------------|------------------------------|-----------------|---------|
| 1 | AG6113014 | 6-MUTTERI II M 6 DIN985-8 ZN | NUT | 14 |
| 2 | DG120TLA | ÖLJYSILMÄ 1/2 TLA-3 | OILCHECK EYE | 1 |
| 3 | D123000 | HUOHOTINKORKKI 1/2 TSF-3 | BREATHER PLUG | 1 |
| 4 | 21212 | KIRISTYSVANNE | TIGHTENING RIM | 2 |
| 5 | 18648 | VAIHDELAATIKON ETUKANSI | FRONT COVER | 1 |
| 6 | 21225 | KANNENTIIVISTE | GASKET | 1 |
| 7 | CNA20307 | STEFA DIN 3760 B20*30*7 | SHAFT SEAL | 4 |
| 8 | CE60040 | KUULALAAKERI 6004 | BEARING | 4 |
| 9 | 18627 | RYTMIPYÖRÄ | RHYTHM WHEEL | 2 |
| 10 | 31871 | LIMPPUAKSELI | SHAFT | 1 |
| 11 | 31878 | KIILA 6X6-28 | COTTER | 1 |
| 12 | BH0112014 | SEGER-RENG AKS 20X1.2 471 | CIRCLIP | 1 |
| 13 | B5L173024 | ALUSLAATTA M20 DIN125A ZN | WASHER | 1 |
| 14 | 31876 | KYTKINHOLKKI HITS. | CLUTCH SOCKET | 1 |
| 15 | 31877 | KYTKINHOLKKI URALLINEN | CLUTCH SOCKET | 1 |
| 16 | 31975 | PURISTUSJOUSI | PRESS SPRING | 1 |
| 17 | 33147 | HOLKKI | BUSHING | 1 |
| 18 | B86160001 | JOUSISOKKA 6X36 DIN1481 ZNC | TUBULAR PIN | 2 |
| 19 | A06101014 | 6-RUUVI M6X30 8.8 DIN 933 ZN | SCREW | 14 |
| 20 | 31874 | HP. HITS. Z=22 | PINION | 1 |
| 21 | B86120001 | JOUSISOKKA 6X32 DIN1481 ZNC | TUBULAR PIN | 1 |
| 22 | 31858 | SÄÄTÖVIPU HITS. LP. | LEVER | 1 |
| 23 | 31393 | VAIHDELAATIKON KANSI | REAR COVER | 1 |
| 24 | 31872 | TOISIOAKSELI | SECONDARY SHAFT | 1 |
| 25 | 18645 | SÄÄTÖAKSELI HITS. | CONTROL SHAFT | 1 |
| 26 | D163240 | O-RENGAS 16.3*2.40 | O-RING | 2 |
| 27 | 18629 | TAPPI JOUSIEN ALAPÄÄ | PIVOT | 1 |
| 28 | 18626 | JOUSI | SPRING | 2 |
| 29 | 18628 | VIPU KP | LEVER | 2 |
| 30 | D43201 | KUUSIOKOLOTTULPPA E336 1/2 | PLUG | 4 |

1.9 MAAPYÖRÄ

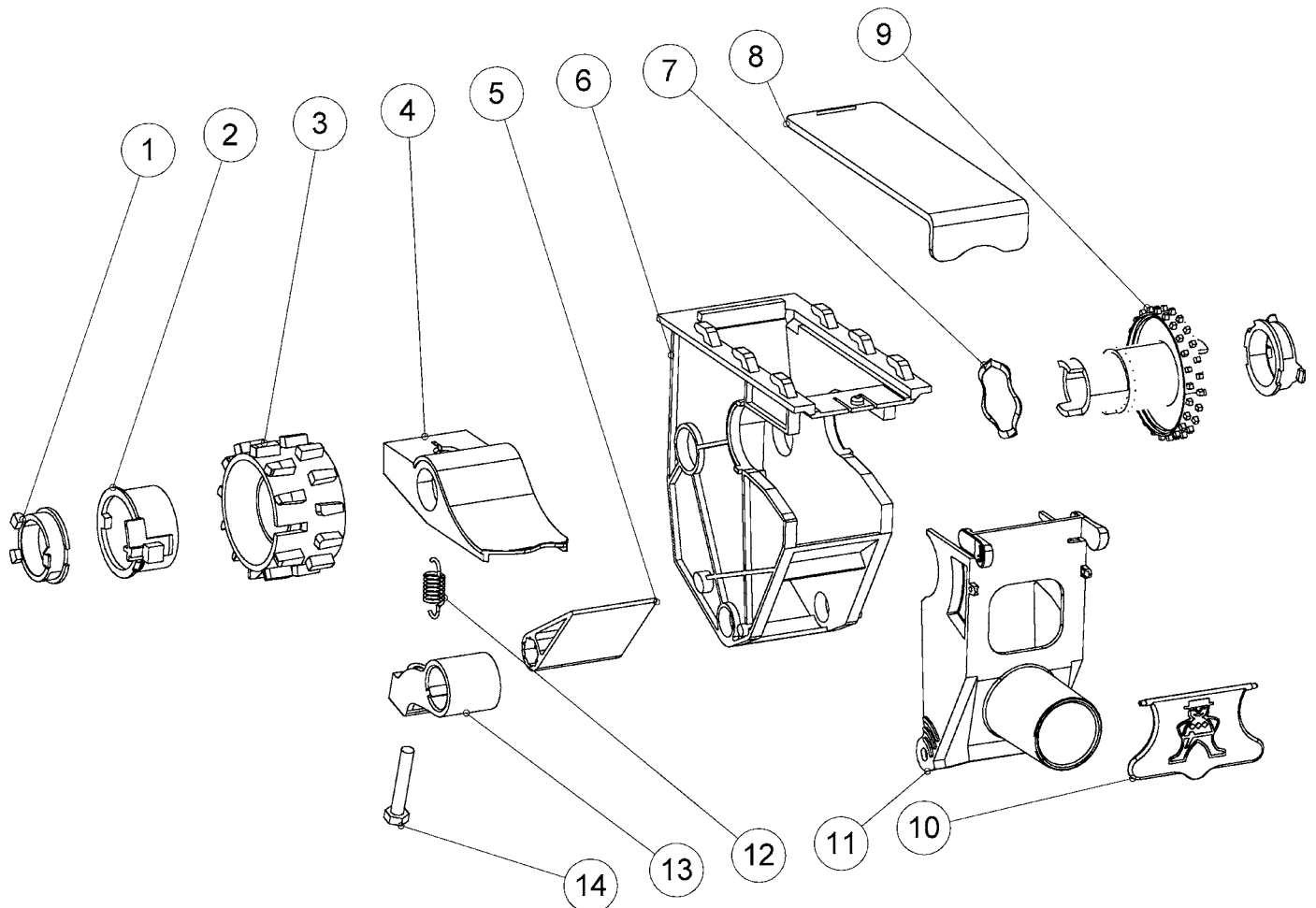
1.9 FRICTION WHEEL



| OSA PART | KOODI CODE | NIMITYS | DESCRIPTION | KPL/PCS |
|----------|------------|--------------------------------|---------------------|---------|
| 1 | A0C0S1512 | 6-RUUVI M12X25 8.8 DIN933 ZN | SCREW | 7 |
| 2 | B5C0M2514 | JOUSIALUSL.M12 DIN127B ZN | SPRING WASHER | 7 |
| 3 | 22724 | MAAPYÖRÄ HITSATTU M12 | FRICITION WHEEL | 1 |
| 4 | A01560 | SORMIRUUVI M*6X10 /32799900 | SCREW | 4 |
| 5 | 22722 | SUOJAPELTI | COVER PLATE | 1 |
| 6 | AGAI13014 | 6-MUTTERI II M10 DIN985-8 ZN | NUT | 2 |
| 7 | BH0C10011 | SEGER-RENG AKS 12X1 471 | CIRCLIP | 1 |
| 8 | 13431 | KIRISTYSKULMIO | TIGHTENING TRIANGLE | 1 |
| 9 | 17577 | KIILA 6*6*20 | COTTER | 1 |
| 10 | BH0L12014 | SEGER-RENG AKS 20X1.2 471 | CIRCLIP | 1 |
| 11 | 137224 | RULLA KETJUNKIRISTÄJÄÄN | ROLL | 2 |
| 12 | 31852 | KETJUP. HITS. Z=13 | PINION | 1 |
| 13 | B5A0MB024 | ALUSLAATTA M10 DIN125A ZN | WASHER | 2 |
| 14 | CE62052RS | KUULALAAKERI 6205 2 RS | BEARING | 2 |
| 15 | A0A104524 | 6-KOLOR.M10X30 8.8 DIN912 ZN | SCREW | 2 |
| 16 | D14105 | VETOJOUSI 2.25*18*90 SINK9208S | TENSION SPRING | 1 |
| 17 | AGC113014 | 6-MUTTERI II M12 DIN985-8 ZN | NUT | 1 |
| 18 | B5C0R2024 | ALUSLAATTA M12 DIN125A ZN | WASHER | 4 |
| 19 | 31853 | VIPU KAHVALLA KP | LEVER | 1 |
| 20 | A0C1F1014 | 6-RUUVI M12X45 8.8 DIN931ZNC | SCREW | 1 |
| 21 | A080L1514 | 6-RUUVI M8X20 8.8 DIN 933 ZN | SCREW | 1 |
| 22 | 31854 | AKSELI MAAPYÖRÄN YLÄP. | SHAFT | 1 |
| 23 | B8C140001 | JOUSISOKKA 12X40 DIN1481 ZNC | TUBULAR PIN | 1 |
| 24 | 33008 | VIPU KP | LEVER | 1 |
| 25 | AGET13014 | 6-MUTTERI II M14 DIN 985 ZN | NUT | 2 |
| 26 | 31842 | MAAPYÖRÄN KÄSIVARSI HITS. | ARM | 1 |
| 27 | 31220 | RULLAK.1/2*154 RULL. | CHAIN | 1 |
| 28 | BH0S10S14 | SEGER-RENG AKS 25X1.2 471 | CIRCLIP | 2 |
| 29 | 31849 | KIILA 8X7 L=28 | COTTER | 1 |
| 30 | 31846 | KETJUPYÖRÄ HITS. MAAPYÖRÄÄN | PINION | 1 |
| 31 | 22732 | PULTTATAVA LAIPPA HITSATTU | FLANGE | 1 |
| 32 | CE3205 | VIISTOKUULALAAKERI 3205A 2 Rs | BEARING | 1 |
| 33 | BH1N20021 | SEGER-RENG REI 52X2 472 | CIRCLIP | 2 |
| 34 | 31847 | MAAPYÖRÄN AKSELI HITS. | SHAFT | 1 |

1.10 SYÖTTÖKOTELO, SIEMEN

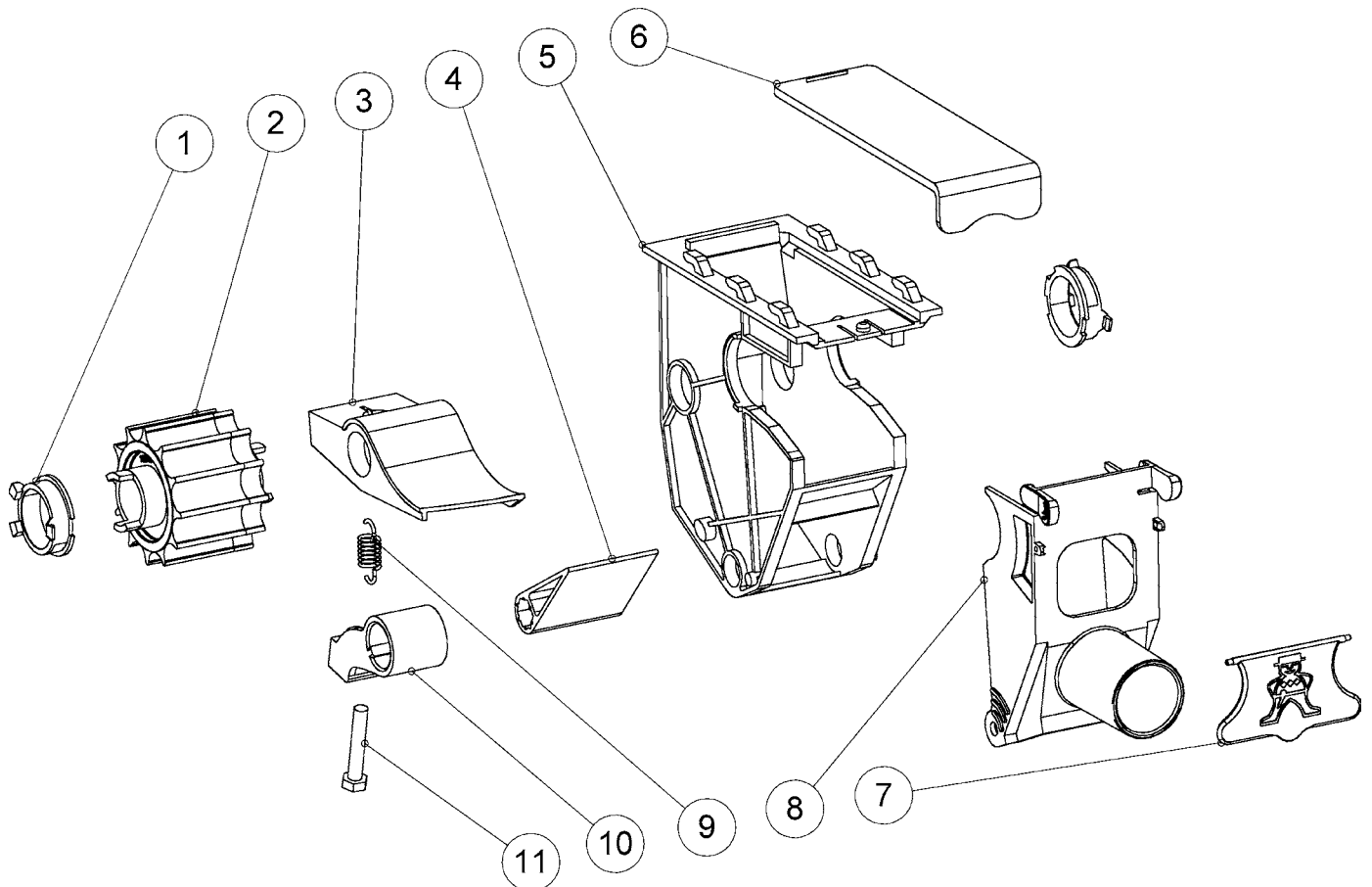
1.10 FEEDING HOPPER, SEED



| OSA PART | KOODI CODE | NIMITYS | DESCRIPTION | KPL/PCS |
|-------------|---------------|------------------------------------|------------------------------|---------|
| 1 | 17110 | SYÖTTÖRULLAN LAAKERI | BEARING | 2 |
| 2 | 17109 | LIITOSKAPPELE | JOINT PART | 1 |
| 3 | 17107 | ENSIÖSYÖTTÖRULLA | FEEDER WHEEL | 1 |
| 4 | 17104 | POHJALÄPPÄ | BOTTOM FLAP | 1 |
| 5 | 17103 | VAIHTOLÄPPÄ | SHIFT FLAP | 1 |
| 6 | 17101 | SYÖTTÖKOTELO | FEEDING HOPPER | 1 |
| 7 | 17490 | JOUSIPRIKKA SYÖTTÖL. | SPRING WASHER | 1 |
| 8 | 17102 | SULKULUUKKU | CLOSING FLAP | 1 |
| 9 | 17108 | TOISIOSYÖTTÖRULLA | SECONDARY FEEDER WHEEL | 1 |
| 10 | 18821 | PIKKULUUKKU | LITTLE FLAP | 1 |
| 11 | 17106 | SYÖTTÖLAITTEEN LUUKKU | SHUTTER | 1 |
| 12 | 17144 | POHJALÄPÄN JOUSI | SPRING FOR BOTTOM FLAP | 1 |
| 13 | 17105 | POHJALÄPÄN SISÄHOLKKI | INNER SOCKET FOR BOTTOM FLAP | 1 |
| 14 | A06151514 | 6-RUUVI M6X35 8.8 DIN 933 ZN SCREW | | 1 |

1.11 SYÖTTÖKOTELO, LANNOITE

1.11 FEEDING HOPPER, FERTILIZER



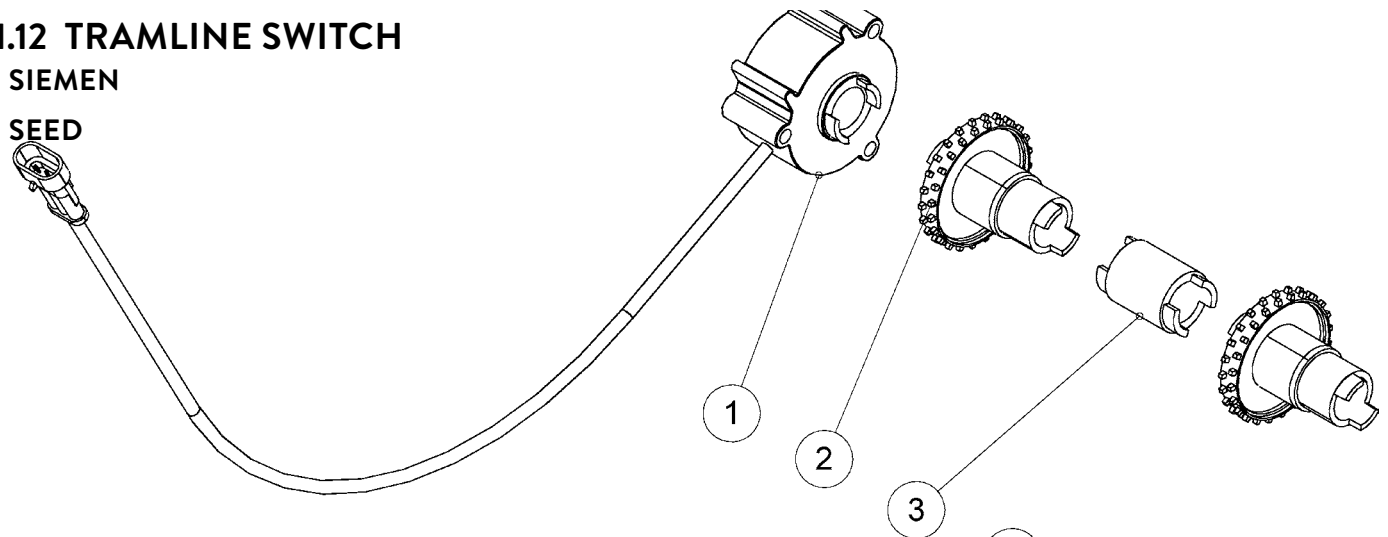
| OSA PART | KOODI CODE | NIMITYS | DESCRIPTION | KPL/PCS |
|----------|------------|--------------------------------|------------------------------|---------|
| 1 | 17110 | SYÖTTÖRULLAN LAAKERI | BEARING | 2 |
| 2 | 18518 | LANNOITESYÖTTÖRIHLA | JOINT PART | 1 |
| 3 | 18520 | LANNOITEPUOLEN POHJALÄPPÄ | BOTTOM FLAP | 1 |
| 4 | 17103 | VAIHTOLÄPPÄ | SHIFT FLAP | 1 |
| 5 | 17101 | SYÖTTÖKOTELO | FEEDING HOPPER | 1 |
| 6 | 17102 | SULKULUUKKU | CLOSING FLAP | 1 |
| 7 | 18821 | PIKKULUUKKU | LITTLE FLAP | 1 |
| 8 | 17106 | SYÖTTÖLAITTEEN LUUKKU | SHUTTER | 1 |
| 9 | 17144 | POHJALÄPÄN JOUSI | SPRING FOR BOTTOM FLAP | 1 |
| 10 | 17105 | POHJALÄPÄN SISÄHOLKKI | INNER SOCKET FOR BOTTOM FLAP | 1 |
| 11 | A06151515 | 6-RUUVI M6X35 8.8 DIN 933 AISI | SCREW | 1 |

1.12 RUIKUTUSURAKYTKIN

1.12 TRAMLINE SWITCH

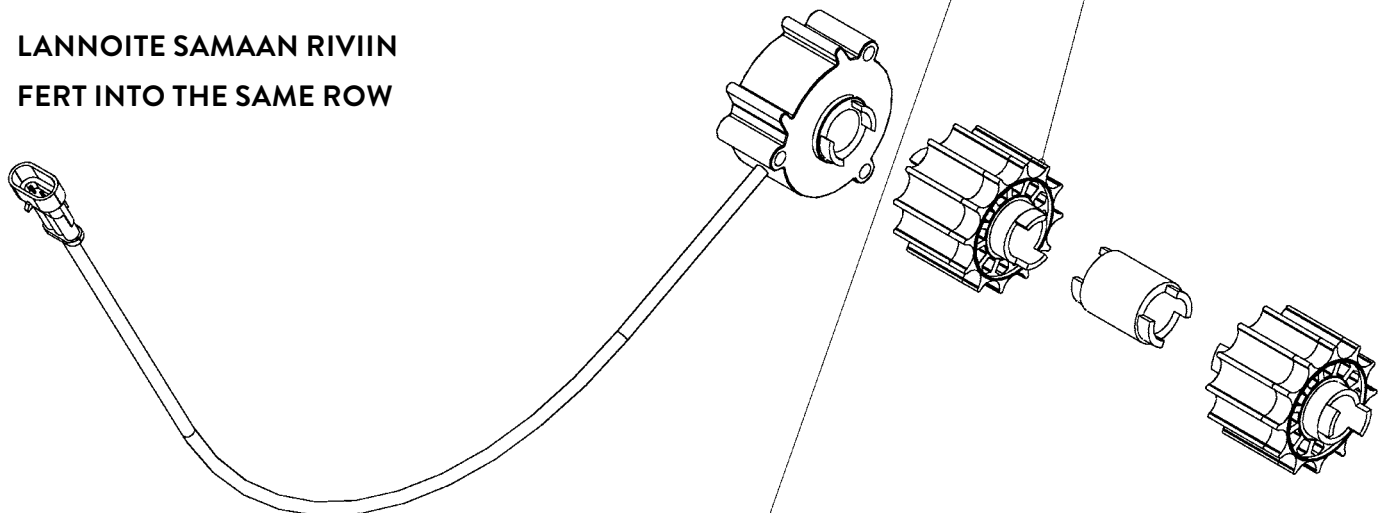
SIEMEN

SEED



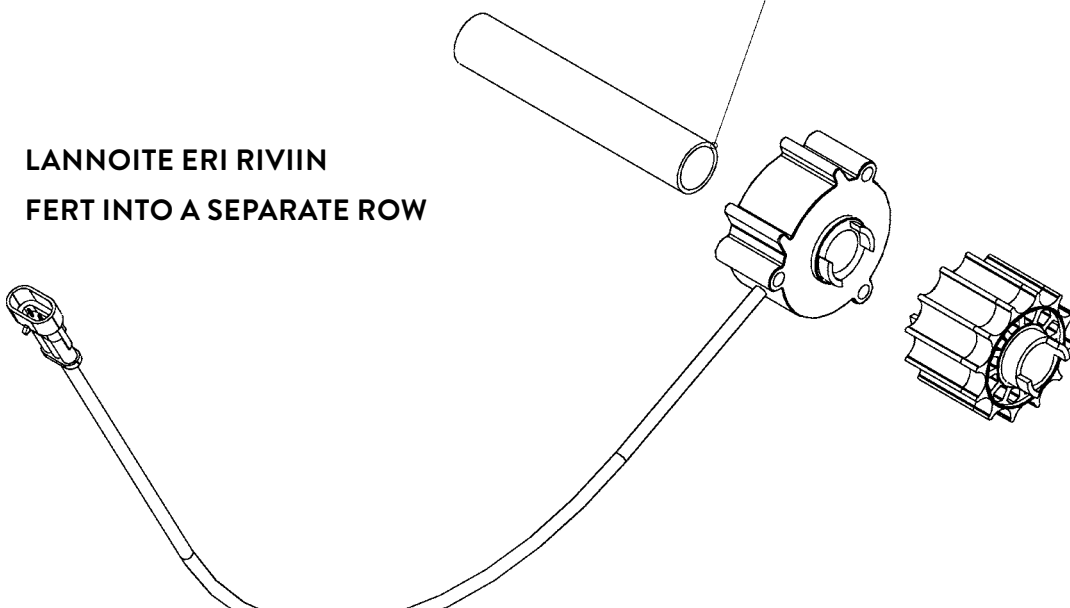
LANNOITE SAMAAIN RIVIIN

FERT INTO THE SAME ROW



LANNOITE ERI RIVIIN

FERT INTO A SEPARATE ROW



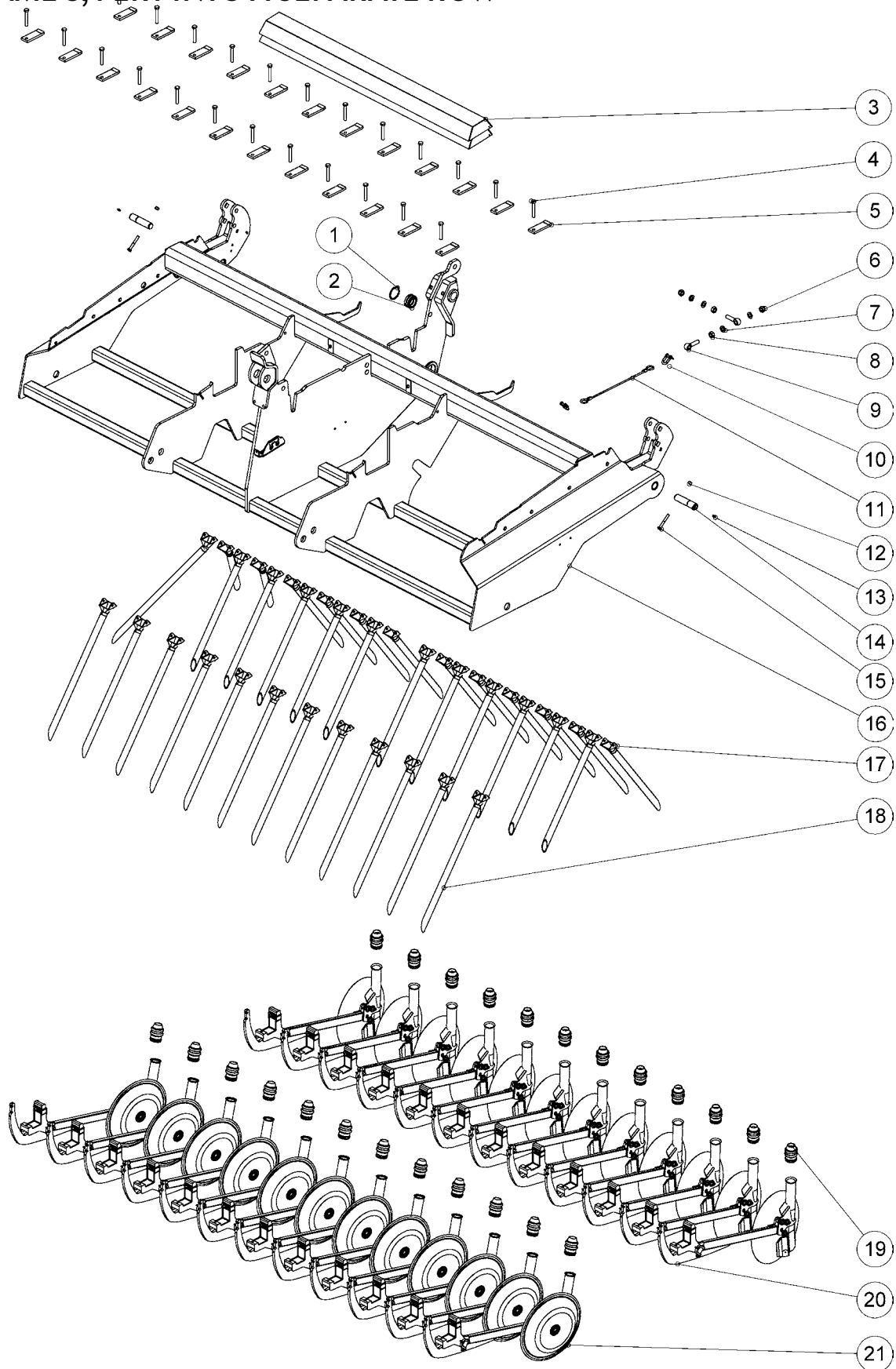
| OSA PART | KOODI CODE | NIMITYS | DESCRIPTION | SIEMEN/ GRAIN | LANN. SAMAAN/ FERT. SAME | LANN. ERI/ FERT. APART |
|-------------|---------------|--------------------------------|------------------------|------------------|-----------------------------------|---------------------------------|
| 1 | 22964 | AJOURAKYTKIN JAC 971.021.030 M | SWITCH | 1 | 1 | 1 |
| 2 | 17974 | TOISIOSYÖTTÖRULLA SORVATTU | SECONDARY FEEDER WHEEL | 2 | | |
| 3 | 17510 | VÄLIHOLKKI AJOURAMERKKARILLE | BUSHING | 1 | 1 | |
| 4 | 33109 | VÄLIHOLKKI | BUSHING | | | 1 |
| 5 | 20873 | LANNOITESYÖTTÖRIHLA SORVATTU | FEEDER RIFLING WHEEL | | 2 | 1 |

2 RUNKO JA VANTAAT

2 FRAME AND COULTERS

2.1 RUNKO S, LANNOITE ERI RIVIIN

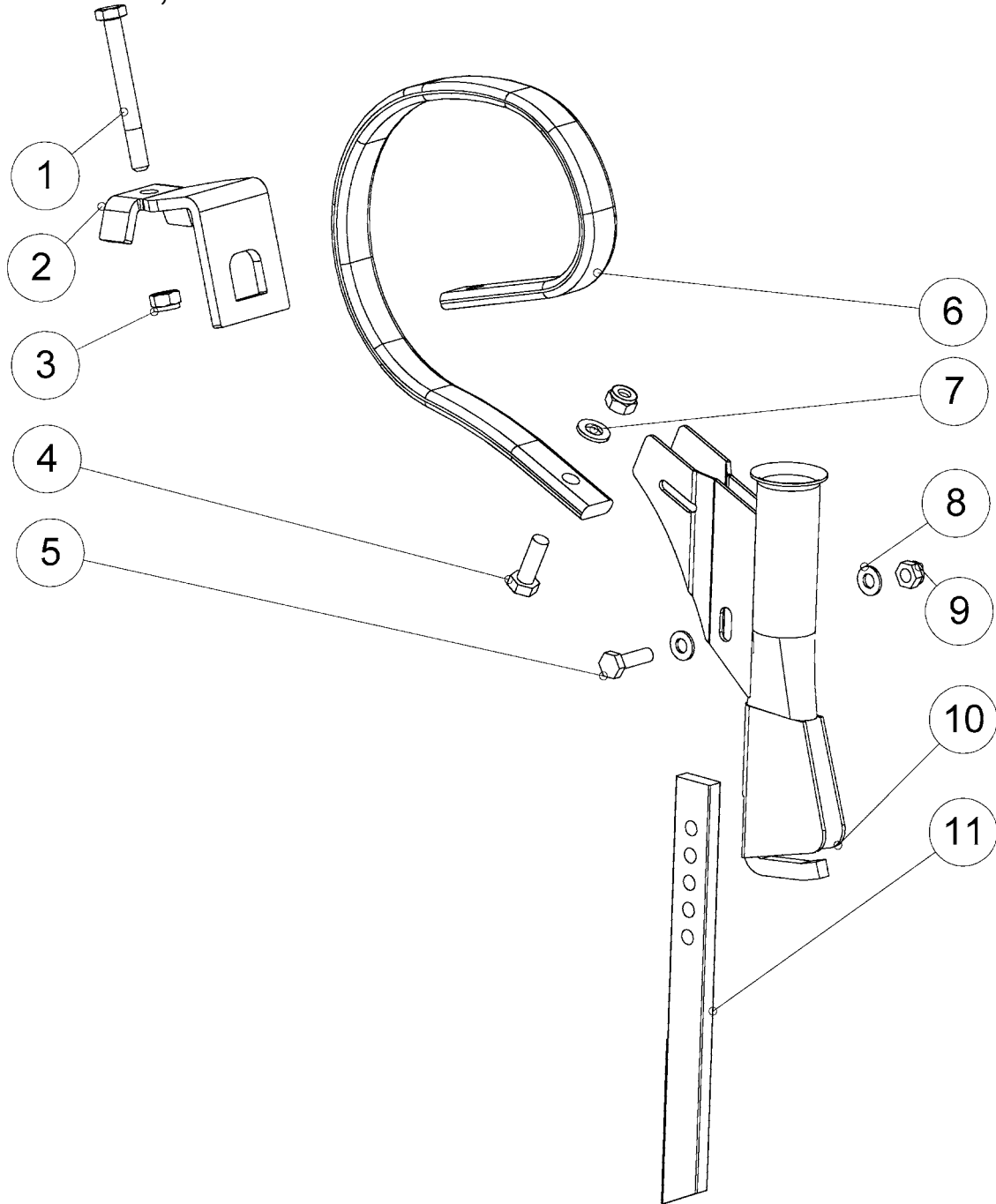
2.1 FRAME S, FERT INTO A SEPARATE ROW



| OSA PART | KOODI CODE | NIMITYS | DESCRIPTION | S300 | S400 |
|----------|------------|--------------------------------|----------------------------|------|------|
| 1 | BH2220021 | SEGER-RENG REI 62X2 472 | CIRCLIP | 1 | 1 |
| 2 | CEGE40 | NIVELLAAKERI INA GE 40 DO | BEARING | 1 | 1 |
| 3 | 17663 | KIERTOKOEKAUKALO | CALIBRATION TRAY | 2 | |
| | 18202 | KIERTOKOEKAUKALO 400 HITS. | CALIBRATION TRAY | | 2 |
| 4 | A0C2L1514 | 6-RUUVI M12X80 8.8 DIN931 ZN | SCREW | 24 | 32 |
| 5 | 31561 | KIINNITIN | HOLDER | 24 | 32 |
| 6 | AGG113014 | 6-MUTTERI II M16 DIN985-8 ZN | NUT | 2 | 2 |
| 7 | B5G102524 | ALUSLAATTA M16 DIN125A ZN | WASHER | 4 | 4 |
| 8 | A51700 | 6-MUTTERI M16 DIN934-8 ZNK | NUT | 2 | 2 |
| 9 | A0G3A1014 | SILMÄRUUVI DIN444 16x70 | SCREW | 2 | 2 |
| 10 | BC3000002 | RUUVISAKKELI M8 ZN | SHACKLE | 2 | 2 |
| 11 | 33288 | VAIJERI 6mm L=470mm | WIRE ROPE | 1 | 1 |
| 12 | AGA113014 | 6-MUTTERI II M10 DIN985-8 ZN | NUT | 2 | 2 |
| 13 | BJ6500000 | RASVANIPPA M 8*1.25 N:O 507 | GREASE NIPPLE | 2 | 2 |
| 14 | 17289 | TAPPI RUNKON PÄÄTYYN | PIVOT | 2 | 2 |
| 15 | A0A2F1514 | 6-RUUVI M10X75 8.8 DIN931 ZN | SCREW | 2 | 2 |
| 16 | 31558 | RUNKO HITS. | FRAME | 1 | |
| | 33168 | RUNKO S400 HITS. | FRAME | | 1 |
| 17 | 20606 | SIEMENSYÖTTÖPUTKI KP | FEEDER TUBE | 2 | 3 |
| | 20604 | SIEMENSYÖTTÖPUTKI KP | FEEDER TUBE | 21 | 29 |
| | 33534 | SUPPILO VINO VAS+PUTKI 650 | FEEDER TUBE, OBLIQUE | 1 | |
| 18 | 20877 | SUPPILO SUORA+PUTKI LYH LP | FEEDER TUBE | 12 | 16 |
| 19 | 32485 | MULTASUOJA KELTAINEN | DUST SHIELD | 36 | 48 |
| 20 | 32548 | 1-PUTKINEN TAKAVANNAS S KP | REAR COULTER | 12 | 16 |
| 21 | 32663 | ETUVANNAS KP | FRONT COULTER | 12 | 16 |
| | 33356 | LANNOITEVANNAS S-PIIKI | FERTILIZER COULTER, S-TINE | 12 | 16 |
| | 33357 | LANNOITEVANNAS S KAKSOISKIEKKO | FERT COULTER, DOUBLE DISC | 12 | 16 |
| | 33110 | S LANN VANNAS KUMI VASEN KP | FERT COULTER, RUBBER LEFT | 6 | 8 |
| | 33115 | S LANN VANNAS KUMI OIKEA KP | FERT COULTER, RUBBER RIGHT | 6 | 8 |

2.1.1 LANNOITEVANNAS, S-PIIKKI

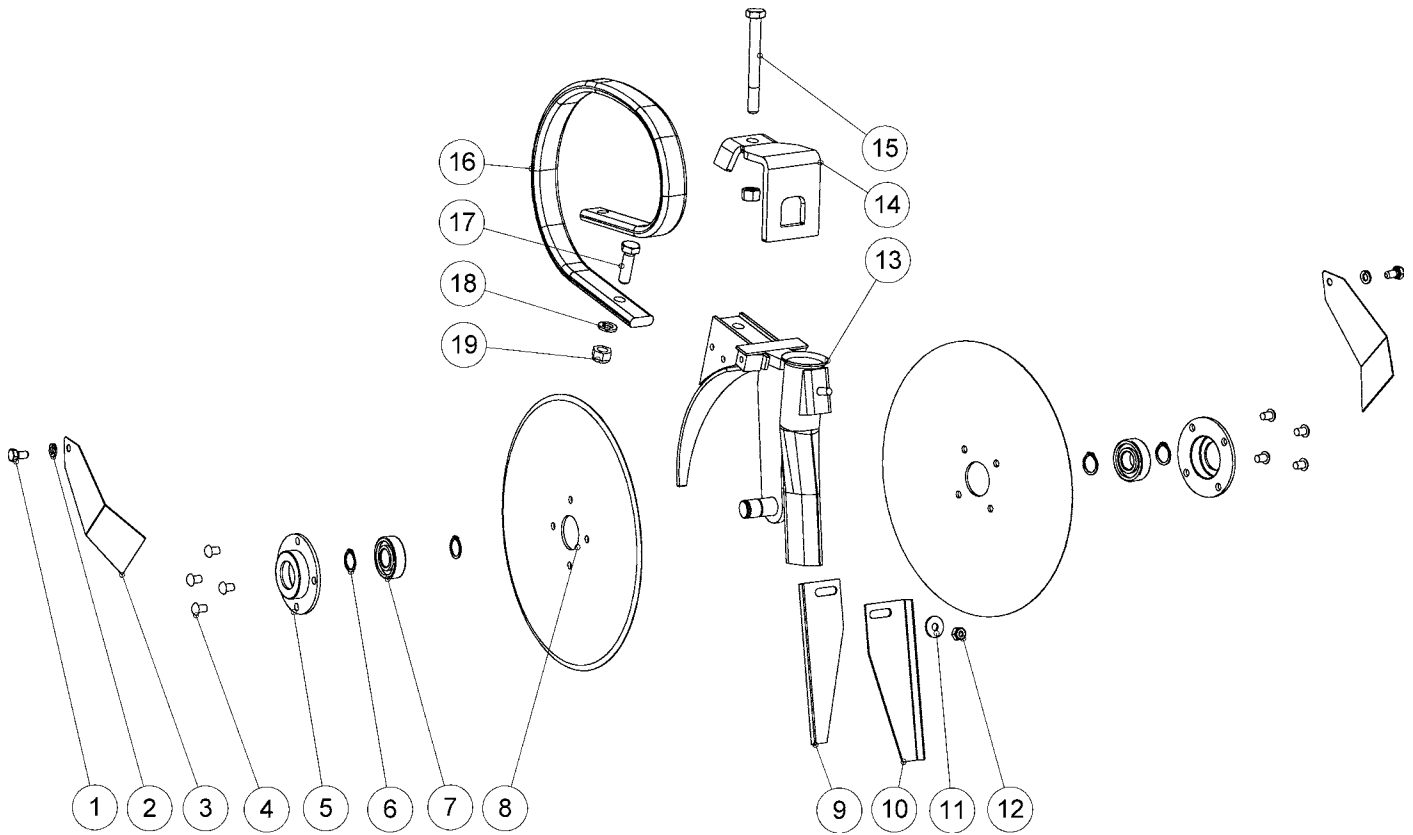
2.1.1 FERT COULTER, S-TINE



| OSA PART | KOODI CODE | NIMITYS | DESCRIPTION | KPL/PCS |
|----------|------------|----------------------------------|----------------------------|---------|
| 1 | A0C3L1514 | 6-RUUVI M12X110 8.8 DIN 931ZN | SCREW | 1 |
| 2 | 33286 | JOUSEN KIINNITIN | SPRING HOLDER | 1 |
| 3 | AGC113014 | 6-MUTTERI II M12 DIN985-8 ZN | NUT | 2 |
| 4 | A0C151514 | 6-RUUVI M12X35 8.8 DIN933 ZN | SCREW | 1 |
| 5 | A0A151014 | 6-RUUVI M10X35 8.8 DIN933 ZN | SCREW | 1 |
| 6 | 33285 | JOUSI LANNOITEVANNAS SUOMI | SPRING | 1 |
| 7 | B5C0R2024 | ALUSLAATTA M12 DIN125A ZN | WASHER | 1 |
| 8 | B5A0MB024 | ALUSLAATTA M10 DIN125A ZN | WASHER | 2 |
| 9 | AGA113014 | 6-MUTTERI II M10 DIN985-8 ZN | NUT | 1 |
| 10 | 137252 | VANNASPUTKI LANN. MAALATTU | COULTER TUBE | 1 |
| 11 | 13101 | LANN.VANT.KÄRKI. M87 48625S | COULTER TOP | 1 |
| | 33356 | LANNOITEVANNAS S-PIIKILLÄ KOOTTU | FERTILIZER COULTER, S-TINE | |

2.1.2 LANNOITEVANNAS, S-KAKSOISKIEKKO

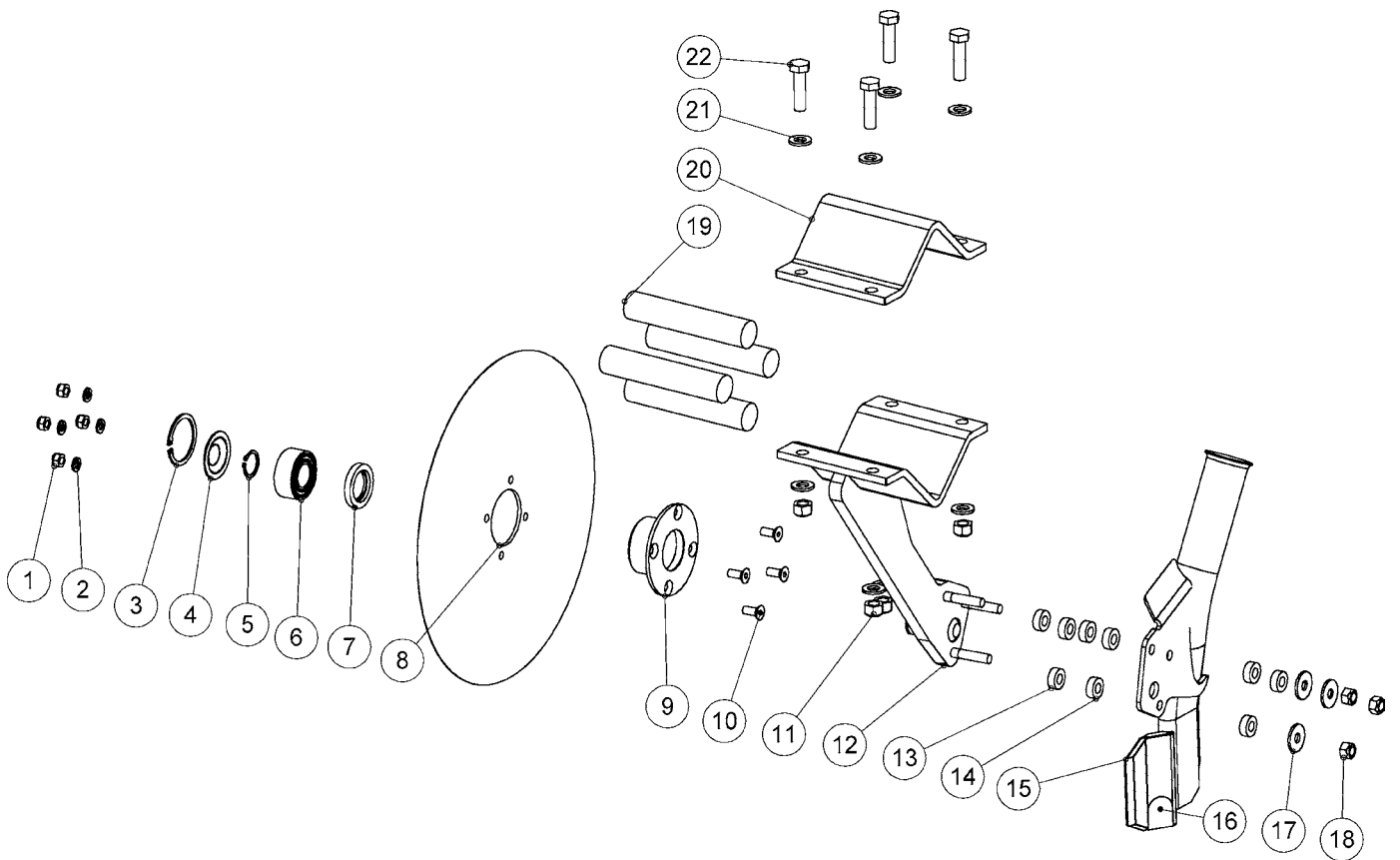
2.1.2 FERT COULTER, S-DOUBLE-DISC COULTER



| OSA PART | KOODI CODE | NIMITYS | DESCRIPTION | KPL/PCS |
|----------|------------|---------------------------------|---------------------------|---------|
| 1 | A04220 | 6-RUUVI M8X16 A2-80 DIN 933 AI | SCREW | 2 |
| 2 | B580E2015 | JOUSIALUSLEVY M8 AISI | SPRING WASHER | 2 |
| 3 | 16364 | RAAPIJA | SCRAPER | 2 |
| 4 | B180C1110 | NIITTI KUPUK. 8X12 DIN660 ST | RIVET | 8 |
| 5 | 10732 | LAAKERIPESÄ VANNASKIEKKOON | BEARING HOUSING | 2 |
| 6 | BH01I2014 | SEGER-RENG AKS 20X1.2 471 | CIRCLIP | 4 |
| 7 | CE62042RS | KUULALAAKERI 6204 2 RS | BEARING | 2 |
| 8 | 10731 | KIEKKO LANNOITEVANT.M-JAPANI | COULTER DISC | 2 |
| 9 | 10726 | TAKAPELTI LANN.VANT.JAPANI | REAR PLATE | 1 |
| 10 | 16509 | TAKAPELTI LANN.VANT.JAPANI | REAR PLATE | 1 |
| 11 | B5A0V1525 | KORILAATTA M8 DIN9021 A2 | WASHER | 1 |
| 12 | A50710 | 6-MUTTERI II M8 A2 DIN985 AISI | NUT | 1 |
| 13 | 16425 | LANN.VANTAAN | COULTER TUBE | 1 |
| 14 | 33286 | JOUSEN KIINNITIN | SPRING HOLDER | 1 |
| 15 | A0C3L1514 | 6-RUUVI M12X110 8.8 DIN931ZN | SCREW | 1 |
| 16 | 33368 | JOUSI LANNOITEVANNAS JAPANI | SPRING | 1 |
| 17 | A0C1A1014 | 6-RUUVI M12X40 8.8 DIN933 ZN | SCREW | 1 |
| 18 | B5C0M2514 | JOUSIALUSL.M12 DIN127B ZN | SPRING WASHER | 1 |
| 19 | AGC113014 | 6-MUTTERI II M12 DIN985-8 ZN | NUT | 2 |
| | 33357 | LANN.VANNAS S-KAKSOISKIEKKO KP. | FERT COULTER, DOUBLE DISC | |

2.1.3 LANNOITEVANNAS, KUMIPATUKKA

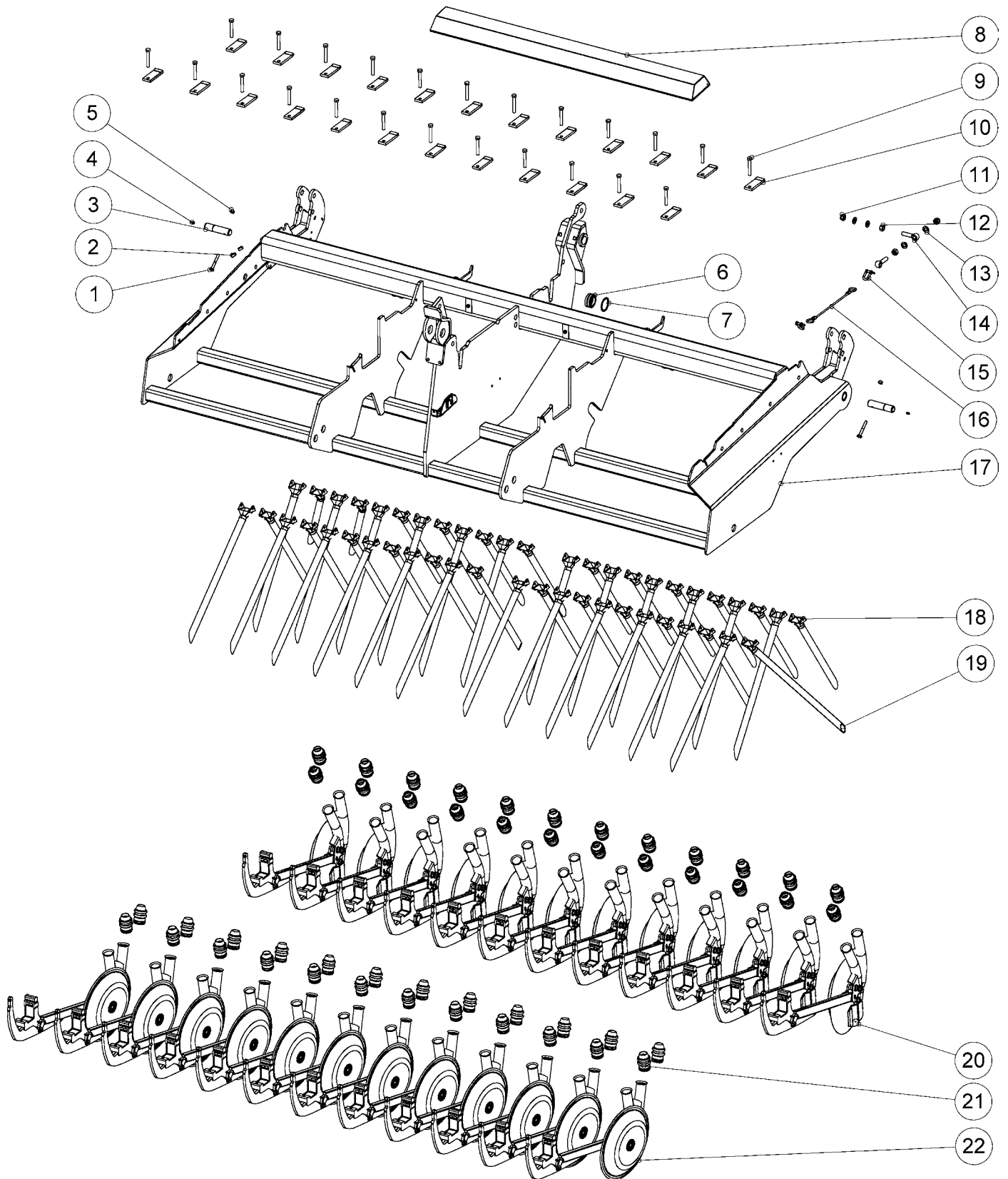
2.1.3 FERT COULTER, RUBBER STICK



| OSA PART | KOODI CODE | NIMITYS | DESCRIPTION | VAS./ LEFT | OIK./ RIGHT |
|----------|------------|-----------------------------------|---------------------------|------------|-------------|
| 1 | AG8113014 | 6-MUTTERI II M 8 DIN985-8 ZN | NUT | 4 | 4 |
| 2 | B580E2014 | JOUSIALUSL.M 8 DIN127B ZN | SPRING WASHER | 4 | 4 |
| 3 | BH1N20021 | SEGER-RENG REI 52X2 472 | CIRCLIP | 1 | 1 |
| 4 | 31284 | SUOJALEVY 51mm | COVER PLATE | 1 | 1 |
| 5 | BH0S10S14 | SEGER-RENG AKS 25X1.2 471 | CIRCLIP | 1 | 1 |
| 6 | CE3205 | VIISTOKUULALAAKERI 3205A 2 RS | BEARING | 1 | 1 |
| 7 | CNA304770 | STEFA DIN 3760 A30*47*7 | SHAFT SEAL | 1 | 1 |
| 8 | 31357 | KIEKKO 14" | COULTER DISC | 1 | 1 |
| 9 | 31356 | VANTAAN NAPA | HUB | 1 | 1 |
| 10 | A080L4511 | 6-KOLOR.UPP.M8X20 10.9DIN7991 ZN | SCREW | 4 | 4 |
| 11 | AGC113014 | 6-MUTTERI II M12 DIN985-8 ZN | NUT | 4 | 4 |
| 12 | 33210 | S LANN. VANTAAN VARSII VASEN KUMI | COULTER ARM, LEFT | 1 | |
| | 33219 | S LANN. VANTAAN VARSII OIK. KUMI | COULTER ARM, RIGHT | | 1 |
| 13 | 32547 | PAIKOITUSHOLKKI | BUSHING | 3 | 3 |
| 14 | 31389 | KUMIPRIKKA | WASHER | 6 | 6 |
| 15 | 33201 | PUTKI HITS. VAS. LANN.VANNAS | COULTER TUBE | 1 | |
| | 33213 | PUTKI HITS. OIK. LANN.VANNAS | COULTER TUBE | | 1 |
| 16 | 31388 | KARBIDIPALA | CARBIDE PIECE | 1 | 1 |
| 17 | B5A0V1524 | KORILAATTA M10 DIN9021B ZN | WASHER | 3 | 3 |
| 18 | AGA113014 | 6-MUTTERI II M10 DIN985-8 ZN | NUT | 3 | 3 |
| 19 | 33114 | KUMIPATUKKA 150mm | RUBBER STICK | 4 | 4 |
| 20 | 33112 | KIINNITIN VANTAALLE | COULTER HOLDER | 1 | 1 |
| 21 | B5C0R2024 | ALUSLAATTA M12 DIN125A ZN | WASHER | 8 | 8 |
| 22 | A0C1F1024 | 6-RUUVI M12X45 8.8 DIN933 ZN | SCREW | 4 | 4 |
| | 33110 | LANN.VANNAS KUMIP. VAS. KP | FERT COULTER, RUBBER LEFT | | |

2.2 RUNKO S, COMBI

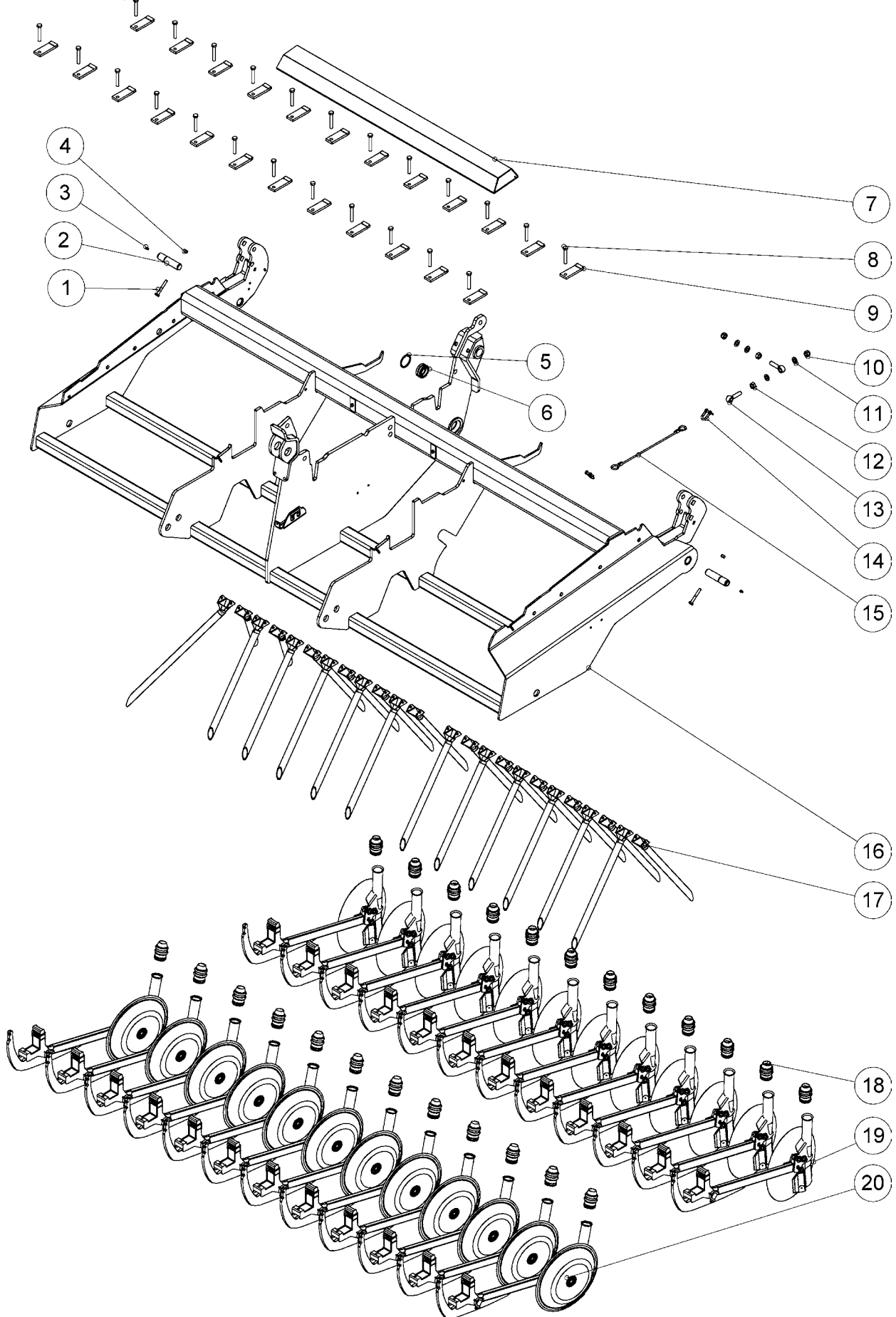
2.2 FRAME S, COMBI



| OSA PART | KOODI CODE | NIMITYS | DESCRIPTION | S300 | S400 |
|----------|------------|--------------------------------|----------------------|------|------|
| 1 | A0A2F1514 | 6-RUUVI M10X75 8.8 DIN931 ZN | SCREW | 2 | 2 |
| 2 | 13445 | HOLKKI KETJUNKIRISTÄJÄÄN | SPACER | 2 | 2 |
| 3 | 17289 | TAPPI RUNGON PÄÄTYYN | PIVOT | 2 | 2 |
| 4 | BJ6500000 | RASVANIPPA M 8*1.25 N:O 507 | GREASE NIPPLE | 2 | 2 |
| 5 | AGA113014 | 6-MUTTERI II M10 DIN985-8 ZN | NUT | 2 | 2 |
| 6 | CEGE40 | NIVELLAAKERI INA GE 40 DO | BEARING | 1 | 1 |
| 7 | BH2220021 | SEGER-RENG REI 62X2 472 | CIRCLIP | 1 | 1 |
| 8 | 17663 | KIERTOKOEKAUKALO | CALIBRATION TRAY | 2 | |
| | 18202 | KIERTOKOEKAUKALO 400 HITS. | CALIBRATION TRAY | | 2 |
| 9 | A0C2L1514 | 6-RUUVI M12X80 8.8 DIN931 ZN | SCREW | 24 | 32 |
| 10 | 31561 | KIINNITIN | HOLDER | 24 | 32 |
| 11 | AGG113014 | 6-MUTTERI II M16 DIN985-8 ZN | NUT | 2 | 2 |
| 12 | A51700 | 6-MUTTERI M16 DIN934-8 ZNK | NUT | 2 | 2 |
| 13 | B5G102524 | ALUSLAATTA M16 DIN125A ZN | WASHER | 4 | 4 |
| 14 | A0G3A1014 | SILMÄRUUVI DIN444 16x70 | SCREW | 2 | 2 |
| 15 | BC3000002 | RUUVISAKKELI M8 ZN | SHACKLE | 2 | 2 |
| 16 | 20652 | VAIJERI 6mm-400mm | WIRE ROPE | 1 | 1 |
| 17 | 31558 | RUNKO HITS. | FRAME | 1 | |
| | 33168 | RUNKO S400 HITS. | FRAME | | 1 |
| 18 | 20606 | SIEMENSYÖTTÖPUTKI KP | FEEDER TUBE | 2 | 2 |
| | 20877 | SUPPILO SUORA+PUTKI LYH LP | FEEDER TUBE | 12 | 15 |
| | 20604 | SIEMENSYÖTTÖPUTKI KP | FEEDER TUBE | 10 | 14 |
| | 33149 | LANN.SYÖTTÖPUTKI VINO L=650 | FEEDER TUBE | | 1 |
| 19 | 20877 | SUPPILO SUORA+PUTKI LYH LP | FEEDER TUBE | 12 | 16 |
| | 20878 | SUPPILO SUORA+PUTKI PIT LP | FEEDER TUBE | 11 | 15 |
| | 33482 | LANN.SYÖTTÖPUTKI VINO L=750 VA | FEEDER TUBE | 1 | 1 |
| 20 | 32546 | 2-PUTKINEN TAKAVANNAS S KP | REAR COULTER 2-TUBE | 12 | 16 |
| 21 | 32485 | MULTASUOJA KELTAINEN | DUST SHIELD | 48 | 64 |
| 22 | 32653 | ETUVANNAS KP 2-PUTKINEN | FRONT COULTER 2-TUBE | 12 | 16 |

2.3 RUNKO S, SEED

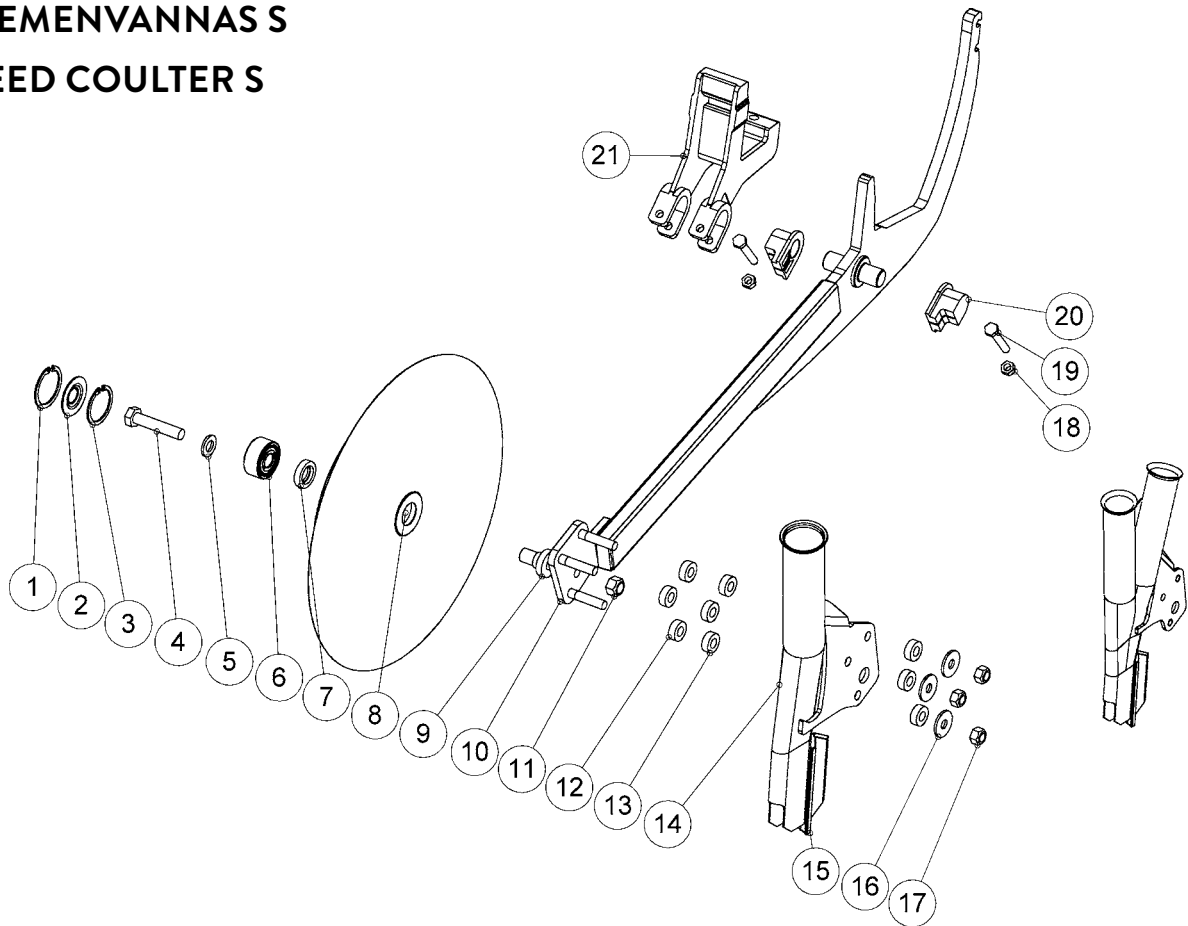
2.3 FRAME S, SEED



| OSA PART | KOODI CODE | NIMITYS | DESCRIPTION | S300 | S400 |
|----------|------------|------------------------------|------------------|------|------|
| 1 | A0A2F1514 | 6-RUUVI M10X75 8.8 DIN931 ZN | SCREW | 2 | 2 |
| 2 | 17289 | TAPPI RUNGON PÄÄTYYN | PIVOT | 2 | 2 |
| 3 | BJ6500000 | RASVANIPPA M 8*1.25 N:O 507 | GREASE NIPPLE | 2 | 2 |
| 4 | AGA113014 | 6-MUTTERI II M10 DIN985-8 ZN | NUT | 2 | 2 |
| 5 | BH2220021 | SEGER-RENG REI 62X2 472 | CIRCLIP | 1 | 1 |
| 6 | CEGE40 | NIVELLAAKERI INA GE 40 DO | BEARING | 1 | 1 |
| 7 | 17663 | KIERTOKOEKAUKALO | CALIBRATION TRAY | 2 | |
| | 18202 | KIERTOKOEKAUKALO 400 HITS. | CALIBRATION TRAY | | 2 |
| 8 | A0C2L1514 | 6-RUUVI M12X80 8.8 DIN931 ZN | SCREW | 24 | 32 |
| 9 | 31561 | KIINNITIN | HOLDER | 24 | 32 |
| 10 | AGG113014 | 6-MUTTERI II M16 DIN985-8 ZN | NUT | 2 | 2 |
| 11 | B5G102524 | ALUSLAAATTA M16 DIN125A ZN | WASHER | 4 | 4 |
| 12 | A51700 | 6-MUTTERI M16 DIN934-8 ZNK | NUT | 2 | 2 |
| 13 | A0G3A1014 | SILMÄRUUVI DIN444 16x70 | SCREW | 2 | 2 |
| 14 | BC3000002 | RUUVISAKKELI M8 ZN | SHACKLE | 2 | 2 |
| 15 | 33288 | VAIJERI 6mm L=470mm | WIRE ROPE | 1 | 1 |
| 16 | 31558 | RUNKO HITS. | FRAME | 1 | |
| | 33168 | RUNKO S400 HITS. | FRAME | | 1 |
| 17 | 20606 | SIEMENSYÖTTÖPUTKI KP | FEEDER TUBE | 2 | 3 |
| | 20604 | SIEMENSYÖTTÖPUTKI KP | FEEDER TUBE | 21 | 29 |
| | 33534 | SUPPILO VINO VAS+PUTKI 650 | FEEDER TUBE | 1 | |
| 18 | 32485 | MULTASUOJA KELTAINEN | DUST SHIELD | 24 | 32 |
| 19 | 32548 | 1-PUTKINEN TAKAVANNAS S KP | REAR COULTER | 12 | 16 |
| 20 | 32663 | ETUVANNAS KP | FRONT COULTER | 12 | 16 |

2.4 SIEMENVANNAS S

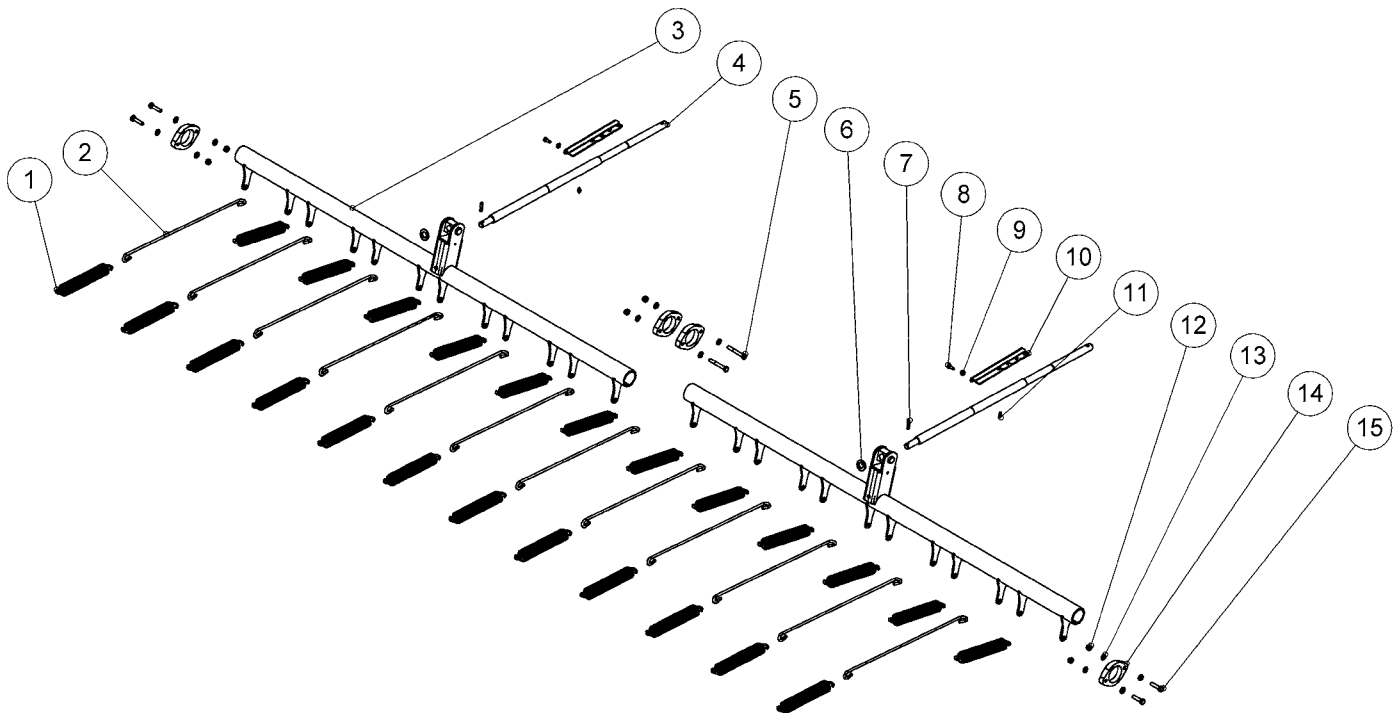
2.4 SEED COULTER S



| OSA PART | KOODI CODE | NIMITYS | DESCRIPTION | ETU/ TAKA/ FRONT REAR | |
|----------|------------|----------------------------------|-----------------------|--------------------------|---|
| | | | | | |
| 1 | BH1CA1215 | DIN_472-45x1.75 | CIRCLIP | 1 | 1 |
| 2 | 31275 | KUPPI | COVER PLATE | 1 | 1 |
| 3 | BH1CA1214 | SEGER-RENG REI 42X1.75 472 | CIRCLIP | 1 | 1 |
| 4 | A0C201514 | 6-RUUVI M12X60 8.8 DIN931 ZN | SCREW | 1 | 1 |
| 5 | B5C0R2024 | ALUSLAATTA M12 DIN125A ZN | WASHER | 1 | 1 |
| 6 | 3302SKF | LAAKERI 3302 A-2RS | BEARING | 1 | 1 |
| 7 | CNA20302 | STEFA DIN3760 A18x30x7 | SHAFT SEAL | 1 | 1 |
| 8 | 22973 | VANNASKIEKKO HITS./KONEISTUS | COURTEL DISC | 1 | 1 |
| 9 | 32547 | PAIKOITUSHOLKKI | BUSHING | 3 | 3 |
| 10 | 32655 | VARSII HITS. ETUVANNAS | COULTER ARM, FRONT | 1 | |
| | 32545 | TAKAVANTAAN VARSII 2-PUTKINEN S | COULTER ARM, REAR | | 1 |
| 11 | AGC113014 | 6-MUTTERI II M12 DIN985-8 ZN | NUT | 1 | 1 |
| 12 | 32547 | PAIKOITUSHOLKKI | BUSHING | 3 | 3 |
| 13 | 31389 | KUMIPRIKKA | WASHER | 6 | 6 |
| 14 | 32664 | PUTKI HITS. 1-PUTKINEN | COULTER 1-TUBE | 1 | |
| | 32549 | PUTKI HITS. 1-PUTKINEN | COULTER 1-TUBE | | 1 |
| | 32657 | PUTKET HITS. ETUM.VANNAS 2- PUT. | COULTER 2-TUBE | 1 | |
| | 32524 | PUTKET HITS. TAKA M 2-PUTKINEN | COULTER 2-TUBE | | 1 |
| 15 | 31388 | KARBIDIPALA | CARBIDE PIECE | 1 | 1 |
| 16 | B5A0V1524 | KORILAATTA M10 DIN9021B ZN | WASHER | 3 | 3 |
| 17 | AGA113014 | 6-MUTTERI II M10 DIN985-8 ZN | NUT | 3 | 3 |
| 18 | AG8113014 | 6-MUTTERI II M 8 DIN985-8 ZN | NUT | 2 | 2 |
| 19 | A081S1014 | 6-RUUVI M8X55 8.8 DIN 931ZNC | SCREW | 2 | 2 |
| 20 | 31786 | MUOVILAAKERI | PLASTIC BEARING | 2 | 2 |
| 21 | 31784 | VANTAAN KIINNITIN | COULTER HOLDER | 1 | 1 |
| | 32663 | SIEMENVANN. ETU, 1- PUTKINEN KP | COULTER FRONT, 1-TUBE | | |
| | 32653 | SIEMENVANN. ETU, 2- PUTKINEN KP | COULTER FRONT, 2-TUBE | | |
| | 32548 | SIEMENVANN. TAKA, 1- PUTKINEN KP | COULTER REAR, 1-TUBE | | |
| | 32546 | SIEMENVANN. TAKA, 2- PUTKINEN KP | COULTER REAR, 2-TUBE | | |

2.5 VANNASPAINATUKSEN KESKUSSÄÄTÖ S, MEKAANINEN

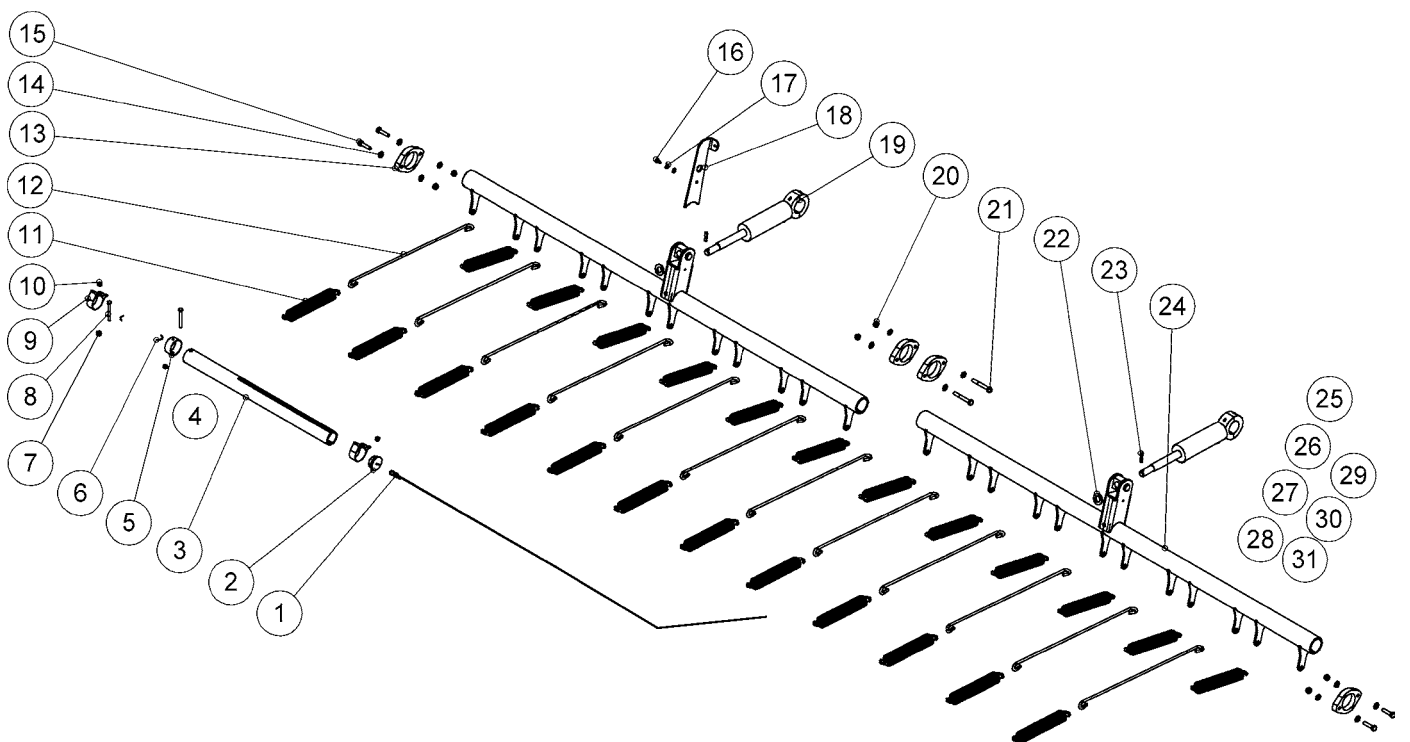
2.5 CENTRAL ADJUSTMENT OF THE COULTER PRESSURE S, MECHANICAL



| OSA PART | KOODI CODE | NIMITYS | DESCRIPTION | S300 | S400 |
|-------------|---------------|------------------------------|-----------------------|------|------|
| 1 | 33019 | VETOJOUSI 4.5*200 | TENSION SPRING | 24 | 32 |
| 2 | 33018 | TANKO ETUVANTAALLE S300/400 | BAR FOR FRONT COULTER | 12 | 16 |
| 3 | 31521 | KESKUSSÄÄDÖN PUTKI HITS S300 | BAR | 2 | |
| | 33171 | KESKUSSÄÄDÖN PUTKI HITS. | BAR | | 2 |
| 4 | 31522 | VANTAIDEN SÄÄTÖRUUVI | ADJUSTMENT SCREW | 2 | 2 |
| 5 | A05960 | 6-RUUVI M8X60 8.8 DIN 931 ZN | SCREW | 2 | 2 |
| 6 | B5G102524 | ALUSLAATTA M16 DIN125A ZN | WASHER | 2 | 2 |
| 7 | B860T0004 | JOUSISOKKA 6X26 DIN1481 ZNC | TUBULAR PIN | 2 | 2 |
| 8 | A060G1024 | 6-RUUVI M6X16 8.8 DIN 933 ZN | SCREW | 2 | 2 |
| 9 | B560E1524 | ALUSLAATTA M 6 DIN125A ZN | WASHER | 2 | 2 |
| 10 | 31526 | KESKUSSÄÄDÖN ASTEIKKO | SCALE INDICATOR | 2 | 2 |
| 11 | BJ6150400 | RASVANIPPA M6*1/SUORA N 504 | GREASE NIPPLE | 2 | 2 |
| 12 | AG8113014 | 6-MUTTERI II M 8 DIN985-8 ZN | NUT | 6 | 6 |
| 13 | B580H1624 | ALUSLAATTA M 8 DIN125A ZN | WASHER | 12 | 12 |
| 14 | 33349 | AKSELIN KIINNITIN | SHAFT HOLDER | 4 | 4 |
| 15 | A08151514 | 6-RUUVI M8X35 8.8 DIN 933 ZN | SCREW | 4 | 4 |

2.6 VANNASPAINATUKSEN KESKUSSÄÄTÖ S, HYDRAULINEN

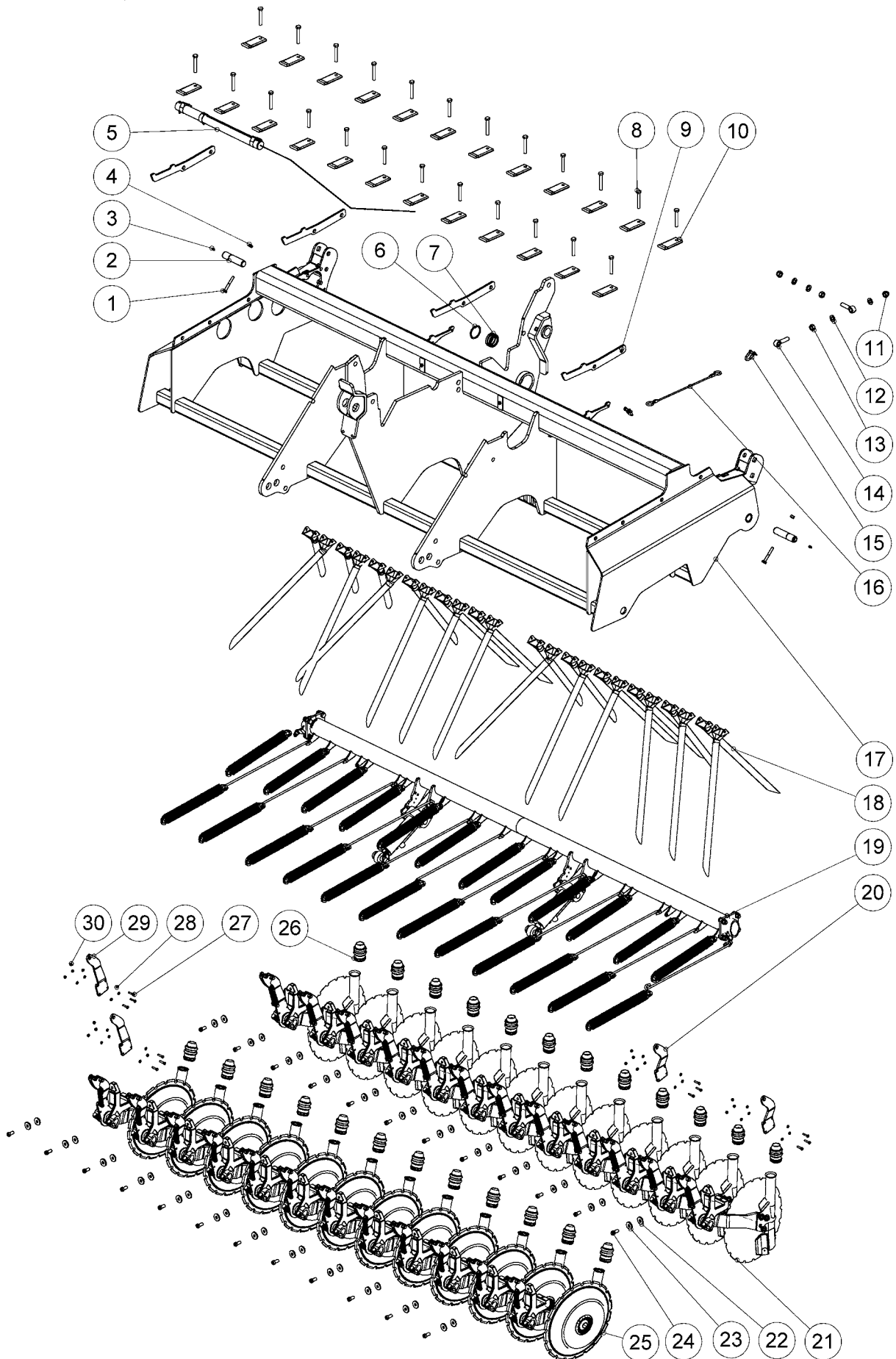
2.6 CENTRAL ADJUSTMENT OF THE COULTER PRESSURE S, HYDRAULIC



| OSA PART | KOODI CODE | NIMITYS | DESCRIPTION | S300 | S400 |
|-------------|---------------|---------------------------------|-----------------------|------|------|
| 1 | 33064 | VETOVAIJERI | DRAW-WIRE ROPE | 1 | 1 |
| 2 | 33338 | NYLONHOLKKI | BUSHING NYLON | 1 | 1 |
| 3 | 33058 | PUTKI | BAR | 1 | 1 |
| 4 | 330600 | ASTEIKKOTARRA | SCALE STICKER | 1 | 1 |
| 5 | 33059 | OSOITIN HOLKKI | INDICATOR BUSHING | 1 | 1 |
| 6 | 33063 | VETOJOUSI 150*1,5 | TENSION SPRING | 1 | 1 |
| 7 | AG6113014 | 6-MUTTERI II M 6 DIN985-8 ZN | NUT | 2 | 2 |
| 8 | A03558 | 6-RUUVI M6X55 8.8 DIN 933 ZN | SCREW | 2 | 2 |
| 9 | 134984P | LETKUKIRISTIN PA-RI 1-45 | TIGHTENER | 2 | 2 |
| 10 | AG6111014 | 6-MUTTERI M 6 DIN934-8 ZN | NUT | 2 | 2 |
| 11 | 33019 | VETOJOUSI 4.5*200 | TENSION SPRING | 24 | 32 |
| 12 | 33018 | TANKO ETUVANTAALLE S300/400 | BAR FOR FRONT COULTER | 12 | 16 |
| 13 | 33349 | AKSELIN KIINNITIN | SHAFT HOLDER | 4 | 4 |
| 14 | B580H1624 | ALUSLAATTA M 8 DIN125A ZN | WASHER | 12 | 12 |
| 15 | A08151514 | 6-RUUVI M8X35 8.8 DIN 933 ZN | SCREW | 4 | 4 |
| 16 | A060C1024 | 6-RUUVI M6X12 8.8 DIN 933 ZN | SCREW | 2 | 2 |
| 17 | B560E1524 | ALUSLAATTA M 6 DIN125A ZN | WASHER | 3 | 3 |
| 18 | 33447 | VAIJERIN PIDIN | WIRE HOLDER | 1 | 1 |
| 19 | 33366 | KESKUSSÄÄDÖNSYLINTERI S | CYLINDER | 2 | 2 |
| 20 | AG8113014 | 6-MUTTERI II M 8 DIN985-8 ZN | NUT | 6 | 6 |
| 21 | A05960 | 6-RUUVI M8X60 8.8 DIN 931 ZN | SCREW | 2 | 2 |
| 22 | B5G102524 | ALUSLAATTA M16 DIN125A ZN | WASHER | 2 | 2 |
| 23 | B860T0004 | JOUSISOKKA 6X26 DIN1481 ZNC | TUBULAR PIN | 2 | 2 |
| 24 | 31521 | KESKUSSÄÄDÖN PUTKI HITS S300 | BAR | 2 | |
| | 33171 | KESKUSSÄÄDÖN PUTKI HITS. | BAR | | 2 |
| 25 | 133300P | USIT-TIIVISTE 217-06 3/8 | SEAL | 8 | 8 |
| 26 | 133472P | BANJO BSPP 3/8/3/8 | BANJO CONNECTOR | 4 | 4 |
| 27 | 133056P | BANJORUUVI R 3/8 181-06 | BANJO SCREW | 4 | 4 |
| 28 | 32801 | LET 1/4 1500R3/8SR1/4S | HOSE | 4 | 4 |
| 29 | 134705P | T-NIPPA 702-04 1/4 | T-NIPPLE | 2 | 2 |
| 30 | D7074 | JATKONIPPA 707-04 | EXTENSION NIPPLE | 2 | 2 |
| 31 | D15312 | HYD. LETKU SYLINT.L4600 3-15312 | HOSE | 2 | 2 |

2.7 RUNKO M, LANNOITE ERI RIVIIN/SEED

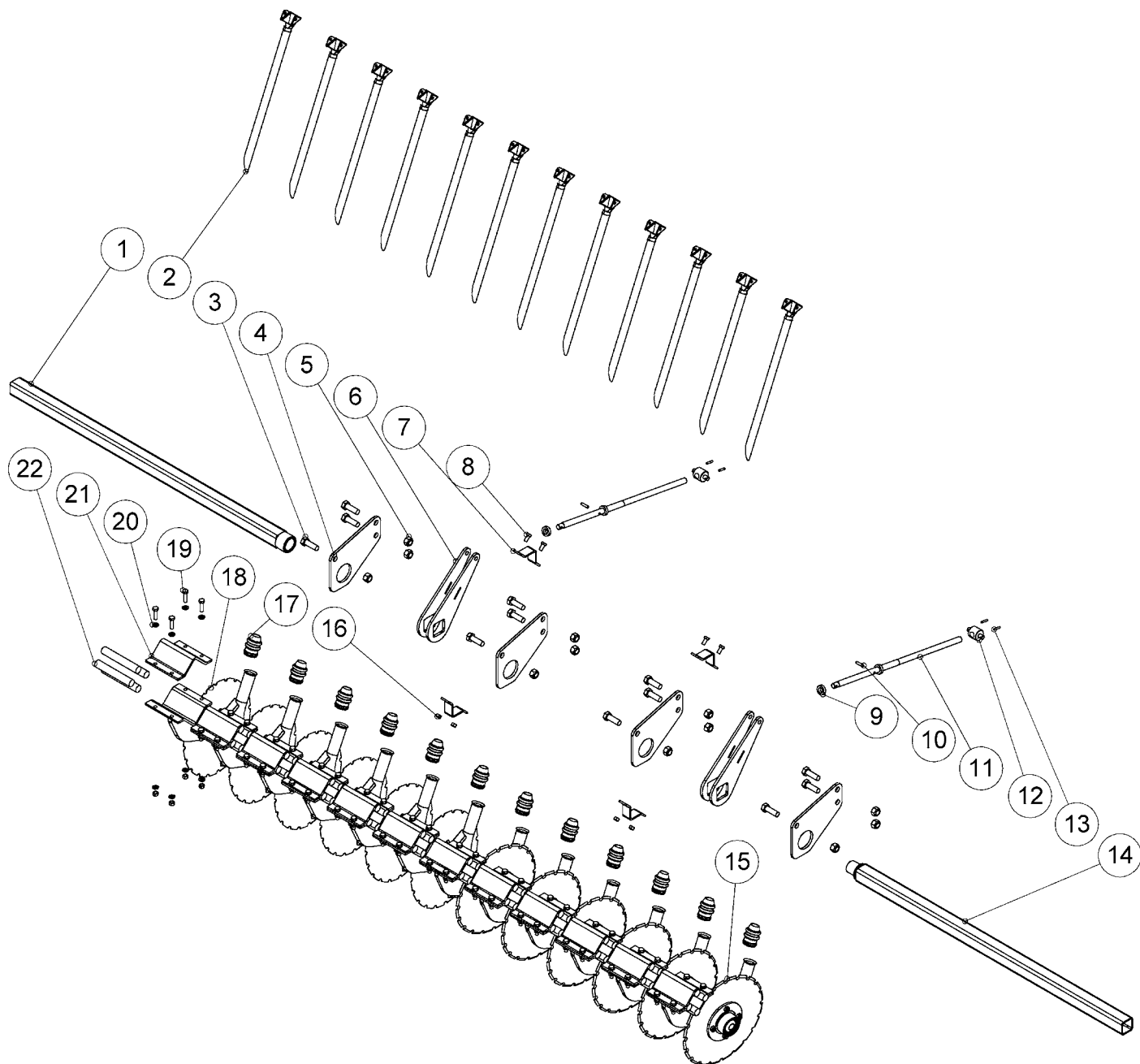
2.7 FRAME M, FERT INTO A SEPARATE ROW/SEED



| OSA PART | KOODI CODE | NIMITYS | DESCRIPTION | M300 | M400 |
|----------|------------|--------------------------------|------------------------------|------|------|
| 1 | A0A2F1514 | 6-RUUVI M10X75 8.8 DIN931 ZN | SCREW | 2 | 2 |
| 2 | 17289 | TAPPI RUNGON PÄÄTYYN | PIVOT | 2 | 2 |
| 3 | BJ6500000 | RASVANIPPA M 8*1.25 N:O 507 | GREASE NIPPLE | 2 | 2 |
| 4 | AGA113014 | 6-MUTTERI II M10 DIN985-8 ZN | NUT | 2 | 2 |
| 5 | 33060 | KESKUSSÄÄDÖN OSOITIN | CENTRAL ADJUSTMENT INDICATOR | 1 | 1 |
| 6 | BH2220021 | SEGER-RENG REI 62X2 472 | CIRCLIP | 1 | 1 |
| 7 | CEGE40 | NIVELLAAKERI INA GE 40 DO | BEARING | 1 | 1 |
| 8 | A0C2L1514 | 6-RUUVI M12X80 8.8 DIN931 ZN | SCREW | 24 | 32 |
| 9 | 31965 | KIERTOKOEKAUKALON PIDIN | CALIBRATION TRAY HOLDER | 4 | 4 |
| 10 | 17576 | KIINNITIN | HOLDER | 24 | 32 |
| 11 | AGG113014 | 6-MUTTERI II M16 DIN985-8 ZN | NUT | 2 | 2 |
| 12 | B5G102524 | ALUSLAATTA M16 DIN125A ZN | WASHER | 4 | 4 |
| 13 | A51700 | 6-MUTTERI M16 DIN934-8 ZNK | NUT | 2 | 2 |
| 14 | A0G3A1014 | SILMÄRUUVI DIN444 16x70 | SCREW | 2 | 2 |
| 15 | BC3000002 | RUUVISAKKELI M8 ZN | SHACKLE | 2 | 2 |
| 16 | 33288 | VAIJERI 6mm L=470mm | WIRE ROPE | 1 | 1 |
| 17 | 31616 | RUNKO HITS. M300 | FRAME | 1 | |
| | 31980 | M400 RUNKO HITS. | FRAME | | 1 |
| 18 | 20879 | SUPPILO VINO+PUTKI LYH LP | FEEDER TUBE | 3 | 3 |
| | 20877 | SUPPILO SUORA+PUTKI LYH LP | FEEDER TUBE | 6 | 9 |
| | 33576 | SUPPILO VINO VAS+PUTKI 480 | FEEDER TUBE | 5 | 5 |
| | 20605 | SIEMENSYÖTTÖPUTKI KP | FEEDER TUBE | 4 | 7 |
| | 20607 | SIEMENSYÖTTÖPUTKI KP | FEEDER TUBE | 3 | 4 |
| | 33534 | SUPPILO SUORA+PUTKI LYH LP | FEEDER TUBE | 3 | 4 |
| 19 | 31930 | M300 KESKUSSÄÄTÖ | CENTRAL ADJUSTMENT | 1 | |
| | 31982 | M400 KESKUSSÄÄTÖ | CENTRAL ADJUSTMENT | | 1 |
| 20 | 319431 | ETUVANTAAN JOUSEN LISÄKIINNITI | SPRING HOLDER | 2 | 2 |
| 21 | 32652 | TAKAVANNAS KP 1-PUTKINEN | REAR COULTER | 12 | 16 |
| 22 | 22231 | RIKKA 13/35-5 DIN6340 | WASHER | 24 | 32 |
| 23 | 210724000 | ALUSLEVY 4*35/12.2 | WASHER | 24 | 32 |
| 24 | A02807 | 6-RUUVI. M6X30 8.8 DIN 933 ZN | SCREW | 12 | 12 |
| 25 | 32667 | ETUVANNAS KP 1-PUTKINEN | FRONT COULTER | 12 | 16 |
| 26 | 32485 | MULTASUOJA KELTAINEN | DUST SHIELD | 24 | 32 |
| 27 | A0C0S4524 | 6-KOLOR.M12X25 8.8 DIN912 ZN | SCREW | 24 | 32 |
| 28 | B560E1524 | ALUSLAATTA M 6 DIN125A ZN | WASHER | 24 | 24 |
| 29 | 319401 | TAKAVANTAAN JOUSEN LISÄKIINNIT | SPRING HOLDER | 2 | 2 |
| 30 | AG6113014 | 6-MUTTERI II M 6 DIN985-8 ZN | NUT | 12 | 12 |
| | 31201 | LANNOITEVANTAISTO M 300 | FERTILIZER COULTER ASSEMBLY | | |

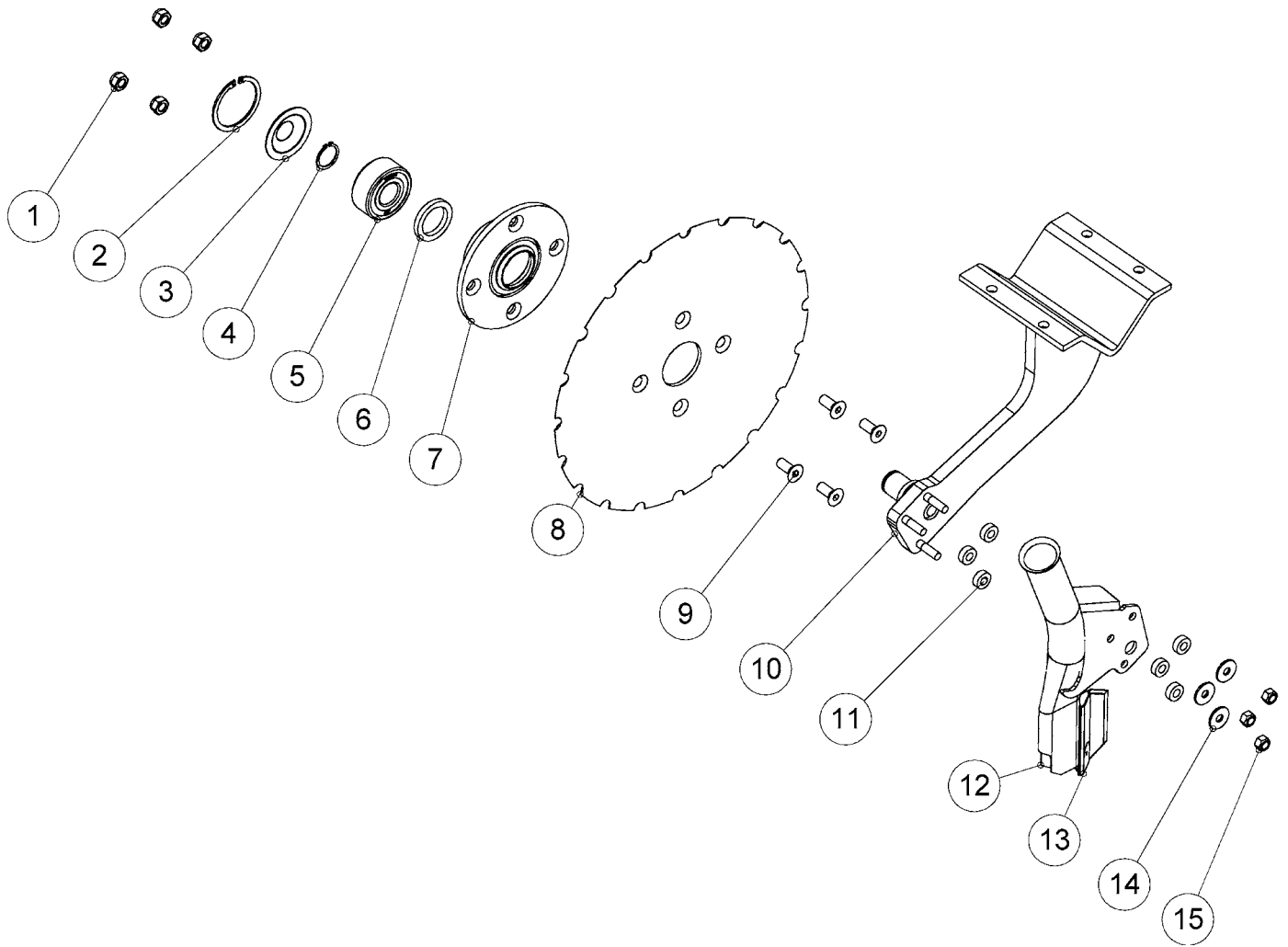
2.7.1 LANNOITEVANTAISTO M

2.7.1 FERTILIZER COULTER



| OSA PART | KOODI CODE | NIMITYS | DESCRIPTION | M300 | M400 |
|----------|------------|--------------------------------|----------------------------|------|------|
| 1 | 31211 | AKSELI VANTAILLE HOLKILLA | SHAFT | 1 | |
| | 33196 | AKSELI VANTAILLE HOLKILLA | SHAFT | | 1 |
| 2 | 22685 | SYÖTTÖPUTKI I=540 + SUPPILO | FEEDER TUBE | 12 | 16 |
| 3 | A0L201524 | 6-RUUVI M20X60 8.8 DIN933 ZN | SCREW | 12 | 12 |
| 4 | 17646 | PALKIN KIINNIKE | HOLDER | 4 | 4 |
| 5 | AGL113014 | 6-MUTTERI II M20 DIN985-8 ZN | NUT | 12 | 12 |
| 6 | 22784 | KORVA LANNOITEAKSELILLE | FERT SHAFT HOLDER | 4 | 4 |
| 7 | 17739 | APULANTAVANTAIDEN PAIKOITIN | COULTER HOLDER | 4 | 4 |
| 8 | A0C0S1512 | 6-RUUVI M12X25 8.8 DIN933 ZN | SCREW | 4 | 4 |
| 9 | 18354 | KAULUS SÄÄTÖRUUVIIN KELTAPASS. | COLLAR | 2 | 2 |
| 10 | B88160001 | JOUSISOKKA 8X36 DIN1481 ZNC | TUBULAR PIN | 2 | 2 |
| 11 | 33606 | SÄÄTÖTANKO HITS. | ADJUSTMENT BAR | 2 | 2 |
| 12 | 17728 | SÄÄTÖSARANA | ADJUSTMENT PIVOT | 2 | 2 |
| 13 | B86120001 | JOUSISOKKA 6X32 DIN1481 ZNC | TUBULAR PIN | 4 | 4 |
| 14 | 31209 | LANNOITEVANT AKSELI TAPILLA | SHAFT | 1 | |
| | 33197 | LANNOITEVANT AKSELI TAPILLA | SHAFT | | 1 |
| 15 | 33218 | M LANN.VANNAS OIK. KP KUMI | FERT COULTER RUBBER, RIGHT | 6 | 8 |
| 16 | AGC113014 | 6-MUTTERI II M12 DIN985-8 ZN | NUT | 52 | 68 |
| 17 | 32485 | MULTASUOJA KELTAINEN | DUST SHIELD | 12 | 16 |
| 18 | 33208 | M LANN.VANNAS VAS. KP KUMI | FERT COULTER RUBBER, LEFT | 6 | 8 |
| 19 | A0C1F1024 | 6-RUUVI M12X45 8.8 DIN933 ZN | SCREW | 52 | 64 |
| 20 | B5C0R2024 | ALUSLAATTA M12 DIN125A ZN | WASHER | 96 | 128 |
| 21 | 22197 | KIINNITIN MAALATTU | HOLDER | 12 | 16 |
| 22 | 22307 | KUMIPATUKKA | RUBBER STICK | 48 | 64 |

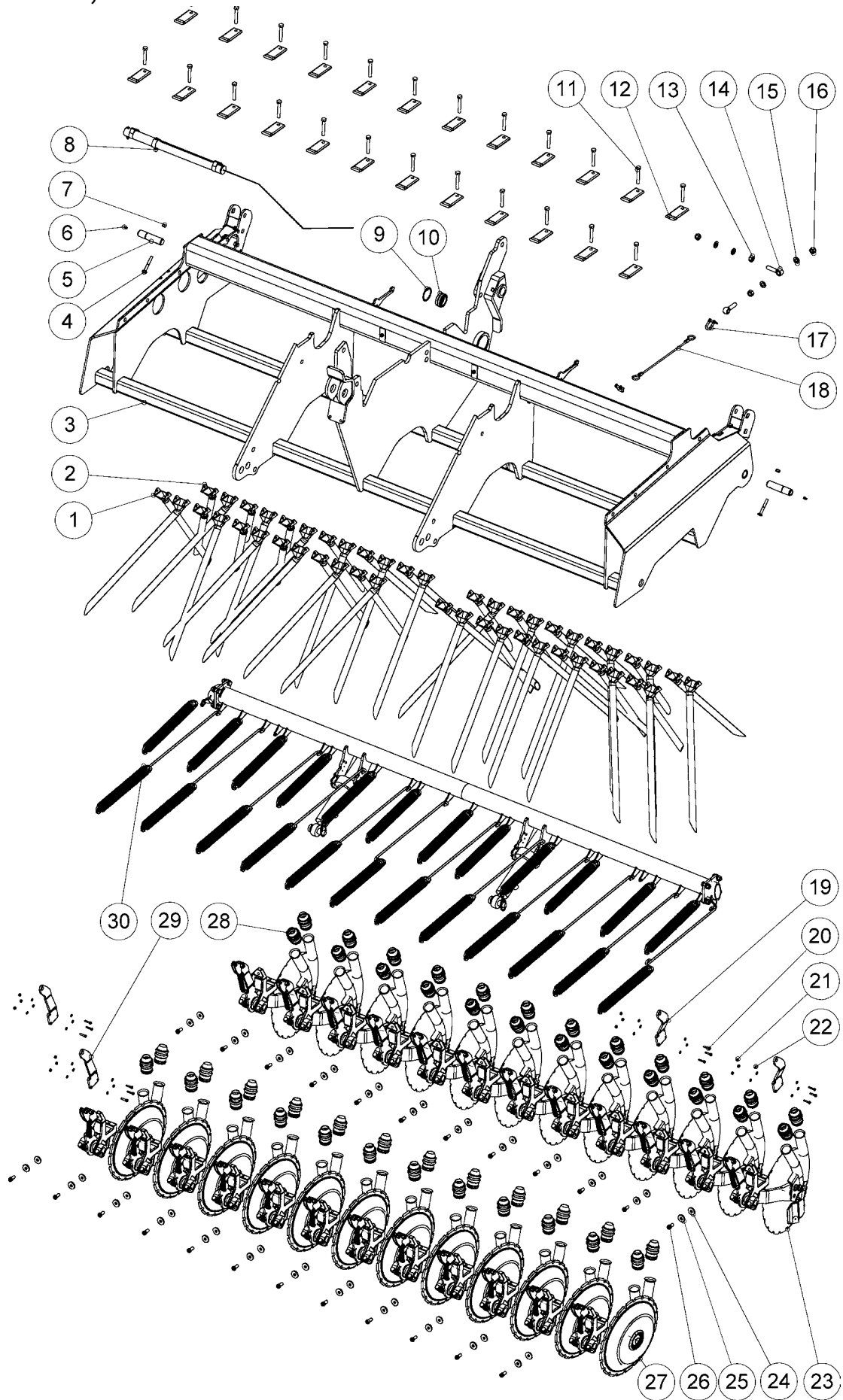
2.7.2 LANNOITEVANNAS M
2.7.2 FERTILIZER COULTER M



| OSA PART | KOODI CODE | NIMITYS | DESCRIPTION | OIK./ RIGHT | VAS./ LEFT |
|-------------|---------------|--------------------------------|----------------------------|----------------|---------------|
| 1 | AGC113014 | 6-MUTTERI II M12 DIN985-8 ZN | NUT | 4 | 4 |
| 2 | BH2C21L14 | SEGER-RENG REI 72X2.5 472 | CIRCLIP | 1 | 1 |
| 3 | 21095 | SUOJALEVY | COVER PLATE | 1 | 1 |
| 4 | BH1011L11 | SEGERRENG AKS 30X1.5 471 | CIRCLIP | 1 | 1 |
| 5 | CE33062RSSKF | 2-RIV. VIISTOKUULALAAK. 33062R | BEARING | 1 | 1 |
| 6 | CNA40557 | DIN_3760-A40x55x7 STEFA | SHAFT SEAL | 1 | 1 |
| 7 | 21096 | NAPA HITS. JA KONEIST. | HUB | 1 | 1 |
| 8 | 17249 | HAMMASTETTU VANNASKIEKKO | COULTER DISC | 1 | 1 |
| 9 | A0C0T4524 | 6-KOLOR.UPP.M12X30 10.9 DIN799 | SCREW | 4 | 4 |
| 10 | 33217 | LANN. VARS. OIK. HITS. KUMI | COULTER ARM, RIGHT | 1 | |
| | 33207 | LANN. VARS. VAS. HITS. KUMI | COULTER ARM, LEFT | | 1 |
| 11 | 31389 | KUMIPRIKKA | WASHER | 6 | 6 |
| 12 | 33213 | PUTKI HITS. OIK. LANN.VANNAS | COULTER TUBE, RIGHT | 1 | |
| | 33201 | PUTKI HITS. VAS. LANN.VANNAS | COULTER TUBE, LEFT | | 1 |
| 13 | 31388 | KARBIDIPALA | CARBIDE PIECE | 1 | 1 |
| 14 | B5A0V1524 | KORILAATTA M10 DIN9021B ZN | WASHER | 3 | 3 |
| 15 | AGA113014 | 6-MUTTERI II M10 DIN985-8 ZN | NUT | 3 | 3 |
| | 33218 | LANN. VANNAS M KUMIP. OIK. KP | FERT COULTER, RUBBER RIGHT | | |
| | 33208 | LANN. VANNAS M KUMIP. VAS. KP | FERT COULTER, RUBBER LEFT | | |

2.8 RUNKO M, COMBI

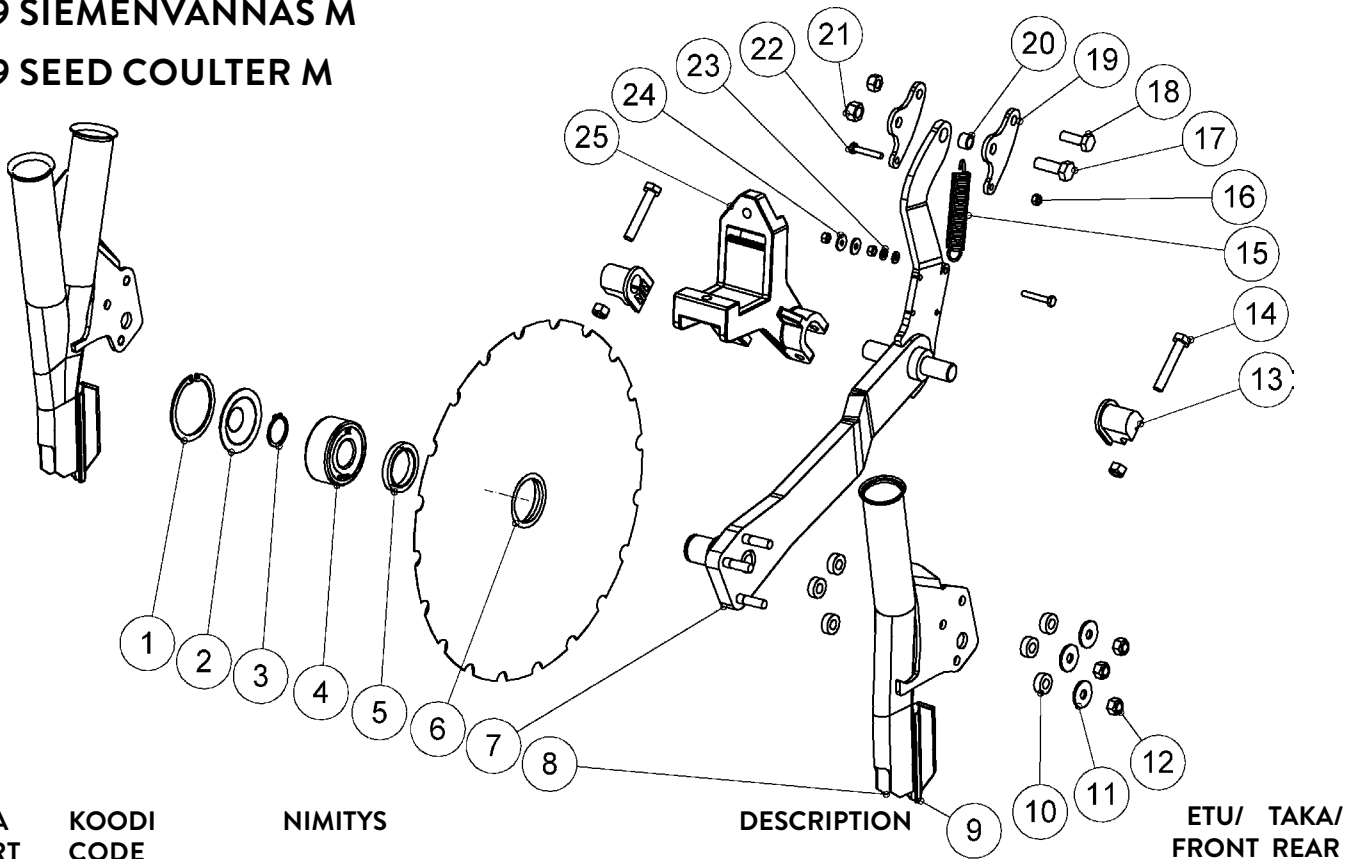
2.8 FRAME M, COMBI



| OSA PART | KOODI CODE | NIMITYS | DESCRIPTION | M300 | M400 |
|-------------|---------------|--------------------------------|-----------------------------------|------|------|
| 1 | 20878 | SUPPILO SUORA+PUTKI PIT LP | FEEDER TUBE | 6 | 8 |
| | 20877 | SUPPILO SUORA+PUTKI LYH LP | FEEDER TUBE | 5 | 7 |
| | 33150 | LANN.SYÖTTÖPUTKI VINO L=750 | FEEDER TUBE | 4 | 2 |
| | 33534 | SUPPILO VINO VAS+PUTKI 650 | FEEDER TUBE | 5 | 6 |
| | 20879 | SUPPILO VINO+PUTKI LYH LP | FEEDER TUBE | 1 | 3 |
| | 33482 | LANN.SYÖTTÖPUTKI VINO L=750 VA | FEEDER TUBE | 3 | 6 |
| 2 | 20607 | SIEMENSYÖTTÖPUTKI KP | FEEDER TUBE | 3 | 4 |
| | 20879 | SUPPILO VINO+PUTKI LYH LP | FEEDER TUBE | 3 | 3 |
| | 20605 | SIEMENSYÖTTÖPUTKI KP | FEEDER TUBE | 4 | 7 |
| | 20877 | SUPPILO SUORA+PUTKI LYH LP | FEEDER TUBE | 6 | 9 |
| | 33534 | SUPPILO VINO VAS+PUTKI 650 | FEEDER TUBE | 3 | 4 |
| | 33576 | SUPPILO VINO VAS+PUTKI 480 | FEEDER TUBE | 5 | 5 |
| 3 | 31616 | RUNKO HITS. M300 | FRAME | 1 | |
| | 31980 | M400 RUNKO HITS. | FRAME | | 1 |
| 4 | A0A2F1514 | 6-RUUVI M10X75 8.8 DIN931 ZN | SCREW | 2 | 2 |
| 5 | 17289 | TAPPI RUNKON PÄÄTYYN | PIVOT | 2 | 2 |
| 6 | BJ6500000 | RASVANIPPA M 8*1.25 N:O 507 | GREASE NIPPLE | 2 | 2 |
| 7 | AGA113014 | 6-MUTTERI II M10 DIN985-8 ZN | NUT | 2 | 2 |
| 8 | 33060 | KESKUSSÄÄDÖN OSOITIN | CENTRAL ADJUSTMENT INDICA- TOR | 1 | 1 |
| 9 | BH2220021 | SEGER-RENG REI 62X2 472 | CIRCLIP | 1 | 1 |
| 10 | CEGE40 | NIVELLAAKERI INA GE 40 DO | BEARING | 1 | 1 |
| 11 | A0C2L1514 | 6-RUUVI M12X80 8.8 DIN931 ZN | SCREW | 24 | 32 |
| 12 | 17576 | KIINNITIN | HOLDER | 24 | 32 |
| 13 | A51700 | 6-MUTTERI M16 DIN934-8 ZNK | NUT | 2 | 2 |
| 14 | A0G3A1014 | SILMÄRUUVI DIN444 16x70 | SCREW | 2 | 2 |
| 15 | B5G102524 | ALUSLAATTA M16 DIN125A ZN | WASHER | 4 | 4 |
| 16 | AGG113014 | 6-MUTTERI II M16 DIN985-8 ZN | NUT | 2 | 2 |
| 17 | BC3000002 | RUUVISAKKELI M8 ZN | SHACKLE | 2 | 2 |
| 18 | 33288 | VAIJERI 6mm L=470mm | WIRE ROPE | 1 | 1 |
| 19 | 319431 | ETUVANTAAN JOUSEN LISÄKIINNITI | SPRING HOLDER | 2 | 2 |
| 20 | A02807 | 6-RUUVI. M6X30 8.8 DIN 933 ZN | SCREW | 12 | 12 |
| 21 | AG6113014 | 6-MUTTERI II M 6 DIN985-8 ZN | NUT | 12 | 12 |
| 22 | B560E1524 | ALUSLAATTA M 6 DIN125A ZN | WASHER | 24 | 24 |
| 23 | 32521 | 2-PUTKINEN TAKAVANNAS M KP | REAR COULTER, 2 -TUBES | 12 | 16 |
| 24 | 22231 | RIKKA 13/35-5 DIN6340 | WASHER | 24 | 32 |
| 25 | 210724000 | ALUSLEVY 4*35/12.2 | WASHER | 24 | 32 |
| 26 | A0C0S4524 | 6-KOLOR.M12X25 8.8 DIN912 ZN | SCREW | 24 | 32 |
| 27 | 32658 | 2-PUTKINEN ETUVANNAS M KP | FRONT COULTER, 2-TUBES | 12 | 16 |
| 28 | 32485 | MULTASUOJA KELTAINEN | DUST SHIELD | 48 | 64 |
| 29 | 319401 | TAKAVANTAAN JOUSEN LISÄKIINNIT | SPRING HOLDER | 2 | 2 |
| 30 | 31930 | M300 KESKUSSÄÄTÖ | CENTRAL ADJUSTMENT | 1 | |

2.9 SIEMENVANNAS M

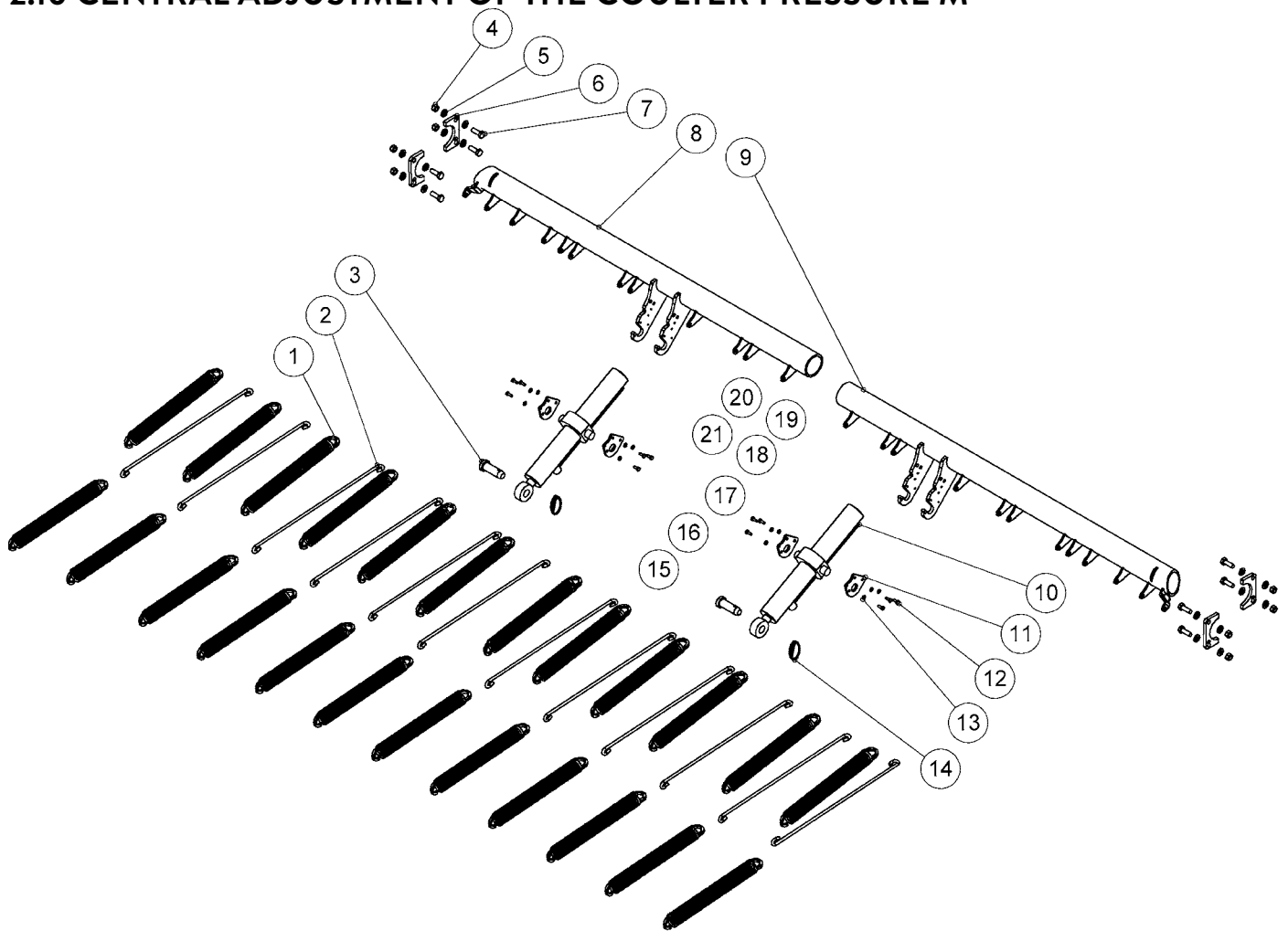
2.9 SEED COULTER M



| OSA PART | KOODI CODE | NIMITYS | DESCRIPTION | ETU/ FRONT | TAKA/ REAR |
|----------|--------------|---------------------------------|----------------------------|------------|------------|
| 1 | BH2C21L14 | SEGER-RENG REI 72X2.5 472 | CIRCLIP | 1 | 1 |
| 2 | 21095 | SUOJALEVY | COVER PLATE | 1 | 1 |
| 3 | BH1011L11 | SEGER-RENG AKS 30X1.5 471 | CIRCLIP | 1 | 1 |
| 4 | CE33062RSSKF | 2-RIV. VIISTOKUULALAAK. 33062R | BEARING | 1 | 1 |
| 5 | CNA40557 | DIN_3760-A40x55x7 STEFA | SHAFT SEAL | 1 | 1 |
| 6 | 21182 | VANNAS HITS. JA KONEIST. | COULTER DISC | 1 | 1 |
| 7 | 32661 | VARSII HITS | COULTER ARM | 1 | |
| | 32522 | VARSII HITS. TAKA M | COULTER ARM | | 1 |
| 8 | 32664 | PUTKI HITS. 1-PUTKINEN | COULTER TUBE | 1 | |
| | 32549 | PUTKI HITS. 1-PUTKINEN | COULTER TUBE | | 1 |
| | 32657 | PUTKET HITS. ETU VANN. 2-PUT. | COULTER TUBE | 1 | |
| | 32524 | PUTKET HITS. TAKA M 2- PUT. | COULTER TUBE | | 1 |
| 9 | 31388 | KARBIDIPALA | CIRBIDE PIECE | 1 | 1 |
| 10 | 31389 | KUMIPRIKKA | WASHER | 6 | 6 |
| 11 | B5A0V1524 | KORILAATTA M10 DIN9021B ZN | WASHER | 3 | 3 |
| 12 | AGA113014 | 6-MUTTERI II M10 DIN985-8 ZN | NUT | 6 | 6 |
| 13 | 17162 | MUOVILAAKERI VANTAASEEN | PLASTIC BEARING | 2 | 2 |
| 14 | A0A201014 | 6-RUUVI M10X60 8.8 DIN931 ZN | SCREW | 2 | 2 |
| 15 | 32401 | VETOJOUSI 2.5*19.3*108 SINK920 | TENSION SPRING | 1 | 1 |
| 16 | AG6113014 | 6-MUTTETI II M 6 DIN985-8 ZN | NUT | 3 | 3 |
| 17 | A0C151514 | 6-RUUVI M12X35 8.8 DIN933 ZN | SCREW | 1 | 1 |
| 18 | A0A101524 | 6-RUUVI M10X30 8.8 DIN933 ZN | SCREW | 1 | 2 |
| 19 | 31941 | KEINU PIKKUJOUSELLE | SPRING SWING | 2 | 2 |
| 20 | 31942 | HOLKKI | BUSHING | 1 | 1 |
| 21 | AGC113014 | 6-MUTTERI II M12 DIN985-8 ZN | NUT | 1 | 1 |
| 22 | A06151514 | 6-RUUVI M6X35 8.8 DIN 933 ZN | SCREW | 2 | 2 |
| 23 | B560E1524 | ALUSLAATTA M 6 DIN125A ZN | WASHER | 2 | 2 |
| 24 | B560N1524 | KORILAATTA M 6 DIN9021 ZN | WASHER | 2 | 2 |
| 25 | 17118 | VANTAAN KIINNITIN | COULTER HOLDER | 1 | 1 |
| | 32667 | SIEMENVANN. M, ETU, 1- PUT. KP | SEED COULTER, FRONT 1-TUBE | | |
| | 32658 | SIEMENVANN. M, ETU, 2- PUT. KP | SEED COULTER, FRONT 2-TUBE | | |
| | 32652 | SIEMENVANN. M, TAKA, 1- PUT. KP | SEED COULTER, REAR 1-TUBE | | |
| | 32521 | SIEMENVANN. M, TAKA, 2- PUT. KP | SEED COULTER, REAR 2-TUBE | | |

2.10 VANNASPAINATUKSEN KESKUSSÄÄTÖ M

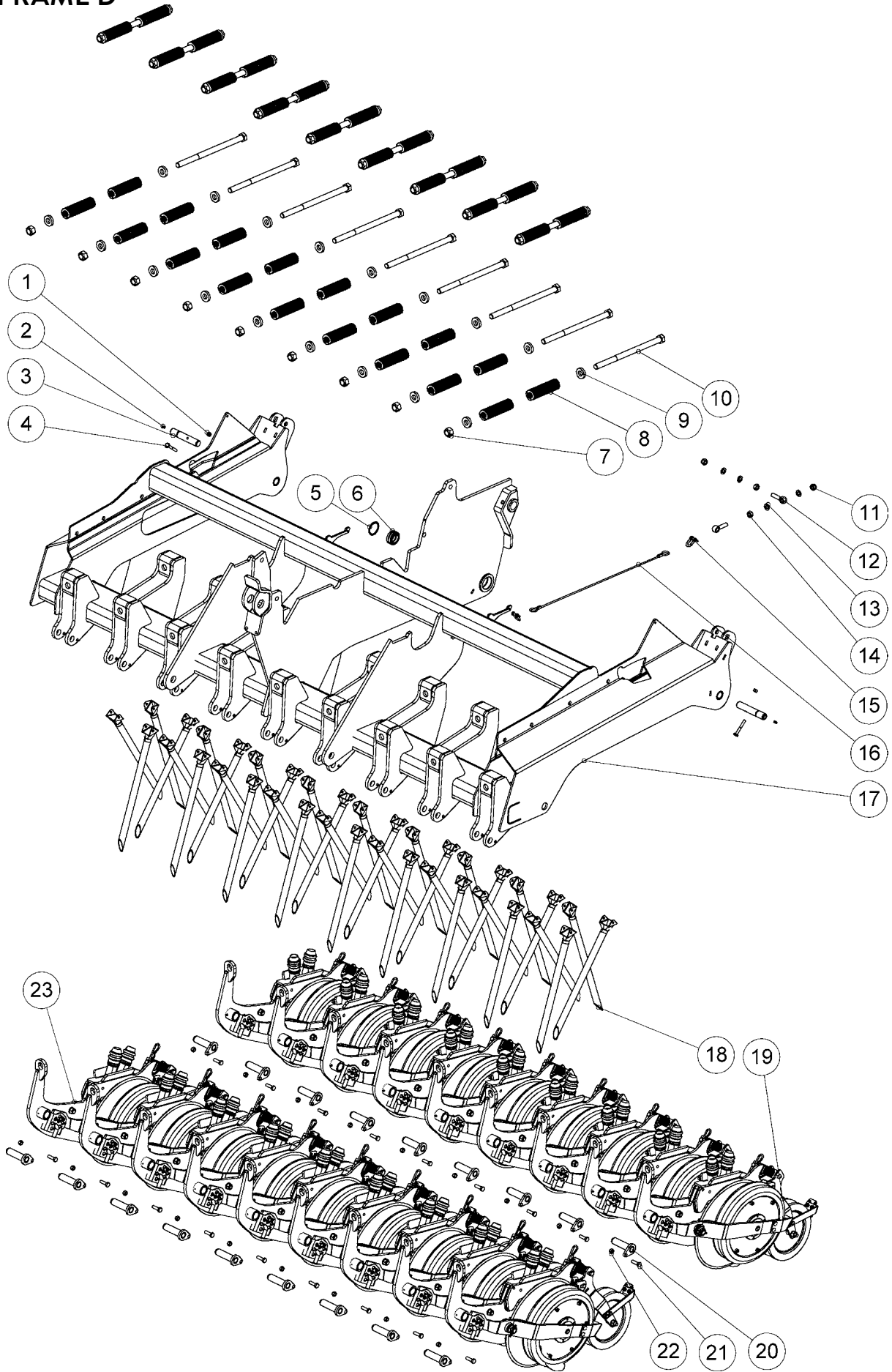
2.10 CENTRAL ADJUSTMENT OF THE COULTER PRESSURE M



| OSA PART | KOODI CODE | NIMITYS | DESCRIPTION | M300 | M400 |
|----------|------------|------------------------------------|-------------------------|------|------|
| 1 | 31931 | VETOJOUSI 7x45x400 | TENSION SPRING | 25 | 32 |
| 2 | 31898 | TANKO ETUVANTAALLE | BAR FOR FRONT COULTER | 12 | 16 |
| 3 | D14446 | SYLINTERIN TAPPI 14446 | PIVOT FOR CYLINDER | 2 | 2 |
| 4 | AGC113014 | 6-MUTTERI II M12 DIN985-8 ZN | NUT | 8 | 8 |
| 5 | B5C0R2024 | ALUSLAATTA M12 DIN125A ZN | WASHER | 16 | 16 |
| 6 | 31892 | PUTKENPAIKOITIN | HOLDER | 4 | 4 |
| 7 | A0C151514 | 6-RUUVI M12X35 8.8 DIN933 ZN | SCREW | 8 | 8 |
| 8 | 31896 | M300 KESKUSSÄÄDÖN PUTKI OIKEA | BAR | 1 | |
| | 31985 | HITS | BAR | | 1 |
| 9 | 31890 | M3 KESKUSSÄÄDÖN PUTKI VAS HITS. | BAR | 1 | |
| | 31983 | M4 KESKUSSÄÄDÖNPUTKI VAS HITS. | BAR | | 1 |
| 10 | 31554 | KESKUSSÄÄDÖN SYLINTERI | CYLINDER | 2 | 2 |
| 11 | 318931 | SYLINTERIN LUKITUSPALA | LOCK PIECE FOR CYLINDER | 4 | 4 |
| 12 | A060G1024 | 6-RUUVI M6X16 8.8 DIN 933 ZN | SCREW | 12 | 12 |
| 13 | B560E1524 | ALUSLAATTA M 6 DIN125A ZN | WASHER | 12 | 12 |
| 14 | BE6000002 | RENGAS-SOKKA 6X40 L=40 ZN | LINCHPIN | 2 | 2 |
| 15 | 133300P | USIT-TIIVISTE 217-06 3/8 | SAEL | 8 | 8 |
| 16 | 133472P | BANJO BSPP 3/8/3/8 | BANJO CONNECTOR | 4 | 4 |
| 17 | 133056P | BANJORUUVI R 3/8 181-06 | BANJO SCREW | 4 | 4 |
| 18 | 32801 | LET 1/4 1500R3/8SR1/4S | HOSE | 4 | 4 |
| 19 | 134705P | T-NIPPA 702-04 1/4 | T-NIPPLE | 2 | 2 |

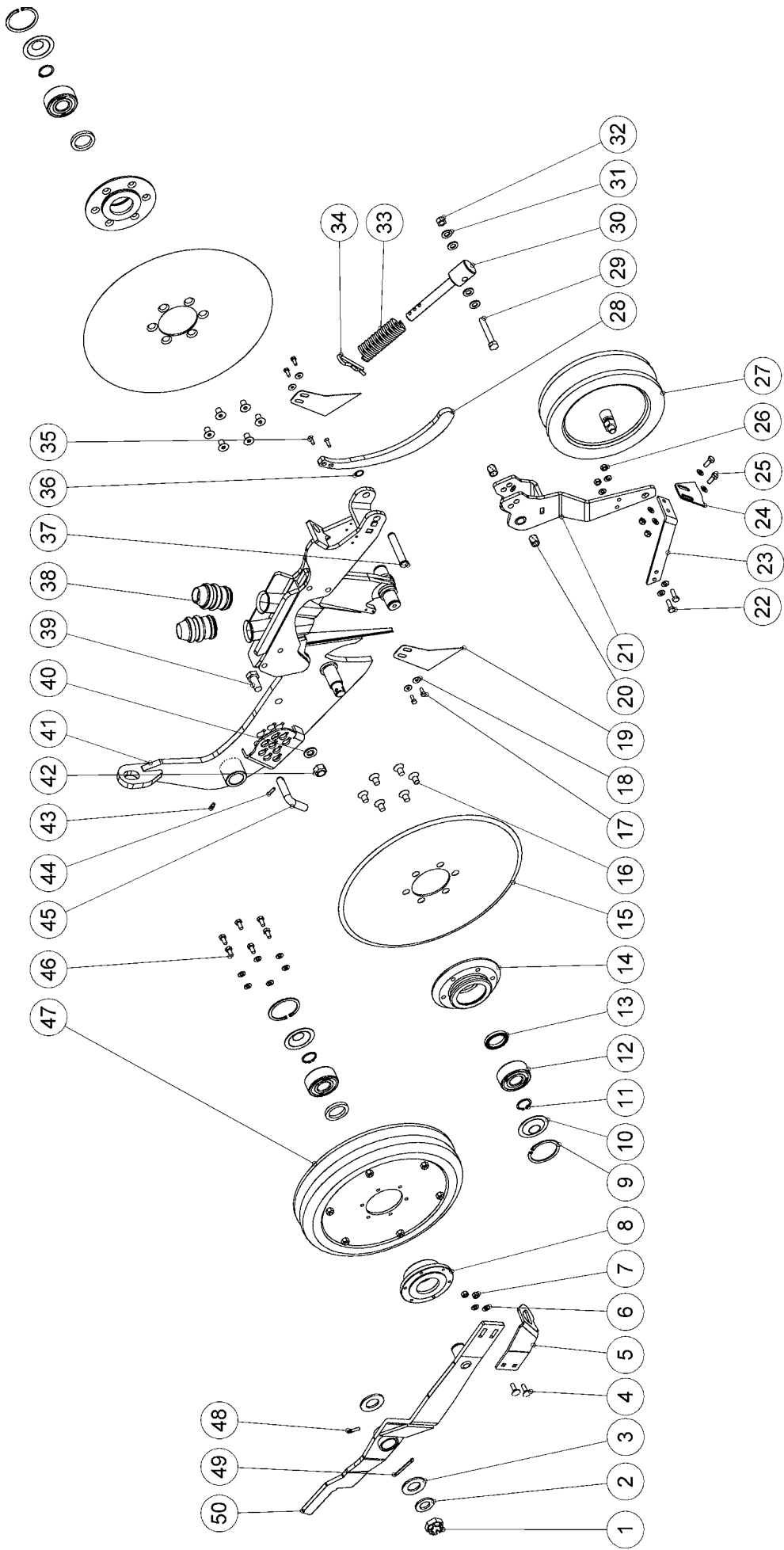
2.11 RUNKO D

2.11 FRAME D



| OSA PART | KOODI CODE | NIMITYS | DESCRIPTION | D300 | D400 |
|----------|------------|------------------------------|----------------|------|------|
| 1 | AGA113014 | 6-MUTTERI II M10 DIN985-8 ZN | NUT | 2 | 2 |
| 2 | BJ6500000 | RASVANIPPA M 8*1.25 N:O 507 | GREASE NIPPLE | 2 | 2 |
| 3 | 22256 | TAPPI RUNGON PÄÄTYYN | PIVOT | 2 | 2 |
| 4 | A0A2F1514 | 6-RUUVI M10X75 8.8 DIN931 ZN | SCREW | 2 | 2 |
| 5 | BH2220021 | SEGER RENG REI 62X2 472 | CIRCLIP | 1 | 1 |
| 6 | CEGE40 | NIVELLAAKERI INA GE 40 DO | BEARING | 1 | 1 |
| 7 | AGR113014 | 6-MUTTERI II M24 DIN985 ZN | NUT | 18 | 24 |
| 8 | 31734 | TYÖKALUJOUSI 25*50*178 | SPRING | 36 | 47 |
| 9 | B5R1F4025 | ALUSLEVY M24 DIN_7349-25 | WASHER | 36 | 48 |
| 10 | 31757 | M24X420 DIN 931 | SCREW | 18 | 24 |
| 11 | AGG113014 | 6-MUTTERI II M16 DIN985-8 ZN | NUT | 2 | 2 |
| 12 | A0G3A1014 | SILMÄRUUVI DIN444 16x70 | SCREW | 2 | 2 |
| 13 | B5G102524 | ALUSLAATTA M16 DIN125A ZN | WASHER | 4 | 4 |
| 14 | A51700 | 6-MUTTERI M16 DIN934-8 ZNK | NUT | 2 | 2 |
| 15 | BC3000002 | RUUVISAKKELI M8 ZN | SHACKLE | 2 | 2 |
| 16 | 33287 | VAIJERI 6mm L=900mm | WIRE ROPE | 1 | 1 |
| 17 | 33040 | RUNKO D300 HITSATTU | FRAME | 1 | |
| | 33166 | RUNKO D400 HITS. | FRAME | | 1 |
| 18 | 20604 | SIEMENSYÖTTÖPUTKI KP | FEEDER TUBE | 36 | 48 |
| 19 | 31750 | TAKAVANNAS KOOTTU DIRECT | REAR COULTER | 9 | 12 |
| 20 | 22169 | VANTAAN KIIN.TAPPI HITS | COULTER HOLDER | 18 | 24 |
| 21 | A0C1A1014 | 6-RUUVI M12X40 8.8 DIN933 ZN | SCREW | 18 | 24 |
| 22 | AGC113014 | 6-MUTTERI II M12 DIN985-8 ZN | NUT | 18 | 24 |
| 23 | 31740 | ETUVANNAS KOOTTU DIRECT | FRONT COULTER | 9 | 12 |

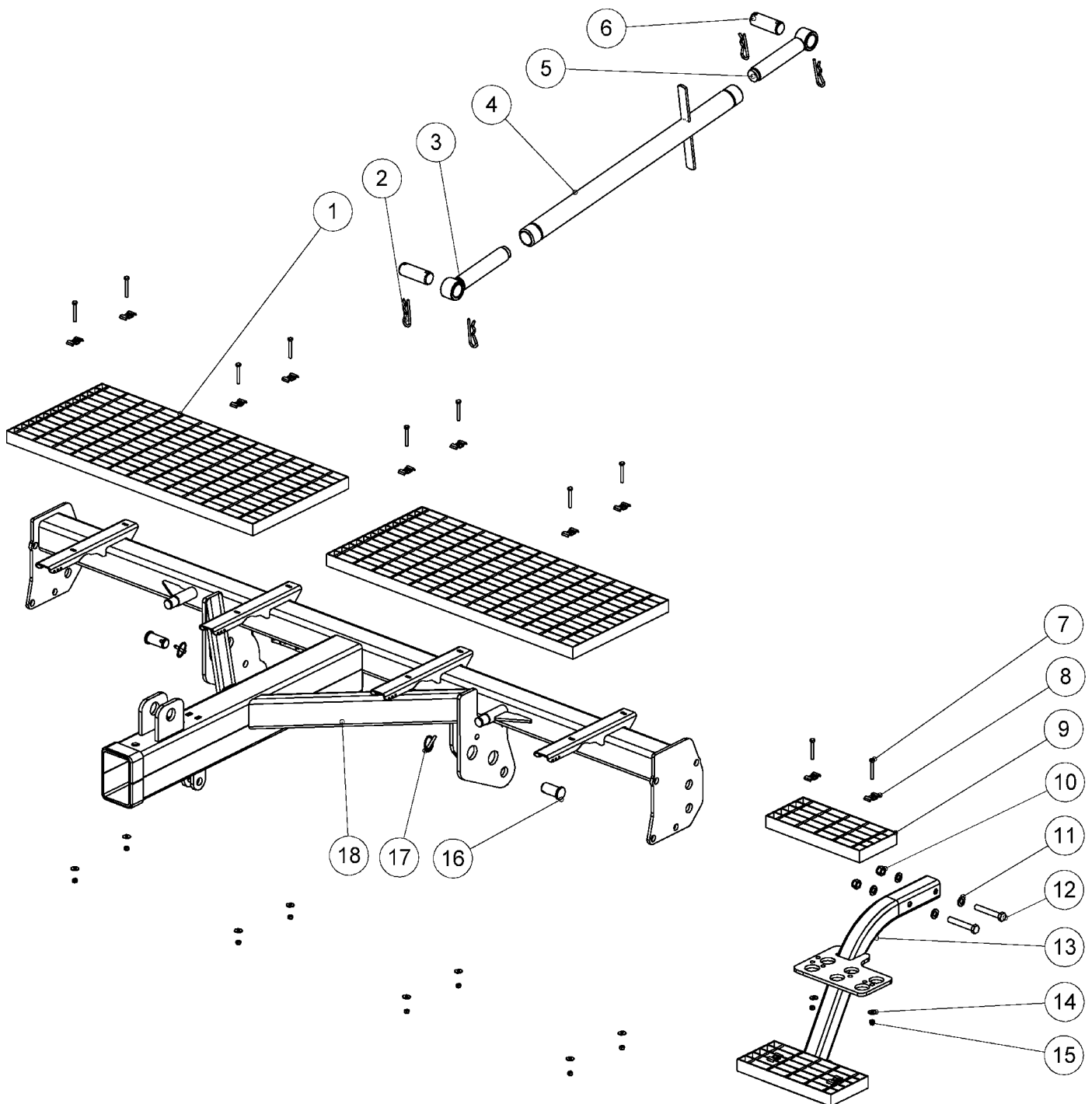
2.11.1 VANNAS D
2.11.1 COULTER D



| OSA PART | KOODI CODE | NIMITYS | DESCRIPTION | ETU/ TAKA/ FRONT REAR | |
|-------------|---------------|-----------------------------------|--------------------------|--------------------------|----|
| | | | | | |
| 1 | 31827 | KRUUNUMUTTERI M24 * 2 MATALA | CROWN NUT | 1 | 1 |
| 2 | B5R1F4024 | ALUSLAATTA M24 DIN125A ZN | WASHER | 1 | 1 |
| 3 | JD0430 | ALUSLAATTA M30 DIN125A ZN | WASHER | 2 | 2 |
| 4 | A080S3014 | LUKKOR. M8X25 4.6 DIN 603 ZN | SCREW | 2 | 2 |
| 5 | 32672 | RAAPIJA | SCRAPER | 1 | 1 |
| 6 | B580H1624 | ALUSLAATTA M 8 DIN125A ZN | WASHER | 16 | 16 |
| 7 | AG8111014 | 6-MUTTERI M 8 DIN934-8 ZN | NUT | 2 | 2 |
| 8 | 22422 | LAAKERIHOLKKI KANNATINPYÖRÄÄN | BUSHING | 1 | 1 |
| 9 | BH2C21L14 | SEGER-RENG REI 72X2.5 472 | CIRCLIP | 3 | 3 |
| 10 | 21095 | SUOJALEVY | COVER PLATE | 3 | 3 |
| 11 | BH1011L11 | SEGER-RENG AKS 30X1.5 471 | CIRCLIP | 3 | 3 |
| 12 | CE33062RSSKF | 2-RIV. VIISTOKUULALAAK. 33062R | BEARING | 3 | 3 |
| 13 | CNA40557 | DIN_3760-A40x55x7 STEFA | SHAFT SAEL | 3 | 3 |
| 14 | 31291 | NAPA | HUB | 2 | 2 |
| 15 | 20932 | KIEKKO 17,5" 4mm | COULTER DISC | 2 | 2 |
| 16 | A0C1T4524 | 6-KOLOR.UPP.M12X20 10.9 DIN7991ZN | SCREW | 12 | 12 |
| 17 | A060G1024 | 6-RUUVI M6X16 8.8 DIN 933 ZN | SCREW | 4 | 4 |
| 18 | B560N1524 | KORILAATTA M 6 DIN9021 ZN | WASHER | 4 | 4 |
| 19 | 31755 | JOUSITERÄS RAAPIJA | SCRAPER | 2 | 2 |
| 20 | WB802161820 | WB802 LAAKERI 16/18-20 | BEARING | 2 | 2 |
| 21 | 31752 | SULKIJAPYÖRÄN KÄSIVARSI HITS. | ARM FOR CLOSER WHEEL | 1 | 1 |
| 22 | A080S1514 | 6-RUUVI M8X25 8.8 DIN933 ZN | SCREW | 2 | 2 |
| 23 | 22629 | RAAPIJAN VARSII | ARM FOR SCRAPER | 1 | 1 |
| 24 | 22162 | SULKIJAPYÖRÄN RAAPIJA | SCRAPER FOR CLOSER WHEEL | 1 | 1 |
| 25 | A080L1514 | 6-RUUVI M8X20 8.8 DIN 933 ZN | SCREW | 2 | 2 |
| 26 | AG8113014 | 6-MUTTERI II M 8 DIN985-8 ZN | NUT | 4 | 4 |
| 27 | 20909 | SULKIJAPYÖRÄ DIRECT BUCO | CLOSER WHEEL | 1 | 1 |
| 28 | 20977 | MUOVIKIELEKE VANTAAN SISÄÄN | PLASTIC PROJECTION | 1 | 1 |
| 29 | A0C2L1514 | 6-RUUVI M12X80 8.8 DIN931 ZN | SCREW | 1 | 1 |
| 30 | 22631 | JOUSEN TAPPI | PIVOT FOR SPRING | 1 | 1 |
| 31 | B5C0R2024 | ALUSLAATTA M12 DIN125A ZN | WASHER | 4 | 4 |
| 32 | AGC113014 | 6-MUTTERI II M12 DIN985-8 ZN | NUT | 1 | 1 |
| 33 | 22632 | TYÖKALUJOUSI 20*40*115 | SPRING | 1 | 1 |
| 34 | BD0117 | NEULASOKKA 6Mm DIN11024 ZN | COTTER PIN | 1 | 1 |
| 35 | A050K8025 | TÄHTIRUUVI M6X20 DIN 7985 | SCREW | 2 | 2 |
| 36 | BH0H11L16 | SEGER RENG AKS 16X1 471 | CIRCLIP | 1 | 1 |
| 37 | 31774 | SARANATAPPI | PIVOT | 1 | 1 |
| 38 | 32485 | MULTASUOJA KELTAINEN | DUST SHIELD | 2 | 2 |
| 39 | A0G151524 | 6-RUUVI M16X35 8.8 DIN933 ZN | SCREW | 1 | 1 |
| 40 | B5G102524 | ALUSLAATTA M16 DIN125A ZN | WASHER | 1 | 1 |
| 41 | 31735 | VANTAAN RUNKO HITS 2014 ETU | FRAME FRONT | 1 | |
| | 31743 | VANTAAN RUNKO HITS 2014 TAKA | FRAME REAR | | 1 |
| 42 | AGG113014 | 6-MUTTERI II M16 DIN985-8 ZN | NUT | 1 | 1 |
| 43 | BJ6150400 | RASVANIPPA M6*1/SUORA N 504 | GREASE NIPPLE | 1 | 1 |
| 44 | B850N0001 | JOUSISOKKA 5X22 DIN1481 ZNC | TUBULAR PIN | 1 | 1 |
| 45 | 20988 | SÄÄTÖTAPPI KORKEUSSÄÄTÖÖN | ADJUSTMENT PIVOT | 1 | 1 |
| 46 | A080G1514 | 6-RUUVI M8X16 8.8 DIN 933 ZN | SCREW | 6 | 6 |
| 47 | 20940 | BUCO PYÖRÄ 10091 | WHEEL | 1 | 1 |
| 48 | BJ6150430 | RASVANIPPA M6*1 /29MM DIN 71412 A | GREASE NIPPLE | 1 | 1 |
| 49 | BA51L0004 | SAKSISOKKA 5X50 DIN94 ZN | SPLIT PIN | 1 | 1 |
| 50 | 22536 | KANNATINP VARSII HITS 2011 | ARM FOR HOLDER WHEEL | 1 | 1 |
| | 31750 | VANNAS D, TAKA KOOTTU | COULTER REAR | | |
| | 31740 | VANNAS D, ETU KOOTTU | COULTER FRONT | | |

2.12 VETOLAITE S

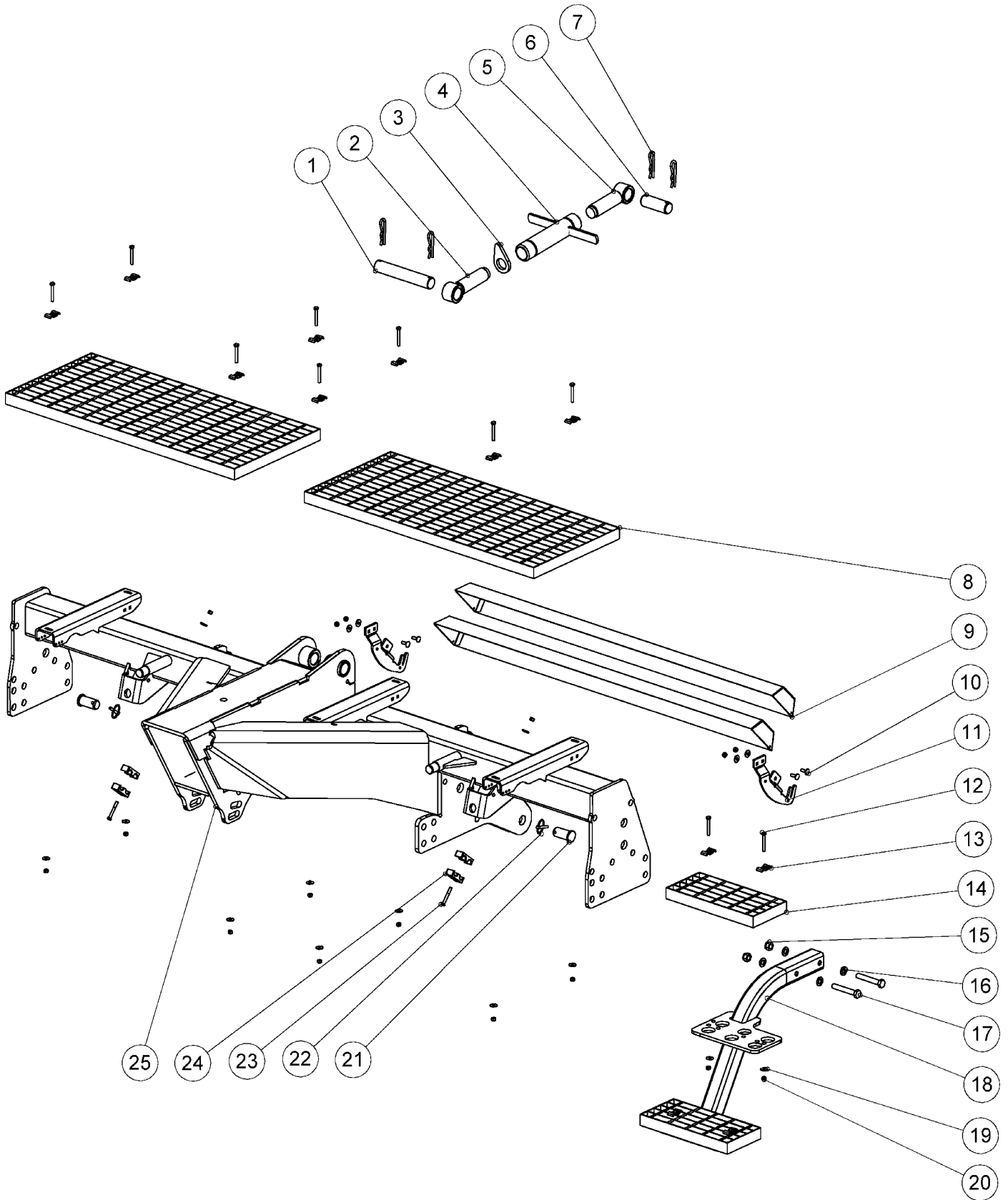
2.12 DRAWBAR S



| OSA PART | KOODI CODE | NIMITYS | DESCRIPTION | S300 | S400 |
|-------------|---------------|--|--------------|------|------|
| 1 | 31705 | TASORITILÄ ETEEN | GRILL | 2 | |
| | 32429 | TASORITILÄ 400 | GRILL | | 2 |
| 2 | BD0117 | NEULASOKKA 6M _m DIN11024 ZN | COTTER PIN | 4 | 4 |
| 3 | 17666 | KIERREKLUNSSI VASENK. HITS. | THREAD PIECE | 1 | 1 |
| 4 | 31643 | VÄLIPUTKI HITS. S300 S400 | BAR | 1 | 1 |
| 5 | 17665 | KIERREKLUNSSI OIK. HITS. | THREAD PIECE | 1 | 1 |
| 6 | 17347 | TAPPI SYLINT. JA TYÖNTÖV. | PIVOT | 2 | 2 |
| 7 | A05960 | 6-RUUVI M8X60 8.8 DIN 931 ZN | SCREW | 12 | 12 |
| 8 | 31175 | KIINNIKE | HOLDER | 12 | 12 |
| 9 | 32519 | TASORITILÄ L=382 | GRILL | 2 | 2 |
| 10 | AGG113014 | 6-MUTTERI II M16 DIN985-8 ZN | NUT | 2 | 2 |
| 11 | B5G102524 | ALUSLAATTA M16 DIN125A ZN | WASHER | 4 | 4 |
| 12 | A0G3A1512 | 6-RUUVI M16X100 8.8 DIN931ZN | SCREW | 2 | 2 |
| 13 | 32594 | ASTIN HITS ETEEN | STEP | 1 | 1 |
| 14 | B580N1524 | KORILAATTA M 8 DIN9021B ZN | WASHER | 12 | 12 |
| 15 | AG8113014 | 6-MUTTERI II M 8 DIN985-8 ZN | NUT | 12 | 12 |
| 16 | 17558 | KIINNITYSTAPPI VETOLAITTEELLE | PIVOT | 2 | 2 |
| 17 | BE8600002 | RENGAS-SOKKA 8X45 L=040 ZN | LINCHPIN | 2 | 2 |
| 18 | 31571 | VETORUNKO HITS. | DRAW-FRAME | 1 | |
| | 32625 | VETORUNKO 4000 S HITS. | DRAW-FRAME | | 1 |

2.13 VETOLAITE SMD

2.13 DRAWBAR SMD



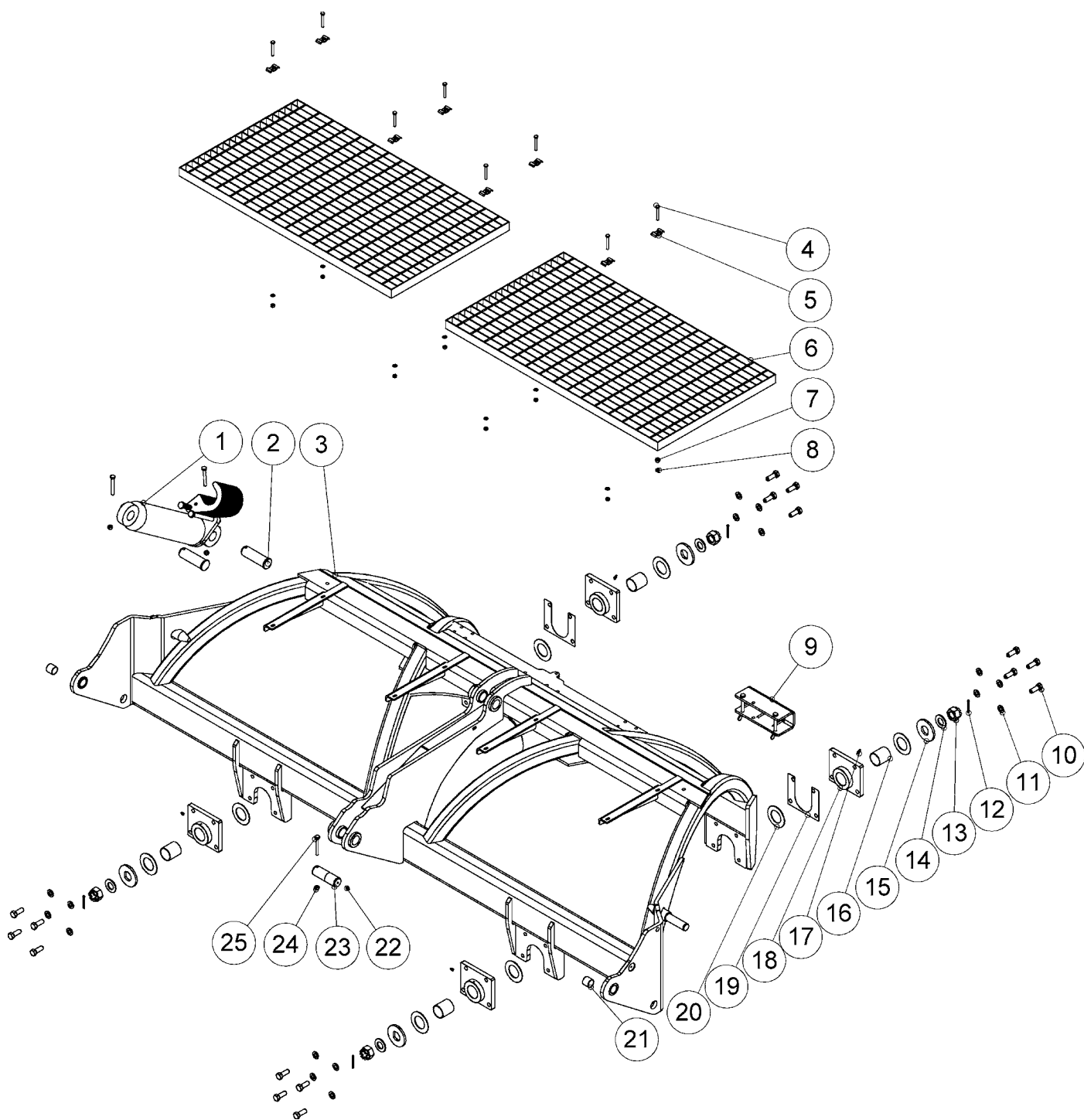
| OSA PART | KOODI CODE | NIMITYS | DESCRIPTION | SMD300 SMD400 | |
|-------------|---------------|-------------------------------|-------------------------|---------------|----|
| 1 | 20803 | TYÖNTÖVARRENTAPPI | PIVOT FOR PUSHARM | 1 | 1 |
| 2 | 31722 | KIERREKLUNSSI VASENK. HITS. | THREAD PIECE | 1 | 1 |
| 3 | 33275 | TYÖNTÖVARREN LUKITSIN M D | LOCK FOR PUSHARM | 1 | 1 |
| 4 | 31718 | TYÖNTÖVARREN PUTKI HITS. | PUSHBAR | 1 | 1 |
| 5 | 31720 | KIERREKLUNSSI OIK. HITS. | THREAD PIECE | 1 | 1 |
| 6 | 17347 | TAPPI SYLINT. JA TYÖNTÖV. | PIVOT | 1 | 1 |
| 7 | BD0117 | NEULASOKKA 6Mm DIN11024 ZN | COTTER PIN | 4 | 4 |
| 8 | 31705 | TASORITILÄ ETEEN | GRILL | 2 | |
| | 32429 | TASORITILÄ 400 | GRILL | | 2 |
| 9 | 17663 | KIERTOKOEKAUKALO | CALIBRATION TRAY | 2 | |
| | 18202 | KIERTOKOEKAUKALO 400 HITS. | CALIBRATION TRAY | | 2 |
| 10 | A080S3014 | LUKKOR. M8X25 4.6 DIN 603 ZN | SCREW | 4 | 4 |
| 11 | 33337 | KK-KAUKALON KANNAKE | CALIBRATION TRAY HOLDER | 2 | 2 |
| 12 | A05960 | 6-RUUVI M8X60 8.8 DIN 931 ZN | SCREW | 12 | 12 |
| 13 | 31175 | KIINNIKE | HOLDER | 12 | 12 |
| 14 | 32519 | TASORITILÄ L=382 | GRILL | 2 | 2 |
| 15 | AGG113014 | 6-MUTTERI II M16 DIN985-8 ZN | NUT | 2 | 2 |
| 16 | B5G102524 | ALUSLAATTA M16 DIN125A ZN | WASHER | 4 | 4 |
| 17 | A0G3A1512 | 6-RUUVI M16X100 8.8 DIN931ZN | SCREW | 2 | 2 |
| 18 | 32594 | ASTIN HITS ETEEN | STEP | 1 | 1 |
| 19 | B580N1524 | KORILAATTA M 8 DIN9021B ZN | WASHER | 18 | 18 |
| 20 | AG8113014 | 6-MUTTERI II M 8 DIN985-8 ZN | NUT | 18 | 18 |
| 21 | 17558 | KIINNITYSTAPPI VETOLAITTEELLE | PIVOT | 2 | 2 |
| 22 | BE8600002 | RENGAS-SOKKA 8X45 L=040 ZN | LINCHPIN | 2 | 2 |
| 23 | A05951 | 6-KOLOR. M8X60 8.8 DIN 912 ZN | SCREW | 2 | 2 |
| 24 | D6C322 | KAKSOISKIINNIKE CF 322-22 | HOLDER | 4 | 4 |
| 25 | 32600 | VETOLAITE MD300 HITS. 2014 | DRAW BAR | 1 | |
| | 32620 | VETOLAITE MD400 HITS. 2014 | DRAW BAR | | 1 |

3 JYRÄPYÖRÄSTÖ

3 WHEEL SET

3.1 JYRÄPYÖRÄSTÖN RUNKO SMD

3.1 FRAME OF THE WHEEL SET SMD

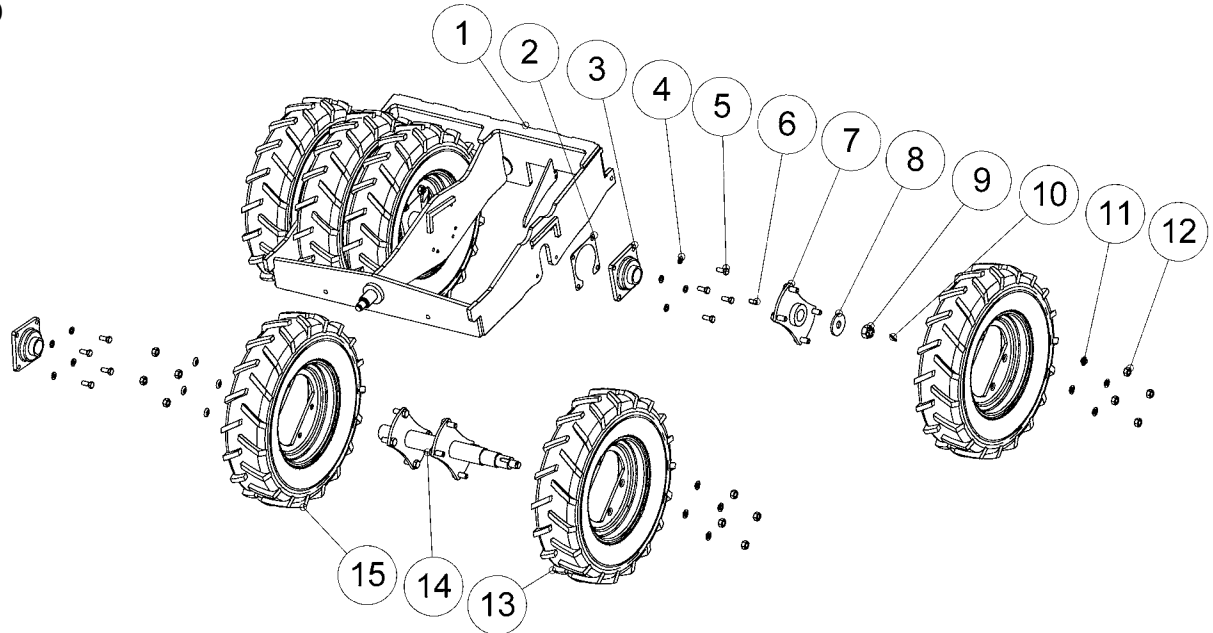


| OSA PART | KOODI CODE | NIMITYS | DESCRIPTION | SMD300 | SMD400 |
|----------|------------|--------------------------------|--------------------------|--------|--------|
| 1 | 17867 | SYLINTERI KOOTTU | CYLINDER | 1 | 1 |
| 2 | 17667 | TAPPI TYÖNTÖVARRELLE | PIVOT | 2 | 2 |
| 3 | 32530 | JYRÄPYÖRÄSTÖN RUNKO HITS. 300 | FRAME | 1 | |
| | 33430 | JYRÄPYÖRÄSTÖN RUNKO HITS. 400 | FRAME | | 1 |
| 4 | A05960 | 6-RUUVI M8X60 8.8 DIN 931 ZN | SCREW | 8 | 8 |
| 5 | 31175 | KIINNIKE | HOLDER | 8 | 8 |
| 6 | 31542 | TASORITILÄ | GRILL | 2 | |
| | 32409 | TASORITILÄ 400 | GRILL | | 2 |
| 7 | B580H1624 | ALUSLAATTA M 8 DIN125A ZN | WASHER | 8 | 8 |
| 8 | AG8113014 | 6-MUTTERI II M 8 DIN985-8 ZN | NUT | 8 | 8 |
| 9 | 18242 | HUOLTOTUKI KOOTTU | MAINTENANCE SUP- PORT | 1 | 1 |
| 10 | A0G1F1514 | 6-RUUVI M16X45 8.8 DIN933 ZN | SCREW | 16 | 16 |
| 11 | B5G102524 | ALUSLAATTA M16 DIN125A ZN | WASHER | 16 | 16 |
| 12 | BA51L0004 | SAKSISOKKA 5X50 DIN94 ZN | SPLIT PIN | 4 | 4 |
| 13 | 33442 | KUUSIOKRUUNUMUTTERI M30x1.5 DI | NUT | 4 | 4 |
| 14 | B61850 | ALUSLAATTA M30 DIN125A ZNC | WASHER | 4 | 4 |
| 15 | 33453 | PYÖRIMISENESTO LEVY | SPINNING BLOCK PLATE | 4 | 4 |
| 16 | CV03L5060 | DYMET LAAK REI'ITETTY 50/55/60 | BEARING | 4 | 4 |
| 17 | BJ6157400 | RASVANIPPA M 6*1/45 AST.N574 | GREASE NIPPLE | 4 | 4 |
| 18 | 33444 | KEINUN LAAKERI KP | BEARING | 4 | 4 |
| 19 | 33439 | LAAKERIPESÄN SOVITUSLEVY | FITTING PLATE | 2 | 2 |
| 20 | 31167 | DRYMET PAINELAAKERI 92/55-2,5 | BEARING | 8 | 8 |
| 21 | CV0303430 | DYMET LAAKERI 30/34/30 | BEARING | 2 | 2 |
| 22 | BJ6500000 | RASVANIPPA M 8*1.25 N:O 507 | GREASE NIPPLE | 1 | 1 |
| 23 | 17339 | TAPPI RUNKOON JYRÄPYÖRÄSTÖLLE | PIVOT | 1 | 1 |
| 24 | AGA113014 | 6-MUTTERI II M10 DIN985-8 ZN | NUT | 3 | 3 |
| 25 | A0A2F1514 | 6-RUUVI M10X75 8.8 DIN931 ZN | SCREW | 3 | 3 |

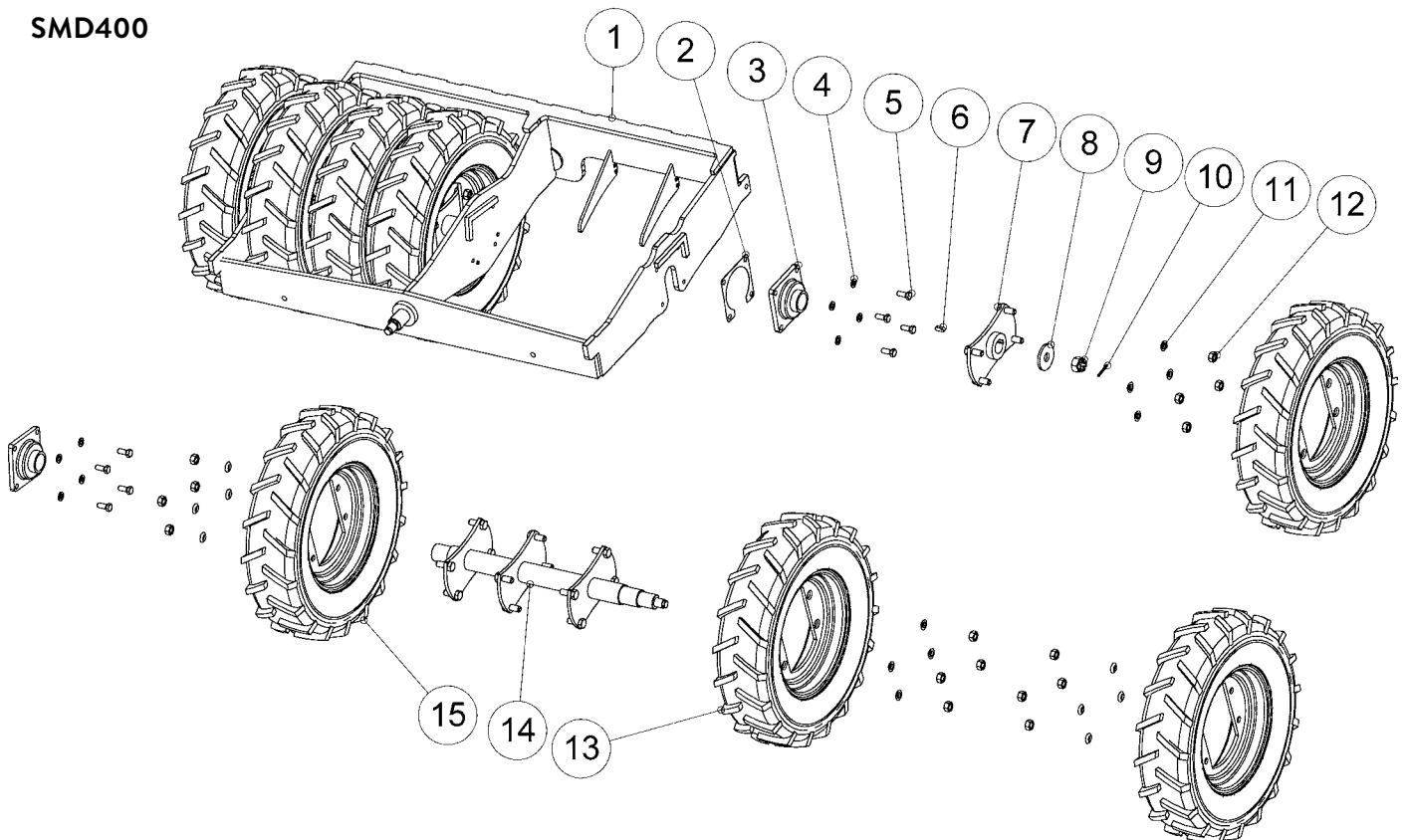
3.2 JYRÄPYÖRÄSTÖN KEINU SMD

3.2 ROCKER SHAFT OF THE WHEEL SET SMD

SMD300



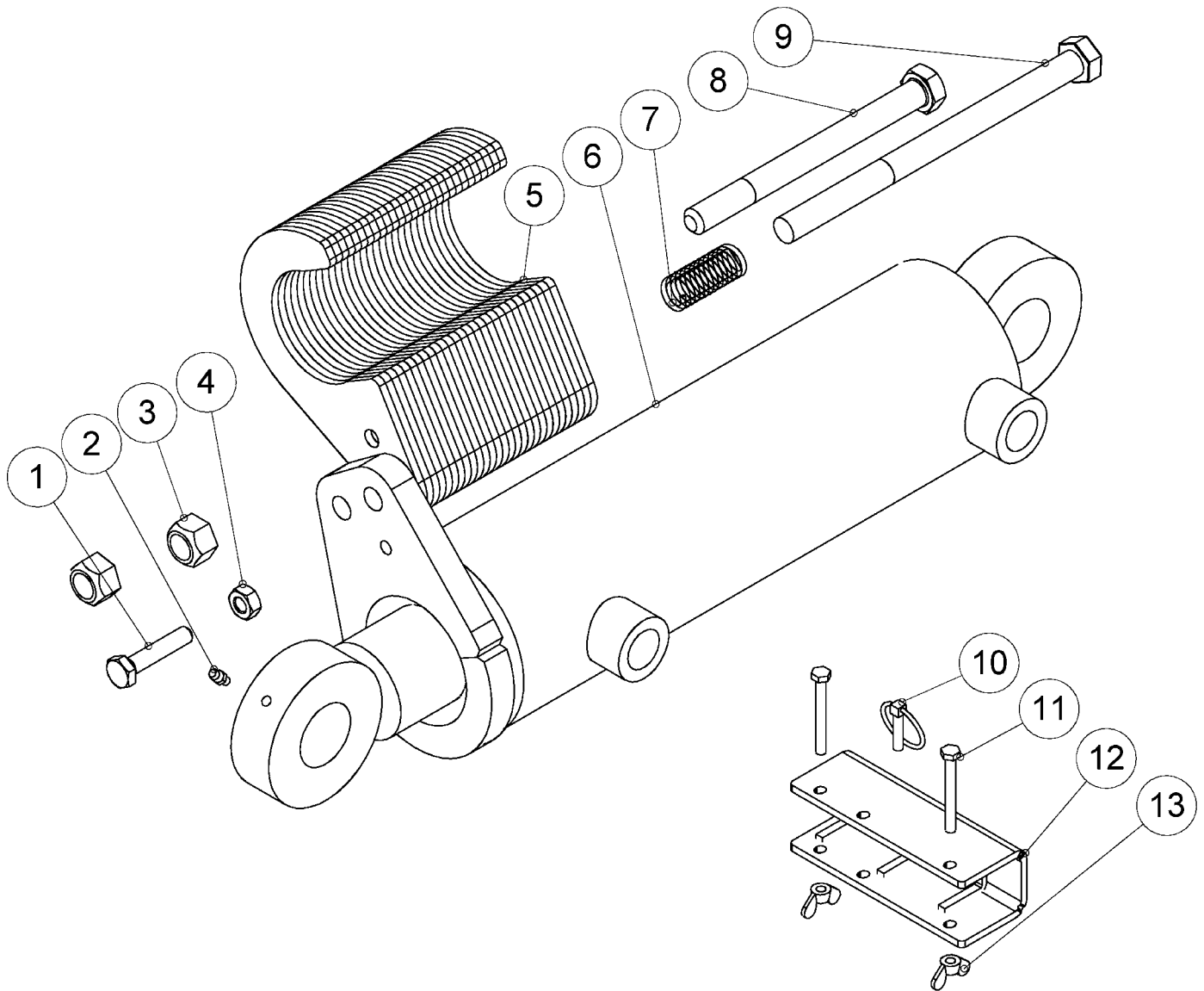
SMD400



| OSA PART | KOODI CODE | NIMITYS | DESCRIPTION | SMD300 | SMD400 |
|-------------|---------------|-----------------------------------|---------------|--------|--------|
| 1 | 33385 | TELIKEHIKKO 300 | FRAME | 1 | |
| | 33310 | TELIKEHIKKO 400 | FRAME | | 1 |
| 2 | 33438 | LAIPPALAAKERIN SOVITUSLEVY | FITTING PLATE | 2 | 2 |
| 3 | 33387 | LAIPPALAAKERI FK UCF 212 | BEARING | 4 | 4 |
| 4 | B5G102524 | ALUSLAATTA M16 DIN125A ZN | WASHER | 16 | 16 |
| 5 | A0G1A1514 | 6-RUUVI M16X40 8.8 DIN933 ZN | SCREW | 16 | 16 |
| 6 | 773521 | KIILA SYÖTTÖRULL.AKS.9*14*36 | COTTER | 2 | 2 |
| 7 | 32701 | PYÖRÄNNAPA HITS | HUB | 2 | 2 |
| 8 | 33443 | ALUSLEVY 92/31/8 | WASHER | 2 | 2 |
| 9 | 33442 | KUUSIOKRUUNUMUTTERI M30x1.5 DINUT | | 2 | 2 |
| 10 | BA51L0004 | SAKSISOKKA 5X50 DIN94 ZN | SPLIT PIN | 2 | 2 |
| 11 | A0L1F1216 | KARTIOALUSLEVY M20 DIN6319-C | WASHER | 24 | 32 |
| 12 | A51900 | 6-MUTTERI M20X1.5 DIN934-8 ZN | NUT | 24 | 32 |
| 13 | 33411 | PYÖRÄ VASEN 16" | WHEEL | 3 | 4 |
| | 33412 | PYÖRÄ VASEN 20" | WHEEL | 3 | 4 |
| 14 | 32699 | PYÖRÄN AKSELI HITS. 300 | SHAFT | 2 | |
| | 33305 | PYÖRÄSTÖN AKSELI 400 | SHAFT | | 2 |
| 15 | 33311 | PYÖRÄ OIKEA 16" | WHEEL | 3 | 4 |
| | 33312 | PYÖRÄ OIKEA 20" | WHEEL | 3 | 4 |

3.3 JYRÄPYÖRÄSTÖN SYLINTERI JA HUOLTOTUKI

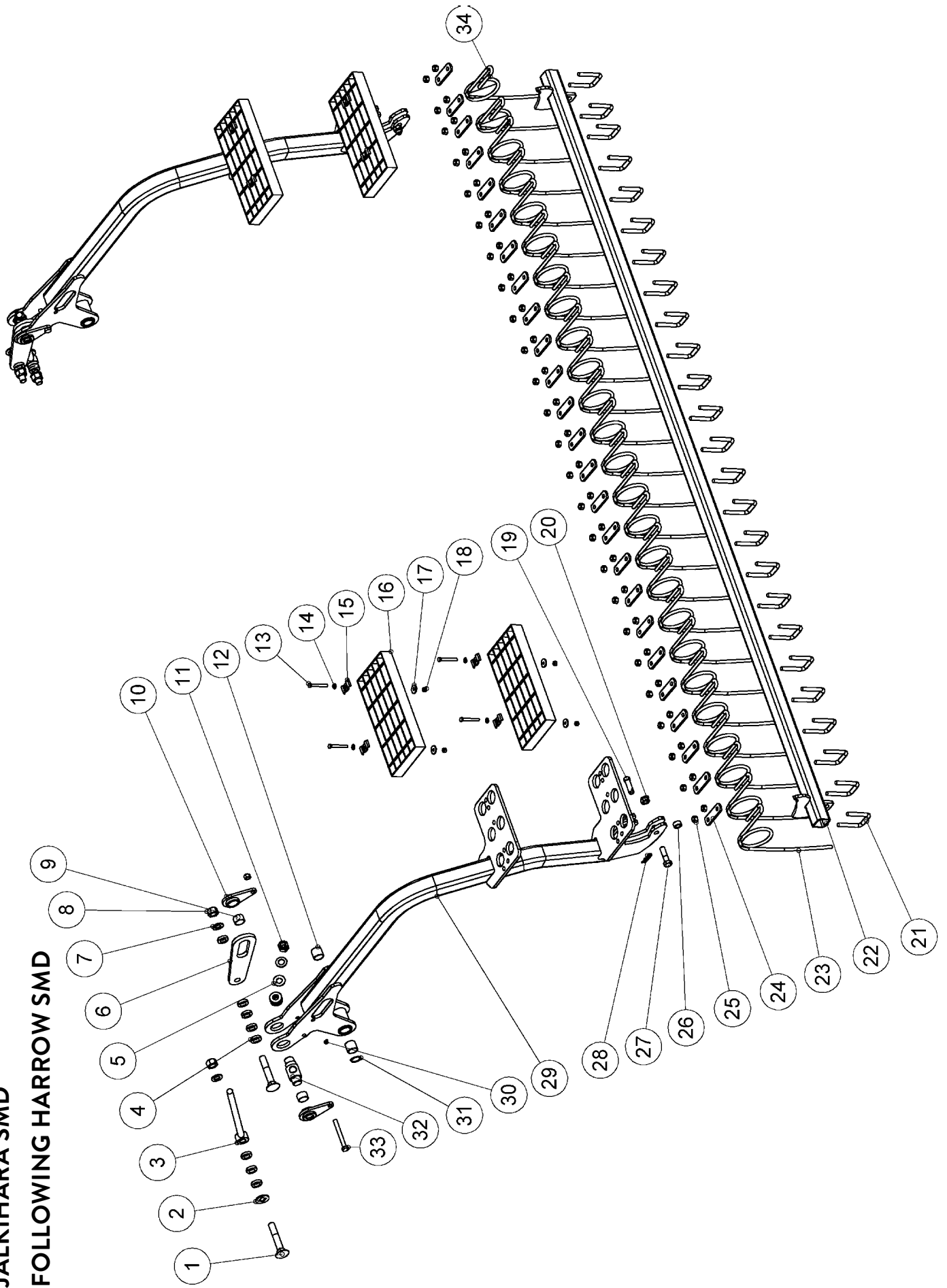
3.3 CYLINDER AND MAINTENANCE SUPPORT OF THE WHEEL SET



| OSA PART | KOODI CODE | NIMITYS | DESCRIPTION | SYLINTERI/ CYLINDER | HUOLTOTUKI/ SERVICE STAND |
|----------|------------|--------------------------------|--------------------------|------------------------|------------------------------|
| 1 | A0A1L1014 | 6-RUUVI M10X50 8.8 DIN933 ZN | SCREW | 1 | |
| 2 | BJ6150400 | RASVANIPPA M6*1/SUORA N 504 | GREASE NIPPLE | 2 | |
| 3 | AGG113014 | 6-MUTTERI II M16 DIN985-8 ZN | NUT | 2 | |
| 4 | AGA111014 | 6-MUTTERI M10 DIN934-8 ZN | NUT | 1 | |
| 5 | 17411 | LAMELLILEVY 5mm | LAMELLA PLATE | 28 | |
| 6 | 17366 | SYLINTERI HITS. | CYLINDER | 1 | |
| 7 | E46204 | PURISTUSJOUSI 6204 75*23,6*3,6 | SPRING | 1 | |
| 8 | A0G701514 | 6-RUUVI M16X180 8.8 DIN931 ZN | SCREW | 1 | |
| 9 | A0G6L1034 | 6-RUUVI M16X230 8.8 DIN931 ZN | SCREW | 1 | |
| 10 | BEC000002 | RENGAS-SOKKA 10X40 L=40 ZN | LINCHPIN | | 1 |
| 11 | A0A301314 | 6-RUUVI M10X90 8.8 DIN931 ZN | SCREW | | 2 |
| 12 | 18241 | HUOLTOTUKI | MAINTENANCE SUP- PORT | | 1 |
| 13 | AGA11J014 | SIIPIMUTTERI M10 DIN315 ZN | NUT | | 2 |

3.4 JÄLKIHARA SMD

3.4 FOLLOWING HARROW SMD



| OSA PART | KOODI CODE | NIMITYS | DESCRIPTION | SM300 | SM400 | D300 | D400 |
|-------------|---------------|--------------------------------|---------------------|-------|-------|------|------|
| 1 | A0G2F6014 | LUKKOR.M20X120 DIN603 ZN | SCREW | 4 | 4 | 4 | 4 |
| 2 | 33350 | ALUSLEVY LUKKORUUVI | WASHER | 2 | 2 | 2 | 2 |
| 3 | 31635 | SILMÄRUUVI HITSATTU | SCREW | 2 | 2 | 2 | 2 |
| 4 | 31880 | VÄLIHOLKKI 8x21x35 | BUSHING | 16 | 16 | 16 | 16 |
| 5 | B61472 | LAUTASJOUSI 40*20.4*1.5 | SPRING | 20 | 20 | 20 | 20 |
| 6 | 31868 | NOSTOTANKO | LIFTING BAR | 2 | 2 | 2 | 2 |
| 7 | B5L173024 | ALUSLAATTA M20 DIN125A ZN | WASHER | 6 | 6 | 6 | 6 |
| 8 | AGL111014 | 6-MUTTERI M20 DIN934-8 ZN | NUT | 4 | 4 | 4 | 4 |
| 9 | CV0303420 | DYMET LAAKERI 30/34-20 | BEARING | 4 | 4 | 4 | 4 |
| 10 | 31670 | LAIPPA JA HOLKKI HITS | FLANGE | 4 | 4 | 4 | 4 |
| 11 | AGL113014 | 6-MUTTERI II M20 Din985-8 ZN | NUT | 2 | 2 | 2 | 2 |
| 12 | CV0303430 | DYMET LAAKERI 30/34/30 | BEARING | 4 | 4 | 4 | 4 |
| 13 | A08251312 | 6-RUUVI M8X65 8.8 DIN 931 ZN | SCREW | 8 | 8 | 8 | 8 |
| 14 | B580H1624 | ALUSLAATTA M 8 DIN125A ZN | WASHER | 8 | 8 | 8 | 8 |
| 15 | 31175 | KIINNIKE | HOLDER | 8 | 8 | 8 | 8 |
| 16 | 32519 | TASORITILÄ L=382 | GRILL | 4 | 4 | 4 | 4 |
| 17 | B580V1544 | KORILAATTA M 8 DIN440R ZN | WASHER | 8 | 8 | 8 | 8 |
| 18 | A50710 | 6-MUTTERI II M8 A2 DIN985 AISI | NUT | 8 | 8 | 8 | 8 |
| 19 | 33425 | TAPPI D16 L50 | PIVOT | 2 | 2 | 2 | 2 |
| 20 | AGG113014 | 6-MUTTERI II M16 DIN985-8 ZN | NUT | 2 | 2 | 2 | 2 |
| 21 | 32422 | U-PULTTI | U-SCREW | 25 | 33 | 19 | 25 |
| 22 | 31662 | PIIKKIAKSELI HITS. 300 | SHAFT | 1 | | 1 | |
| | 32425 | PIIKKIAKSELI HITS 400 | SHAFT | | 1 | | 1 |
| 23 | 31674 | JÄLKIHRAN PIIKKI 2013 | HARROW STICK | 23 | 31 | 18 | 24 |
| 24 | 31139 | VASTALATTA | RESPONSE PLATE | 25 | 33 | 19 | 25 |
| 25 | AGC113014 | 6-MUTTERI II M12 DIN985-8 ZN | NUT | 52 | 68 | 40 | 52 |
| 26 | 33601 | VÄLIHOLKKI HARAAN | BUSHING | 2 | 2 | 2 | 2 |
| 27 | A0G201514 | 6-RUUVI M16X60 8.8 DIN931 ZN | SCREW | 2 | 2 | 2 | 2 |
| 28 | BD3011404 | NEULASOKKA 4Mm DIN11024 ZN | COTTER PIN | 2 | 2 | 2 | 2 |
| 29 | 31654 | HARAN VARSII HITS VAS | HARROW ARM, LEFT | 1 | 1 | 1 | 1 |
| | 31655 | HARAN VARSII HITS OIK | HARROW ARM, RIGHT | 1 | 1 | 1 | 1 |
| 30 | BJ6150400 | RASVANIPPA M6*1/SUORA N 504 | GREASE NIPPLE | 2 | 2 | 2 | 2 |
| 31 | BH1011L11 | SEGER-RENG AKS 30X1.5 471 | CIRCLIP | 2 | 2 | 2 | 2 |
| 32 | 31668 | REAKTIOTANGON TAPPI | PIVOT | 2 | 2 | 2 | 2 |
| 33 | A0C3L1514 | 6-RUUVI M12X110 8.8 DIN 931ZN | SCREW | 2 | 2 | 2 | 2 |
| 34 | 33351 | JÄLKIHRAN PIIKKI OIK. | HARROW STICK, RIGHT | 2 | 2 | 1 | 1 |
| | 31660 | HARA SM 300 KOOTTU | HARROW SM 300 | | | | |
| | 32423 | HARA SM 400 KOOTTU | HARROW SM 400 | | | | |
| | 33274 | HARA D 300 KOOTTU | HARROW D 300 | | | | |
| | 33360 | HARA D 400 KOOTTU | HARROW D 400 | | | | |
| | 31666 | VARSII, VASEN KOOTTU | HARROW ARM, LEFT | | | | |
| | 31667 | VARSII, OIKEA KOOTTU | HARROW ARM, RIGHT | | | | |
| | 31664 | HARAPUTKI SM300 KOOTTU | HARROW SHAFT SM300 | | | | |
| | 32424 | HARAPUTKI SM400 KOOTTU | HARROW SHAFT SM400 | | | | |
| | 33269 | HARAPUTKI D300 KOOTTU | HARROW SHAFT D300 | | | | |
| | 33361 | HARAPUTKI D400 KOOTTU | HARROW SHAFT D400 | | | | |

4 AJOTIETOKONE

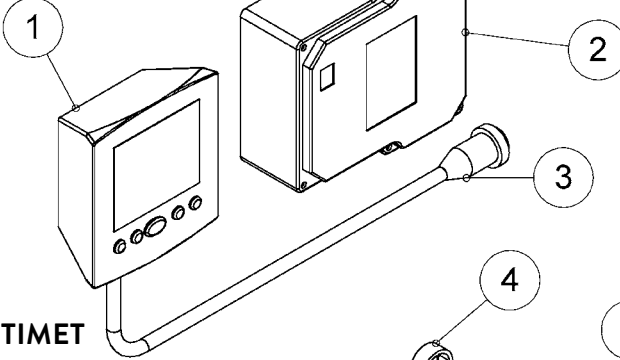
4 CONTROL UNIT

4.1 KOMPONENTIT

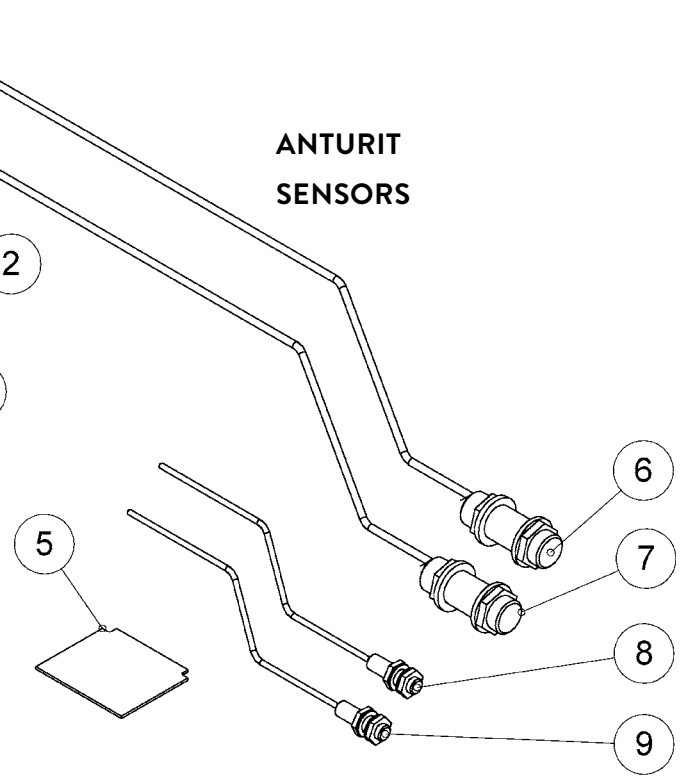
4.1 COMPONENTS

NÄYTTÖ+KOTELO

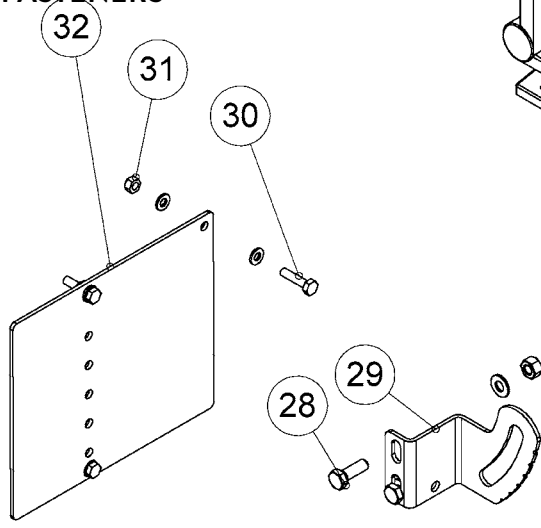
MONITOR+CASING



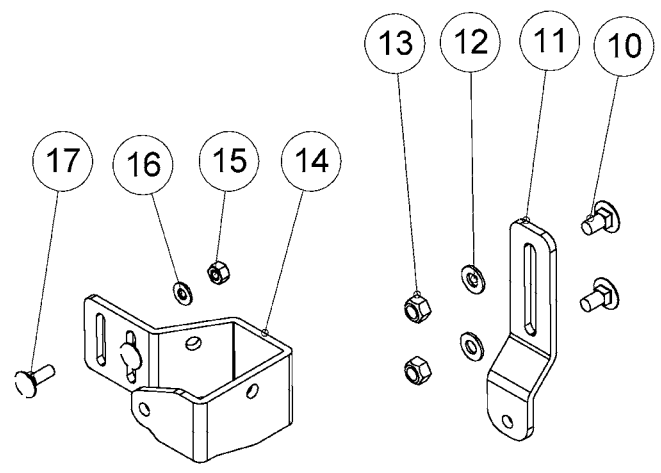
ANTURIT
SENSORS



KIINNITTIMET
FASTENERS

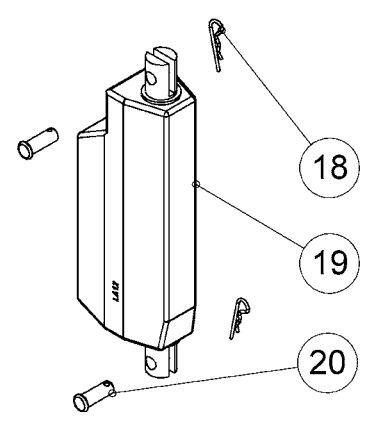
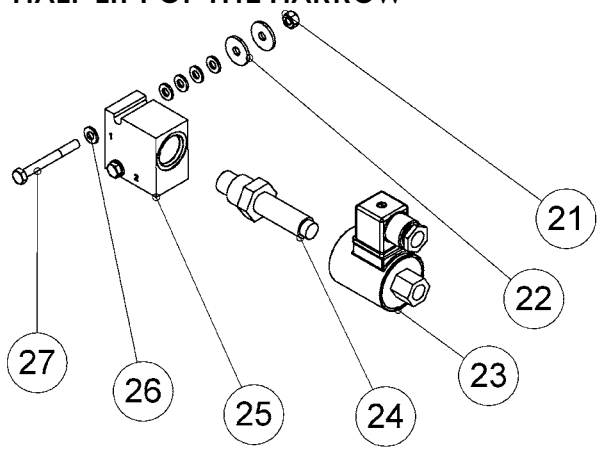


KAUKOSÄÄTÖ
REMOTE CONTROL



HARAN PUOLINOSTO

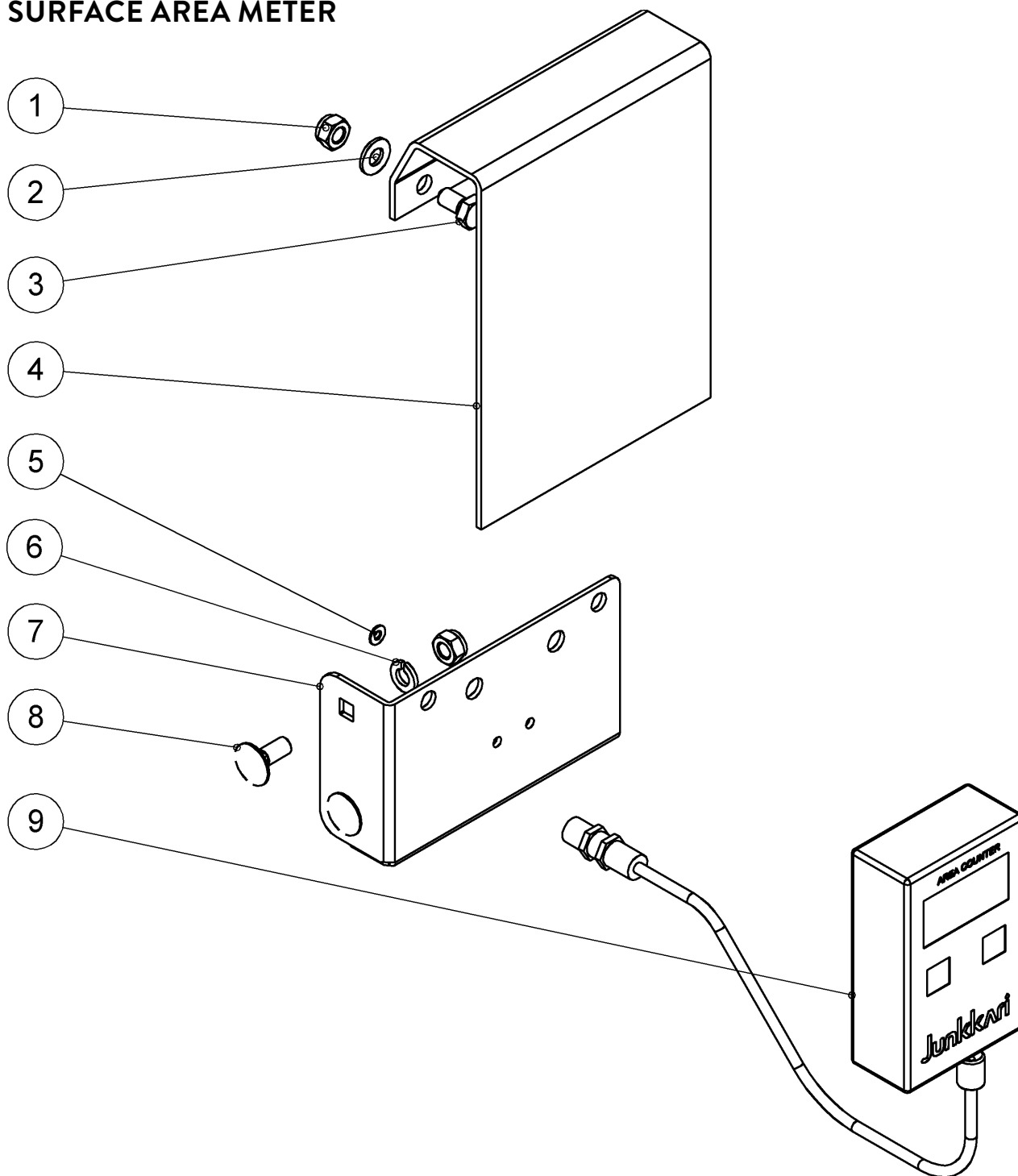
HALF LIFT OF THE HARROW



| OSA PART | KOODI CODE | NIMITYS | DESCRIPTION | KPL/PCS |
|----------|-----------------------|--------------------------------------|-----------------------------|---------|
| 1 | 31771 | G-WIZ NÄYTTÖ | MONITOR | 1 |
| 2 | M744-050 | KOTELO | CASING | 1 |
| 3 | S/CB/306-1-021 | KAAPELI NÄYTÖLTÄ | CABLE | 1 |
| 4 | K/WIZ/MTG/BKT | WIZARD KIINN.JALKA K/WIZ/MTG/ BKT | MONITOR FIXTURE | 1 |
| 5 | S/A341-008 3-22856 | PIIRIKORTTI ISOBUS ECU | CIRCUIT BOARD ISOBUS ECU | 1 1 |
| 6 | S/F713-009 | PINTAVAHTI RDS | LEVEL SENSOR | 1 |
| 7 | S/F713-009 | PINTAVAHTI RDS | LEVEL SENSOR | 1 |
| 8 | S/Z782-006 | ANTURI NOPEUS/LASKURI | SPEED SENSOR | 1 |
| 9 | S/Z782-006 | ANTURI NOPEUS/LASKURI | SPEED SENSOR | 1 |
| 10 | A0A0L3014 | LUKKOR.M10X20 4.6 DIN 603 ZN | SCREW | 2 |
| 11 | 21181 | LINAKIN KIINNIKE | LINAK HOLDER | 1 |
| 12 | B5A0MB024 | ALUSLAATTA M10 DIN125A ZN | WASHER | 2 |
| 13 | AGA113014 | 6-MUTTERI II M10 DIN985-8 ZN | NUT | 2 |
| 14 | 33237 | KIINNITYSLEVY SÄHKÖSYL. | HOLDER | 1 |
| 15 | AG8113014 | 6-MUTTERI II M 8 DIN985-8 ZN | NUT | 3 |
| 16 | B580H1624 | ALUSLAATTA M 8 DIN125A ZN | WASHER | 2 |
| 17 | A080S3014 | LUKKOR. M8X25 4.6 DIN 603 ZN | SCREW | 2 |
| 18 | BD2000004 | NEULASOKKA 2Mm DIN11024 ZN | COTTER PIN | 2 |
| 19 | D40600 | SYL.LINAK LA12.1P-100-12-011P65 | LINAK CYLINDER | 1 |
| 20 | BE1434 | SOKKATAP+REIKÄ SINKKELT 10X28 | PIVOT | 2 |
| 21 | AG6113014 | 6-MUTTERI II M 6 DIN985-8 ZN | NUT | 2 |
| 22 | B560N1524 | KORILAATTA M 6 DIN9021 ZN | WASHER | 4 |
| 23 | 6356012 | KELA | INDUCTOR | 1 |
| 24 | SV10-23-0-N-00 | PATRUUNA | CARTRIDGE | 1 |
| 25 | HF109048 | PUOLINOSTOVENTTIILI LOHKO | VALVE BLOCK | 1 |
| 26 | B560E1524 | ALUSLAATTA M 6 DIN125A ZN | WASHER | 16 |
| 27 | A03558 | 6-RUUVI M6X55 8.8 DIN 933 ZN | SCREW | 2 |
| 28 | A080S1514 | 6-RUUVI M8X25 8.8 DIN933 ZN | SCREW | 2 |
| 29 | 32640 | NOSTO/LASKUANTIRURIN PIDIN | SENSOR HOLDER | 1 |
| 30 | A060S1514 | 6-RUUVI M6X25 8.8 DIN 933 ZN | SCREW | 3 |
| 31 | AG5113014 | 6-MUTTERI II M 5 DIN985-8 ZN | NUT | 3 |
| 32 | 31194 | G-WIZ ALUSTA | FASTENER PLATE | 1 |

4.2 PINTA-ALAMITTARI

4.2 SURFACE AREA METER



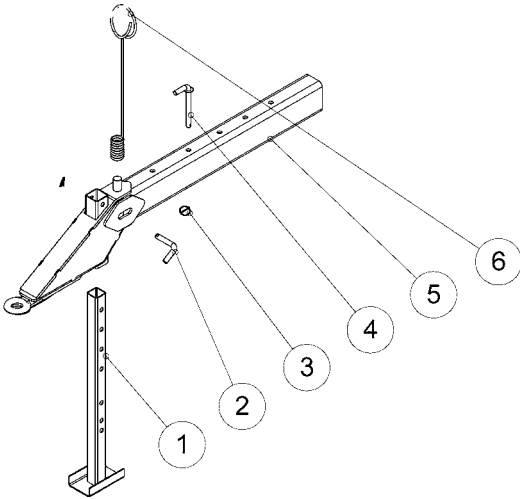
| OSA PART | KOODI CODE | NIMITYS | DESCRIPTION | KPL/PCS |
|----------|------------|---------------------------------|------------------------|---------|
| 1 | AG8113014 | 6-MUTTERI II M 8 DIN985-8 ZN | NUT | 4 |
| 2 | B580H1624 | ALUSLAATTA M 8 DIN125A ZN | WASHER | 2 |
| 3 | A080G1514 | 6-RUUVI M8X16 8.8 DIN 933 ZN | SCREW | 2 |
| 4 | 19688 | SUOJAVERHO | COVER | 1 |
| 5 | B540C1524 | ALUSLAATTA M 4 DIN125A ZN | WASHER | 2 |
| 6 | B580E2014 | JOUSIALUSL.M 8 DIN127B ZN | SPRING WASHER | 2 |
| 7 | 33289 | PA-MITTARIN ALUSTA LYKKETRONIC | FASTENER PLATE | 1 |
| 8 | A05150 | LUKKORUUVI M8X20 A2 DIN 603 | SCREW | 2 |
| 9 | 21282 | LYKKETRONIC AREA METER | LYKKETRONIC AREA METER | 1 |
| | 33290 | PA-MITTARI KP MSD-MALLIT KOOTTU | AREA METER | |

5 VETOAISA

5 DRAW BOOM

5.1 VETOAISA S, VETOKOUKULLE

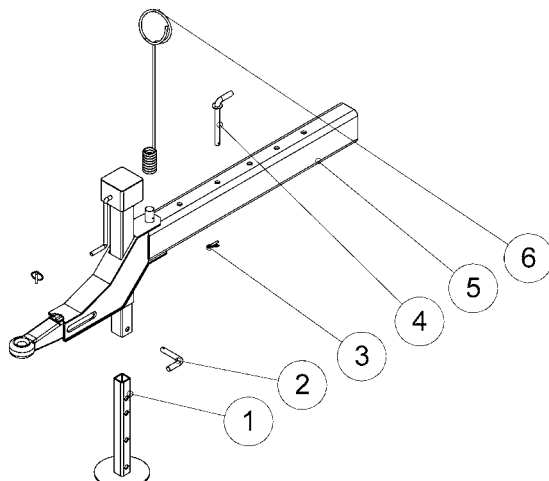
5.1 DRAW BOOM S, FOR TOWING HOOK



| OSA PART | KOODI CODE | NIMITYS | DESCRIPTION | KPL/PCS |
|----------|------------|----------------------------|-------------|---------|
| 1 | 14506 | TUKIJALKA HITSATTU | SUPPORT BAR | 1 |
| 2 | 17605 | SEISONTAJALAN TAPPI 20MM | PIVOT | 1 |
| 3 | BE8600002 | RENGAS-SOKKA 8X45 L=040 ZN | LINCHPIN | 2 |
| 4 | 14504 | VETOLAITTEEN TAPPI HITS. | PIVOT | 1 |
| 5 | 14309C | VETOPUOMI HITS. | DRAW BAR | 1 |
| 6 | 26858 | HYDRAULILETKUN KANNATIN Ø9 | HOSE HOLDER | 1 |

5.2 VETOAISA S, VETOKIDALLE

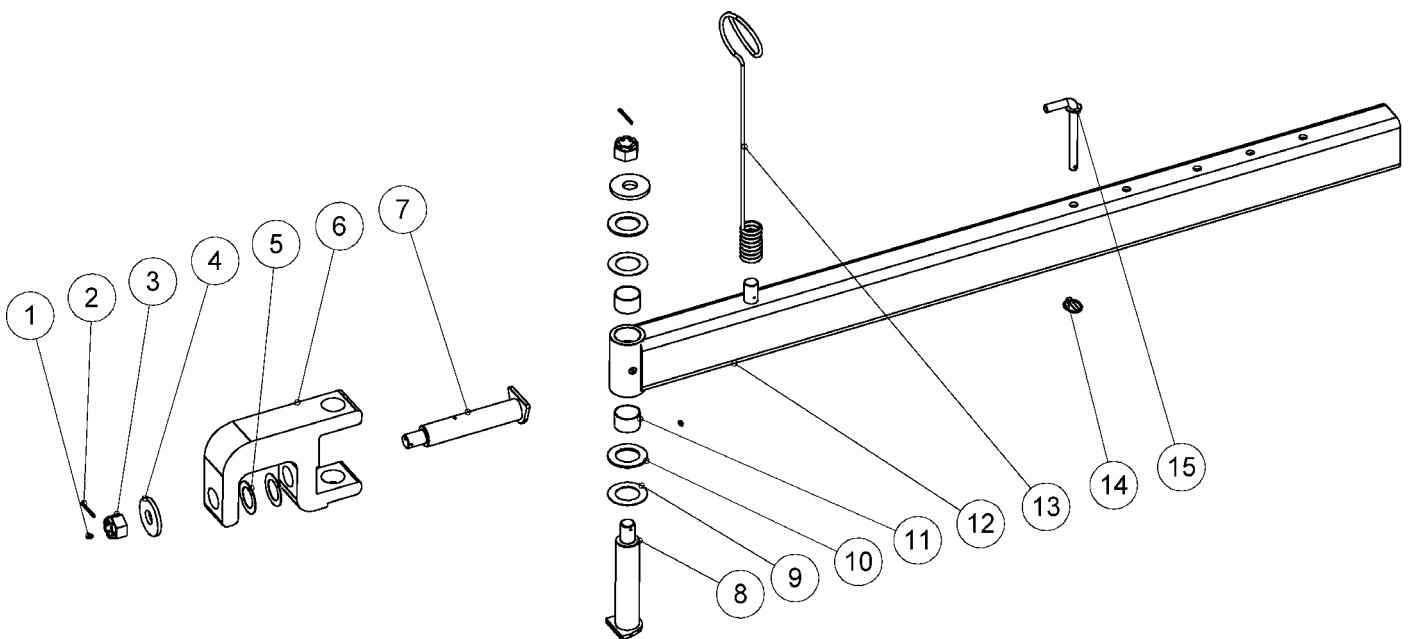
5.2 DRAW BOOM S, FOR MAW



| OSA PART | KOODI CODE | NIMITYS | DESCRIPTION | KPL/PCS |
|----------|------------|----------------------------|-------------|---------|
| 1 | 15679 | PUTKEN JATKE HITSATTU | SUPPORT BAR | 1 |
| 2 | 17605 | SEISONTAJALAN TAPPI 20MM | PIVOT | 1 |
| 3 | BE8600002 | RENGAS-SOKKA 8X45 L=040 ZN | LINCHPIN | 2 |
| 4 | 14504 | VETOLAITTEEN TAPPI HITS. | PIVOT | 1 |
| 5 | 16107 | VETOPUOMI TUV VETOSILMÄLLÄ | DRAW BAR | 1 |
| 6 | 26858 | HYDRAULILETKUN KANNATIN Ø9 | HOSE HOLDER | 1 |

5.3 VETOAISA S, PAKKERILLE

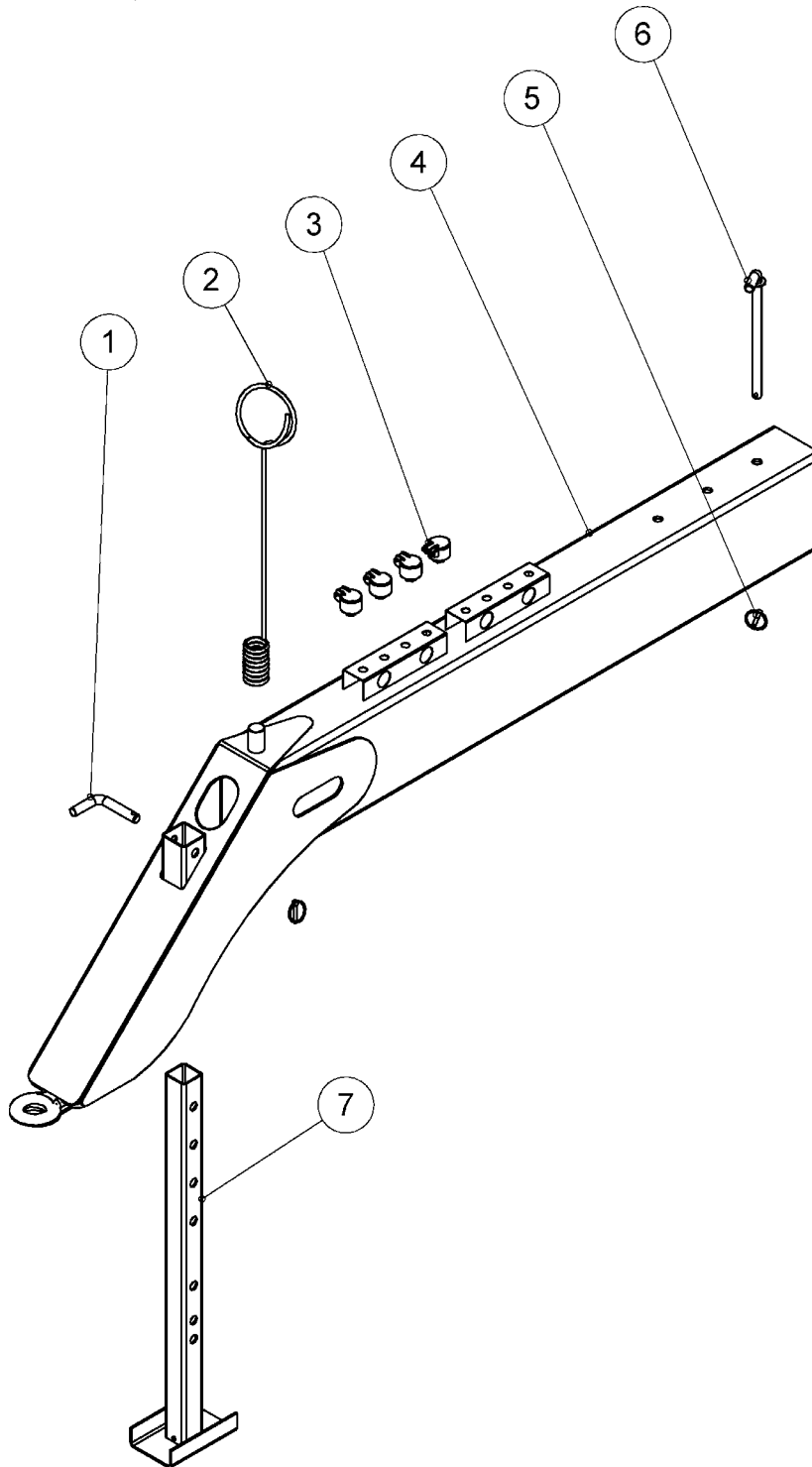
5.3 DRAW BOOM S, FOR PACKER



| OSA PART | KOODI CODE | NIMITYS | DESCRIPTION | KPL/PCS |
|----------|------------|--------------------------------|----------------|---------|
| 1 | BJ6500000 | RASVANIPPA M 8*1.25 N:O 507 | GREASE NIPPLE | 2 |
| 2 | BA5200004 | SAKSISOKKA 5X60 DIN94 ZN | SPLIT PIN | 2 |
| 3 | E73742 | KRUUNUMUTTERI M 36*1.5 DIN 935 | NUT | 2 |
| 4 | 867190P | ALUSLEVY 100/37-10 | WASHER | 2 |
| 5 | 14858 | PAINELAAKERI NIVELEEN | BEARING | 2 |
| 6 | 33271 | VETOAISAN KIINNITYSPALA PAKKER | FASTENER PIECE | 1 |
| 7 | 20854 | VAAKATAPPI HITS | PIVOT | 1 |
| 8 | 33278 | PYSTYTAPPI | PIVOT | 1 |
| 9 | CV0600705 | DYMET PAINELAAKERI 705-60 | BEARING | 2 |
| 10 | 18568 | VÄLIRENGAS 5MM | FITTING WASHER | 2 |
| 11 | CV0656040 | DYMET LAAKERI 701 60/65/40 | BEARING | 2 |
| 12 | 14857 | VETOAISA HITSATTU | DRAW BAR | 1 |
| 13 | 26858 | HYDRAULILETKUN KANNATIN Ø9 | HOSE HOLDER | 1 |
| 14 | BE8600002 | RENGAS-SOKKA 8X45 L=040 ZN | LINCHPIN | 1 |
| 15 | 14504 | VETOLAITTEEN TAPPI | PIVOT | 1 |

5.4 VETOAISA SMD, VETOKOUKULLE

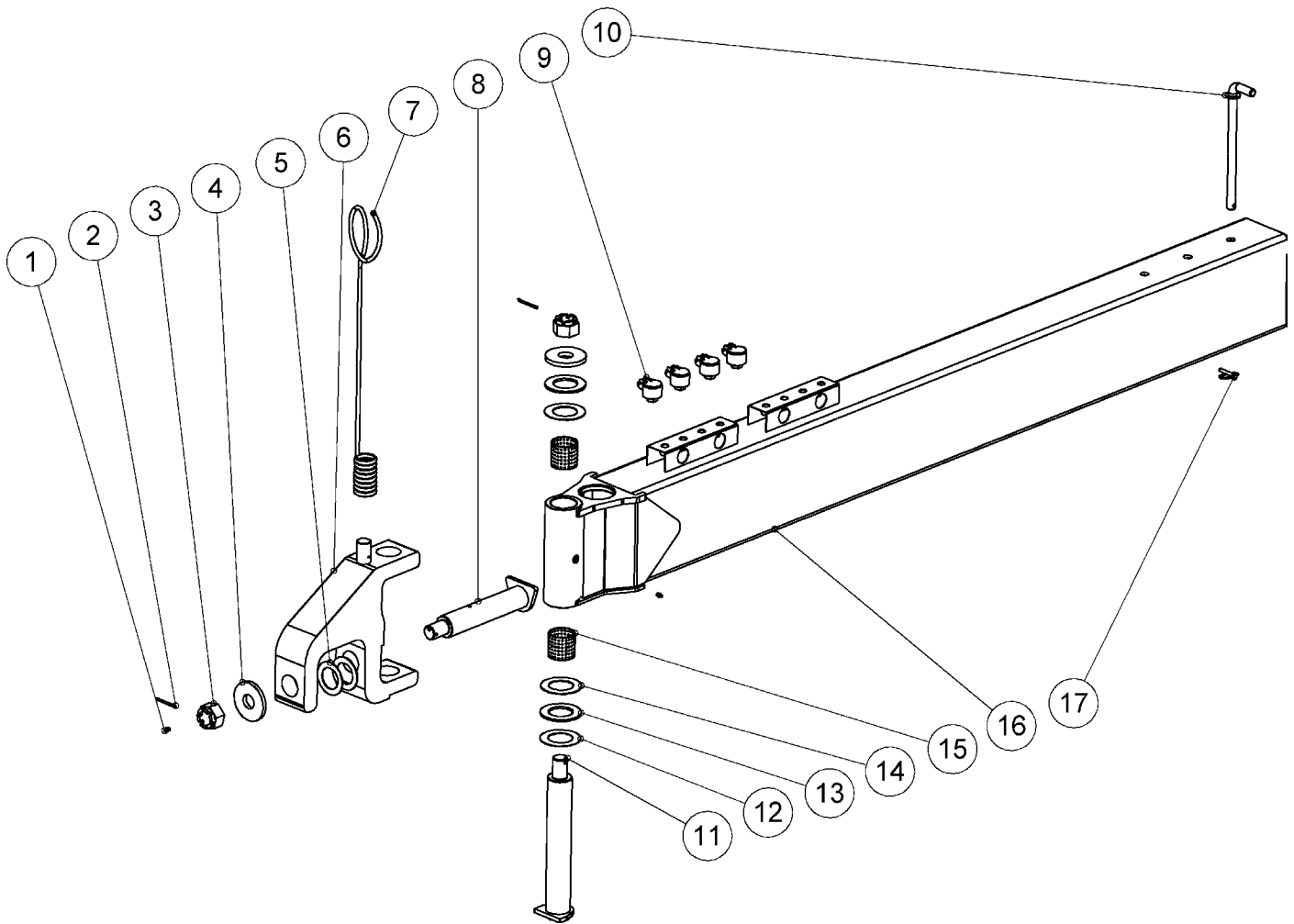
5.4 DRAW BOOM SMD, FOR TOW BAR



| OSA PART | KOODI CODE | NIMITYS | DESCRIPTION | LYHYT/ SHORT | KESKIPITKÄ/ MEDIUM | PITKÄ/ LONG |
|-------------|---------------|----------------------------|---------------|-----------------|-----------------------|----------------|
| 1 | 17605 | SEISONTAJALAN TAPPI 20MM | PIVOT | 1 | 1 | 1 |
| 2 | 26858 | HYDRAULILETKUN KANNATIN Ø9 | HOSE HOLDER | 1 | 1 | 1 |
| 3 | D24323 | LETKUN KIINNITIN AMA 15356 | HOSE FASTENER | 4 | 4 | 4 |
| 4 | 22248 | VETOAISA HITSATTU 3/4 MINI | DRAW BAR | 1 | | |
| | 20724 | VETOAISA HITSATTU 3/4 | DRAW BAR | | 1 | |
| | 20886 | VETOAISA HITSATTU 3/4 JUNA | DRAW BAR | | | 1 |
| 5 | BE8600002 | RENGAS-SOKKA 8X45 L=040 ZN | LINCHPIN | 2 | 2 | 2 |
| 6 | 20804 | VETOLAITTEEN TAPPI 2010 | PIVOT | 1 | 1 | 1 |
| 7 | 14506 | TUKIJALKA HITSATTU | SUPPORT BAR | 1 | 1 | 1 |

5.5 VETOAISA SMD, PAKKERILLE

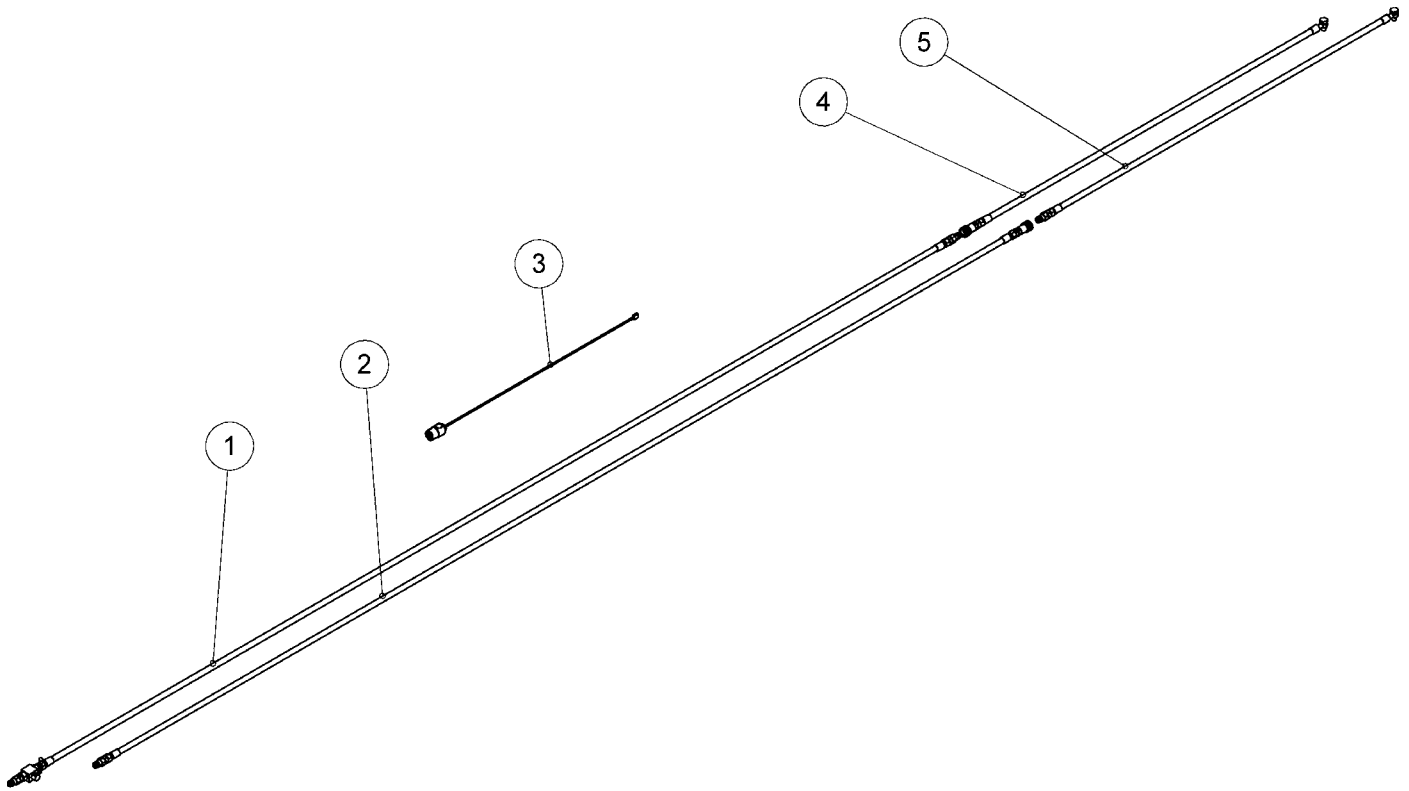
5.5 DRAW BOOM SMD, FOR PACKER



| OSA PART | KOODI CODE | NIMITYS | DESCRIPTION | LYHYT/ SHORT | KESKIPITKÄ/ MEDIUM | PITKÄ/ LONG |
|-------------|---------------|-----------------------------------|----------------|-----------------|-----------------------|----------------|
| 1 | BJ6500000 | RASVANIPPA M 8*1.25 N:O 507 | GREASE NIPPLE | 2 | 2 | 2 |
| 2 | BA5200004 | SAKSISOKKA 5X60 DIN94 ZN | SPLIT PIN | 2 | 2 | 2 |
| 3 | E73742 | KRUUNUMUTTERI M 36*1.5 DIN 935NUT | NUT | 2 | 2 | 2 |
| 4 | 867190P | ALUSLEVY 100/37-10 | WASHER | 2 | 2 | 2 |
| 5 | 14858 | PAINELAAKERI NIVELEEN | BEARING | 2 | 2 | 2 |
| 6 | 20811 | VETOPALA HITS | FASTENER PIECE | 1 | 1 | 1 |
| 7 | 26858 | HYDRAULILETKUN KANN. Ø9 | HOSE HOLDER | 1 | 1 | 1 |
| 8 | 20854 | VAAKATAPPI HITS | PIVOT | 1 | 1 | 1 |
| 9 | D24323 | LETKUN KIINNITIN AMA 15356 | HOSE FASTENER | 4 | 4 | 4 |
| 10 | 20804 | VETOLAITTEEN TAPPI 2010 | PIVOT | 1 | 1 | 1 |
| 11 | 21302 | PYSTYTAPPI | PIVOT | 1 | 1 | 1 |
| 12 | 18641 | VÄLIRENGAS 1.5 MM | WASHER | 1 | 1 | 1 |
| 13 | 18568 | VÄLIRENGAS 5MM | WASHER | 2 | 2 | 2 |
| 14 | CV0600705 | DYMET PAINELAAKERI 705-60 | BEARING | 2 | 2 | 2 |
| 15 | 127640P | LAAKERIHOLKKI 65/60 p6/B9...60 | BUSHING | 2 | 2 | 2 |
| 16 | 22249 | AISA PAKKERILLE HITS 2010 MINI | DRAW BAR | 1 | | |
| | 20809 | AISA PAKKERILLE HITS 2010 | DRAW BAR | | 1 | |
| | 20888 | AISA PAKKERILLE PITKÄ HITS 201 | DRAW BAR | | | 1 |
| 17 | BE8600002 | RENGAS-SOKKA 8X45 L=040 ZN | LINCHPIN | 1 | 1 | 1 |

5.6 VETOAIISOJEN LETKUTUKSET

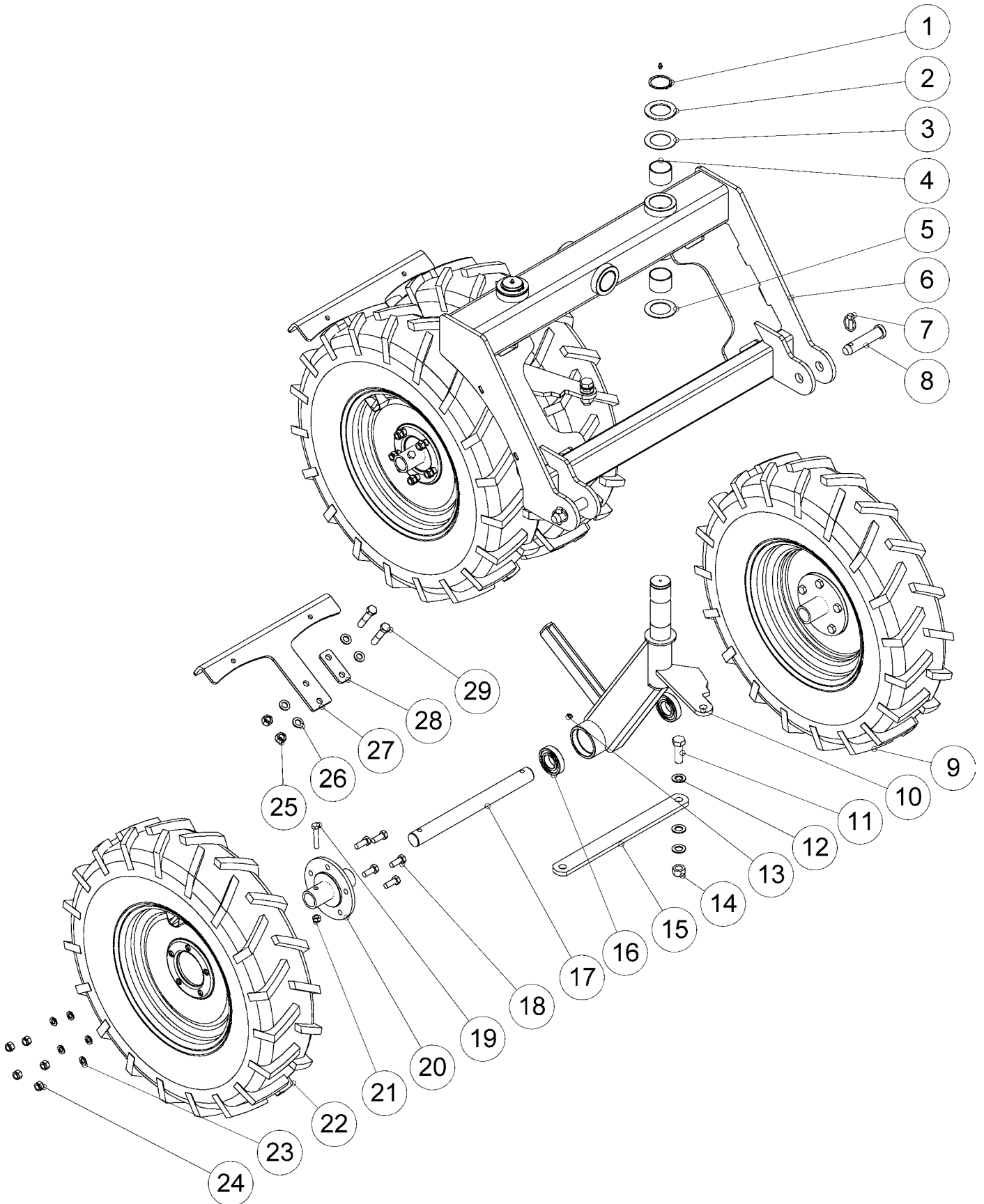
5.6 HOSES OF THE DRAW BOOMS



| OSA PART | KOODI CODE | NIMITYS | DESCRIPTION | KITA, KOUKKU/ MAW, TOW BAR | PAKKERI/ PACKER |
|-------------|---------------|--------------------------|-------------|-------------------------------------|--------------------|
| 1 | 33250 | HYDRAULILETKU NOSTO 4800 | HOSE 4800 | 1 | |
| | 33413 | HYDRAULILETKU NOSTO 6800 | HOSE 6800 | | 1 |
| 2 | 33249 | HYDRAULILETKU LASKU 4800 | HOSE 4800 | 1 | |
| | 33409 | HYDRAULILETKU LASKU 6800 | HOSE 6800 | | 1 |
| 3 | CP44882 | PÄÄJOHTO L=6,0 m | WIRE 6000 | 1 | |
| | CP44880 | PÄÄJOHTO L=8,0 m | WIRE 8000 | | 1 |
| 4 | 33408 | HYDRAULILETKU ETUMM. | HOSE, FRONT | 1 | 1 |
| 5 | 33407 | HYDRAULILETKU TAKIMM. | HOSE, REAR | 1 | 1 |

5.7 PAKKERI PIENI SMD

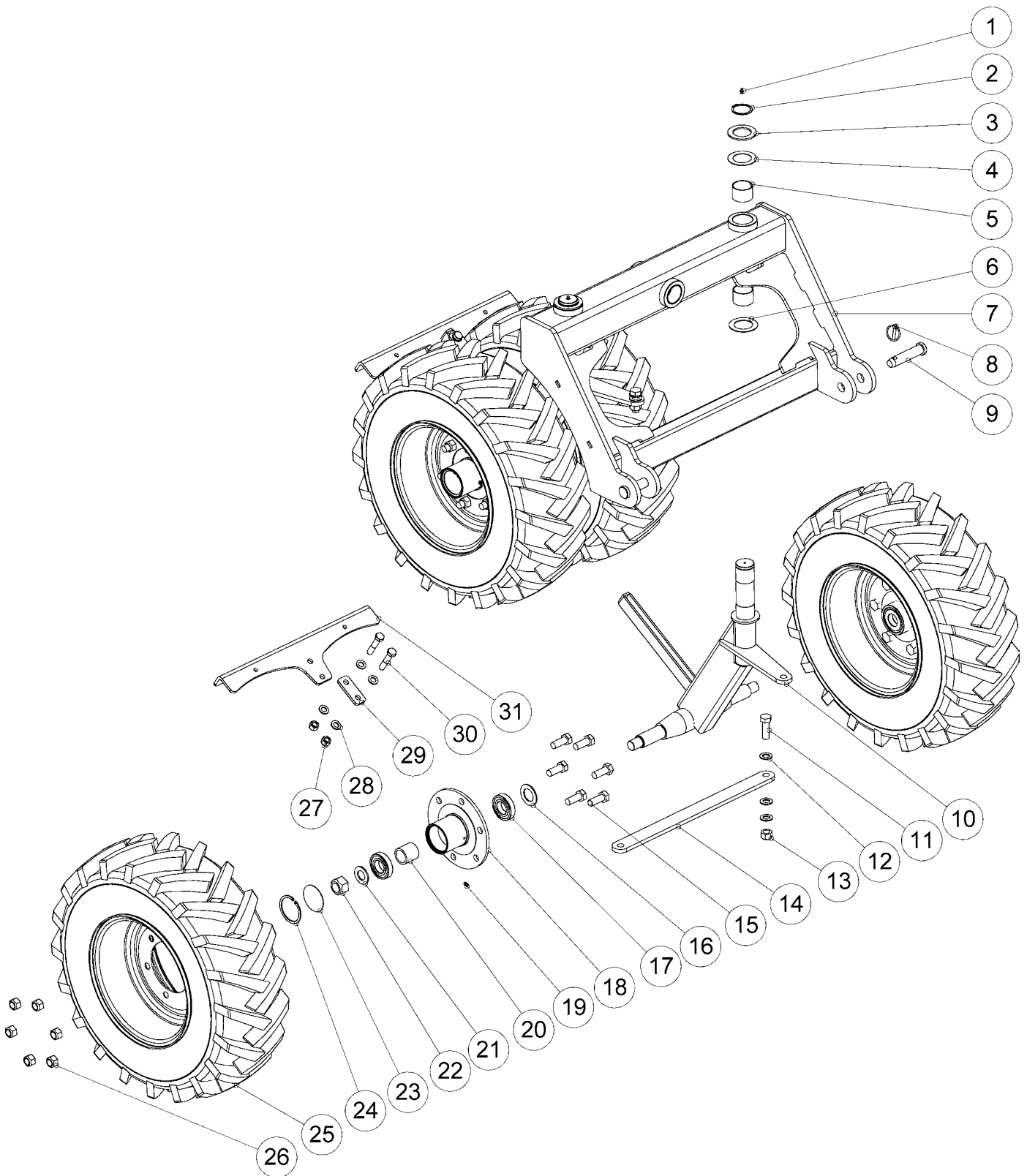
5.7 PACKER SMALL SMD



| OSA PART | KOODI CODE | NIMITYS | DESCRIPTION | KPL/PCS |
|----------|------------|----------------------------------|--------------------|---------|
| 1 | BH1S20021 | SEGER-RENG AKS 55X2 471 | CIRCLIP | 2 |
| 2 | 14846 | ALUSLEVY OLKATAPPIIN | WASHER | 2 |
| 3 | 14846A | ALUSLEVY 1.5 OLKATAPPIIN | WASHER | 2 |
| 4 | CV0556040 | DYMET LAAKERI 55/60/40 | BEARING | 6 |
| 5 | 14858 | PAINELAAKERI NIVELEEN | BEARING | 2 |
| 6 | 33727 | VETOR. PAKKERIIN 7.5X16 PYÖRILLE | FRAME | 1 |
| 7 | BEC000002 | RENGAS-SOKKA 10X40 L=40 ZN | LINCHPIN | 2 |
| 8 | 14861 | NOSTOVARREN TAPPI | PIVOT | 2 |
| 9 | D18355 | RENGAS KOOTTU 18355 MAESTRO | WHEEL | 2 |
| 10 | 16501 | TUKIVARSI PYÖRÄÄN HITS.VAS | SUPPORT BAR, LEFT | 1 |
| | 14838 | TUKIVARSI PYÖRÄÄN HITS.OIK. | SUPPORT BAR, RIGHT | 1 |
| 11 | A0L201524 | 6-RUUVI M20X60 8.8 DIN933 ZN | SCREW | 2 |
| 12 | B5L173024 | ALUSLAATTA M20 DIN125A ZN | WASHER | 6 |
| 13 | BJ6500000 | RASVANIPPA M 8*1.25 N:O 507 | GREADE NIPPLE | 4 |
| 14 | A51902 | 6-MUTT.II M20*1.5 DIN960 ZN | NUT | 2 |
| 15 | 14723 | RAIDETANKO | TIE ROD | 1 |
| 16 | CE6208RS1 | KUULALAAKERI 6208 RS 1 | BEARING | 4 |
| 17 | 14718 | PYÖRÄN AKSELI | SHAFT | 2 |
| 18 | A0E151514 | 6-RUUVI M14X35 8.8 DIN933 ZN | SCREW | 20 |
| 19 | A0C251514 | 6-RUUVI M12X65 8.8 DIN931 ZN | SCREW | 4 |
| 20 | 33414 | NAPA HITS. 5-REIK. | HUB | 4 |
| 21 | AGC113014 | 6-MUTTERI II M12 DIN985-8 ZN | NUT | 4 |
| 22 | 18358 | RENGAS 7.5x16 KOOTTU VASEN | WHEEL, LEFT | 2 |
| 23 | B61255 | JOUSIALUSL.M14 DIN127B ZN | SPRING WASHER | 20 |
| 24 | AGE113014 | 6-MUTTERI II M14 DIN 985 ZN | NUT | 20 |
| 25 | AGG113014 | 6-MUTTERI II M16 DIN985-8 ZN | NUT | 4 |
| 26 | B5G102524 | ALUSLAATTA M16 DIN125A ZN | WASHER | 8 |
| 27 | 33415 | PAKKERIN RAAPIJA | SCRAPER | 2 |
| 28 | 32467 | ALUSLEVY | WASHER | 2 |
| 29 | A0G2L1514 | 6-RUUVI M16X80 8.8 DIN931 ZN | SCREW | 4 |

5.8 PAKKERI ISO SMD

5.8 PACKER BIG SMD



| OSA PART | KOODI CODE | NIMITYS | DESCRIPTION | KPL/PCS |
|----------|------------|---|--------------------|---------|
| 1 | BJ6500000 | RASVANIPPA M 8*1.25 N:O 507 | GREASE NIPPLE | 2 |
| 2 | BH1S20021 | SEGER-RENG AKS 55X2 471 | CIRCLIP | 2 |
| 3 | 14846 | ALUSLEVY OLKATAPPIIN | WASHER | 2 |
| 4 | 14846A | ALUSLEVY 1.5 OLKATAPPIIN | WASHER | 2 |
| 5 | CV0556040 | DYMET LAAKERI 55/60/40 | BEARING | 6 |
| 6 | 14858 | PAINELAAKERI NIVELEEN | BEARING | 2 |
| 7 | 32494 | VETORUNKO PAKKERIIN | FRAME | 1 |
| 8 | BE8600002 | RENGAS-SOKKA 8X45 L=040 ZN | LINCHPIN | 2 |
| 9 | 14861 | NOSTOVARREN TAPPI | PIVOT | 2 |
| 10 | 32506 | PYÖRIEN KÄSIVARSI VASEN HITS. | SUPPORT BAR, RIGHT | 1 |
| | 32509 | PYÖRIEN KÄSIVARSI OIKEA HITS. | SUPPORT BAR, RIGHT | 1 |
| 11 | A0L201524 | 6-RUUVI M20X60 8.8 DIN933 ZN | SCREW | 2 |
| 12 | B5L173024 | ALUSLAATTA M20 DIN125A ZN | WASHER | 6 |
| 13 | A51902 | 6-MUTT.II M20*1.5 DIN960 ZN | NUT | 2 |
| 14 | 16068 | RAIDETANKO | TIE ROD | 1 |
| 15 | A0L1F1214 | 6-RUUVI M20X1.5X50 8.8 DIN961ZN | SCREW | 20 |
| 16 | 16059 | SUOJAPRIKKA | WASHER | 4 |
| 17 | CE62082RS | KUULALAAKERI 6208 2 RS | BEARING | 8 |
| 18 | 32462 | NAPA HITS. | HUB | 4 |
| 19 | BJ6510001 | RASVANIPPA M 8*1.25/45AST514 | GREASE NIPPLE | 4 |
| 20 | 32468 | VÄLIHOLKKI | BUSHING | 4 |
| 21 | B61850 | ALUSLAATTA M30 DIN125A ZNC | WASHER | 4 |
| 22 | A51970 | 6-MUTTERI II M30X3.5 DIN985-8NM30 ZN | NUT | 4 |
| 23 | 32464 | SUOJALEVY | COVER PLATE | 4 |
| 24 | BH3030085 | SEGER-RENG REI 85X3472 | CIRCLIP | 4 |
| 25 | D30011 | 10.0/75-15.3 10PR TL AS-504 | WHEEL | 4 |
| 26 | A51900 | 6-MUTTERI M20X1.5 DIN934-8 ZN | NUT | 20 |
| 27 | AGG113014 | 6-MUTTERI II M16 DIN985-8 ZN | NUT | 4 |
| 28 | B5G102524 | ALUSLAATTA M16 DIN125A ZN | WASHER | 8 |
| 29 | 32467 | ALUSLEVY | WASHER | 2 |
| 30 | A0G2L1514 | 6-RUUVI M16X80 8.8 DIN931 ZN | SCREW | 4 |

6 LISÄVARUSTEET

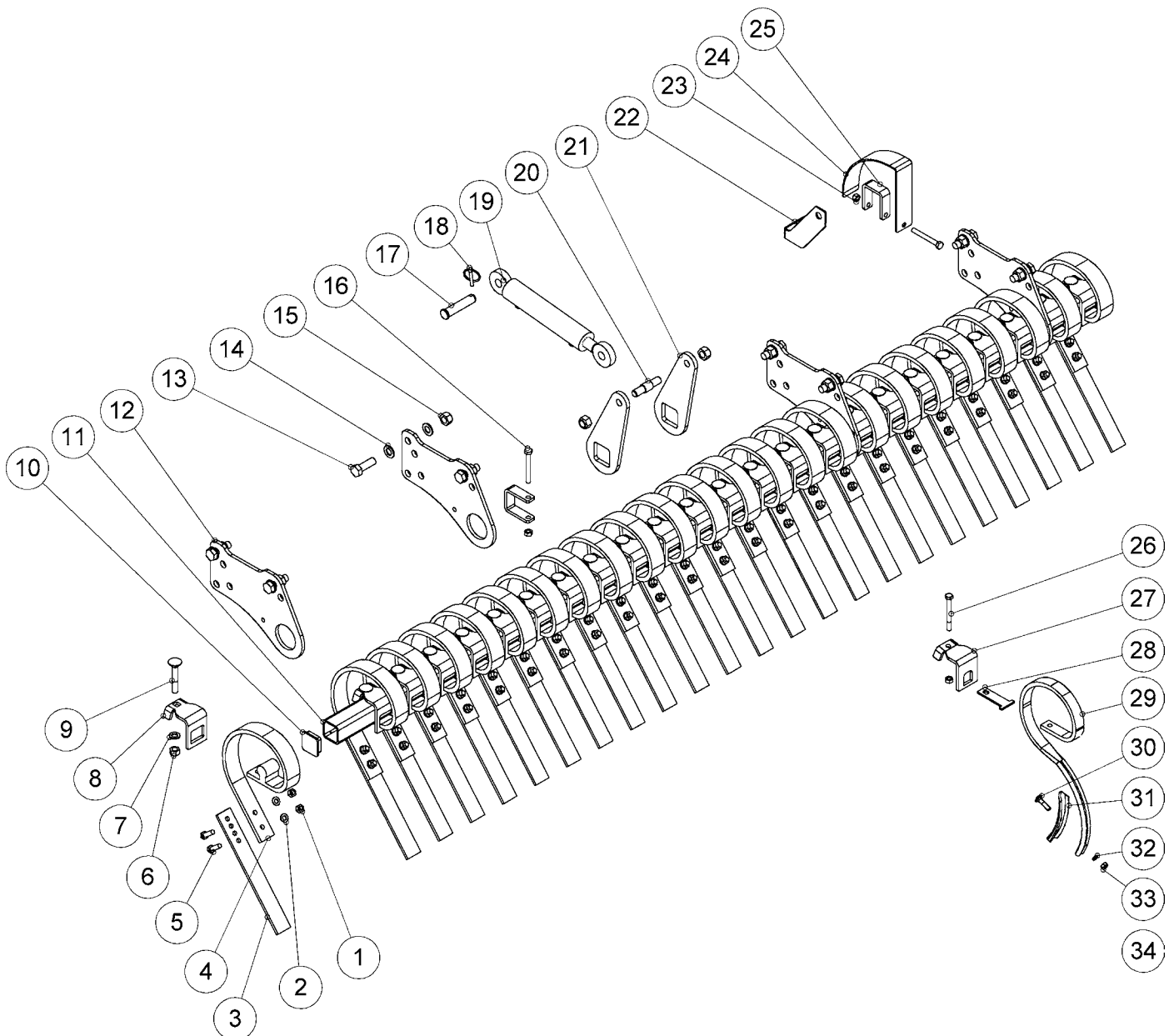
6 ACCESSORIES

6.1 ETULATA SMD, 1-RIVINEN

S-PIIKKIMUOKKAIN MD, 1-RIVINEN

6.1 FRONT LEVELLER SMD, 1-ROW

S-TINE MD, 1-ROW



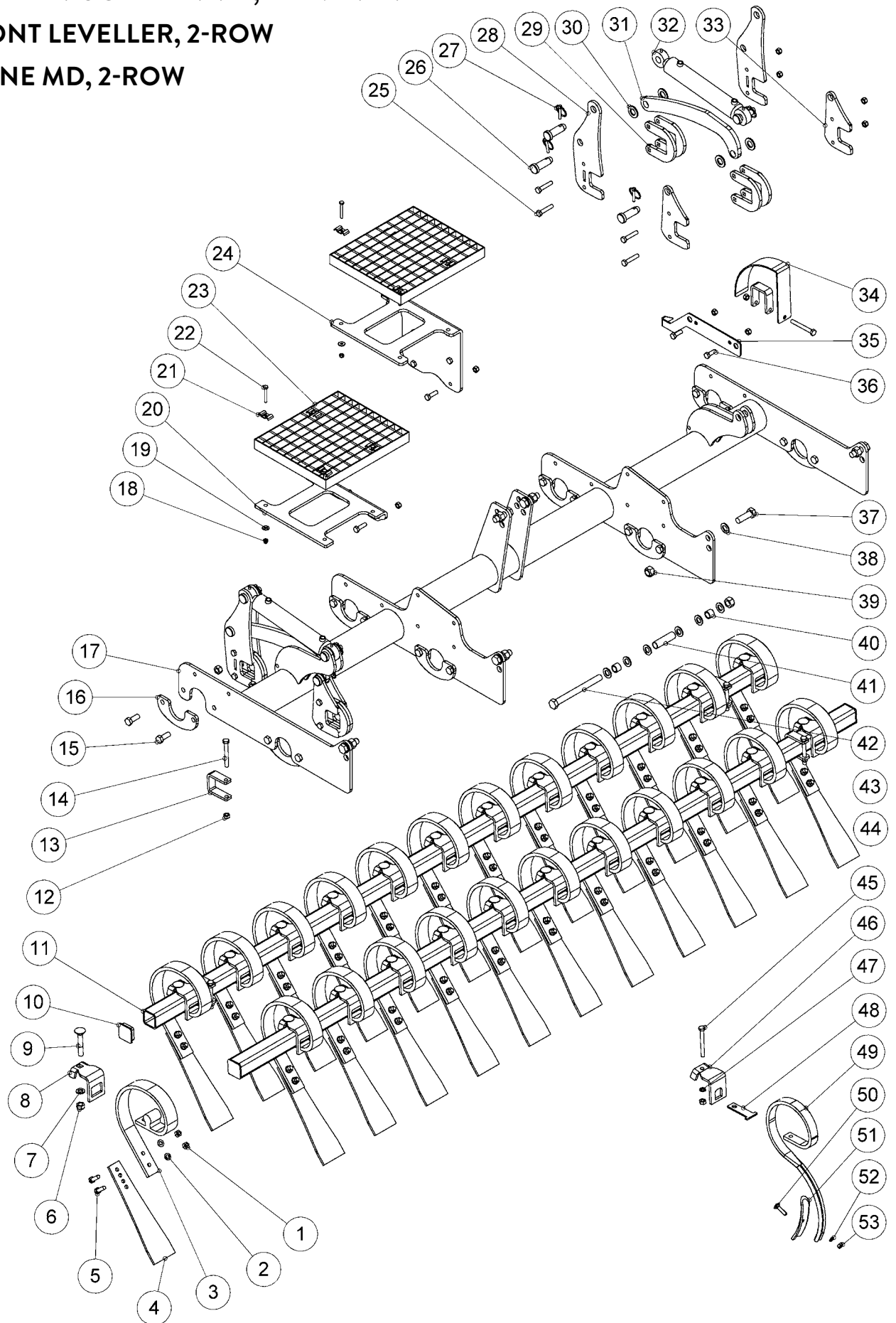
| OSA PART | KOODI CODE | NIMITYS | DESCRIPTION | SMD300 ETULATA FRONT HARROW | SMD400 ETULATA FRONT HARROW | MD300 S-PIIKKI S-TINE | MD400 S-PIIKKI S-TINE |
|-------------|---------------|---------------------------------|------------------|--------------------------------------|--------------------------------------|-----------------------------|-----------------------------|
| 1 | AGC111014 | 6-MUTTERI M12 DIN934-8 ZN | NUT | 50 | 2 | 26 | 34 |
| 2 | B5C0R2024 | ALUSLAATTA M12 DIN125A ZN | WASHER | 48 | 64 | | |
| 3 | 33499 | ETULATAN LATA KAPEA | HARROW | 24 | 32 | | |
| 4 | 33498 | JOUSI SMD ETULATA | SPRING | 24 | 32 | | |
| 5 | A0C1A1014 | 6-RUUVI M12X40 8.8 DIN933 ZN | SCREW | 48 | 64 | | |
| 6 | AGG113014 | 6-MUTTERI II M16 DIN985-8 ZN | NUT | 24 | 32 | | |
| 7 | B5G102524 | ALUSLAATTA M16 DIN125A ZN | WASHER | 24 | 32 | | |
| 8 | 33521 | JOUSEN KIINN. SMD ETUL. | SPRING HOLDER | 24 | 32 | | |
| 9 | A0G2F5015 | LUKKORUUVI M16x100 | SCREW | 24 | 32 | | |
| 10 | D60605 | SISÄTULPPA 60*60*5 | PLUG | 2 | 2 | 2 | 2 |
| 11 | 17284 | PALKKI RUNKOON | BAR | 1 | | 1 | |
| | 18073 | KIINNITYSPALKKI 4000 | BAR | | 1 | | 1 |
| 12 | 32619 | KIINN.LEVY VETOL. LOVETTU | FASTENER PLATE | 4 | 4 | 4 | 4 |
| 13 | A0L201524 | 6-RUUVI M20X60 8.8 DIN933 ZN | SCREW | 8 | 8 | 8 | 8 |
| 14 | B5L173024 | ALUSLAATTA M20 DIN125A ZN | WASHER | 16 | 16 | 16 | 16 |
| 15 | AGL113014 | 6-MUTTERI II M20 DIN985-8 ZN | NUT | 10 | 10 | 10 | 10 |
| 16 | A0C3A1014 | 6-RUUVI M12X100 8.8 DIN931ZN | SCREW | 3 | 3 | 3 | 3 |
| 17 | 17757 | TAPPI SYLINTERILLE YKS. LATAAN | PIVOT | 1 | 1 | 1 | 1 |
| 18 | BE8600002 | RENGAS-SOKKA 8X45 L=040 ZN | LINCHPIN | 1 | 1 | 1 | 1 |
| 19 | D56044 | HYD.SYL.NTS4-50/30*200-2B25/3/ | CYLINDER | 1 | 1 | 1 | 1 |
| 20 | 17519 | TAPPI LATAAN | PIVOT | 1 | 1 | 1 | 1 |
| 21 | 33047 | VIPUVARSI | ARM | 2 | 2 | 2 | 2 |
| 22 | 18111 | VIISARI LATALLE | POINTER | 1 | 1 | 1 | 1 |
| 23 | AGC113014 | 6-MUTTERI II M12 DIN985-8 ZN | NUT | 1 | 1 | 1 | 1 |
| 24 | 18115 | KAARI VIISARILLE | CURVE | 1 | 1 | 1 | 1 |
| 25 | 17640 | LUKITUSLAPPU | LOCK PLATE | 3 | 3 | 3 | 3 |
| 26 | A0C3L1514 | 6-RUUVI M12X110 8.8 DIN 931ZN | SCREW | | | 24 | 32 |
| 27 | 18425 | JOUSEN KIINNITIN | SPRING HOLDER | | | 24 | 32 |
| 28 | 18426 | LEVY JOUSENKIINNITIMEEN | PLATE FOR SPRING | | | 24 | 32 |
| 29 | D30000480 | LANN.VANT.JOUSI M-83 /1.101159 | SPRING | | | 24 | 32 |
| 30 | A0A1AG511 | KÄRKILAPON LUKKOR M10*45 MUS | SCREW | | | 24 | 32 |
| 31 | D30000520 | LANN VANT KÄRKI M-83 TEK-22 | HEAD | | | 24 | 32 |
| 32 | B5A0H2214 | JOUSIALUSL. M10 DIN127B ZN | SPRING WASHER | | | 24 | 32 |
| 33 | AGA111014 | 6-MUTTERI M10 DIN934-8 ZN | NUT | | | 24 | 32 |
| 34 | 17909 | LETKU 1-RIV. LATALLE | HOSE | 2 | 2 | 2 | 2 |

6.2 ETULATA MD, 2-RIVINEN

S-PIIKKIMUOKKAIN MD, 2-RIVINEN

6.2 FRONT LEVELLER, 2-ROW

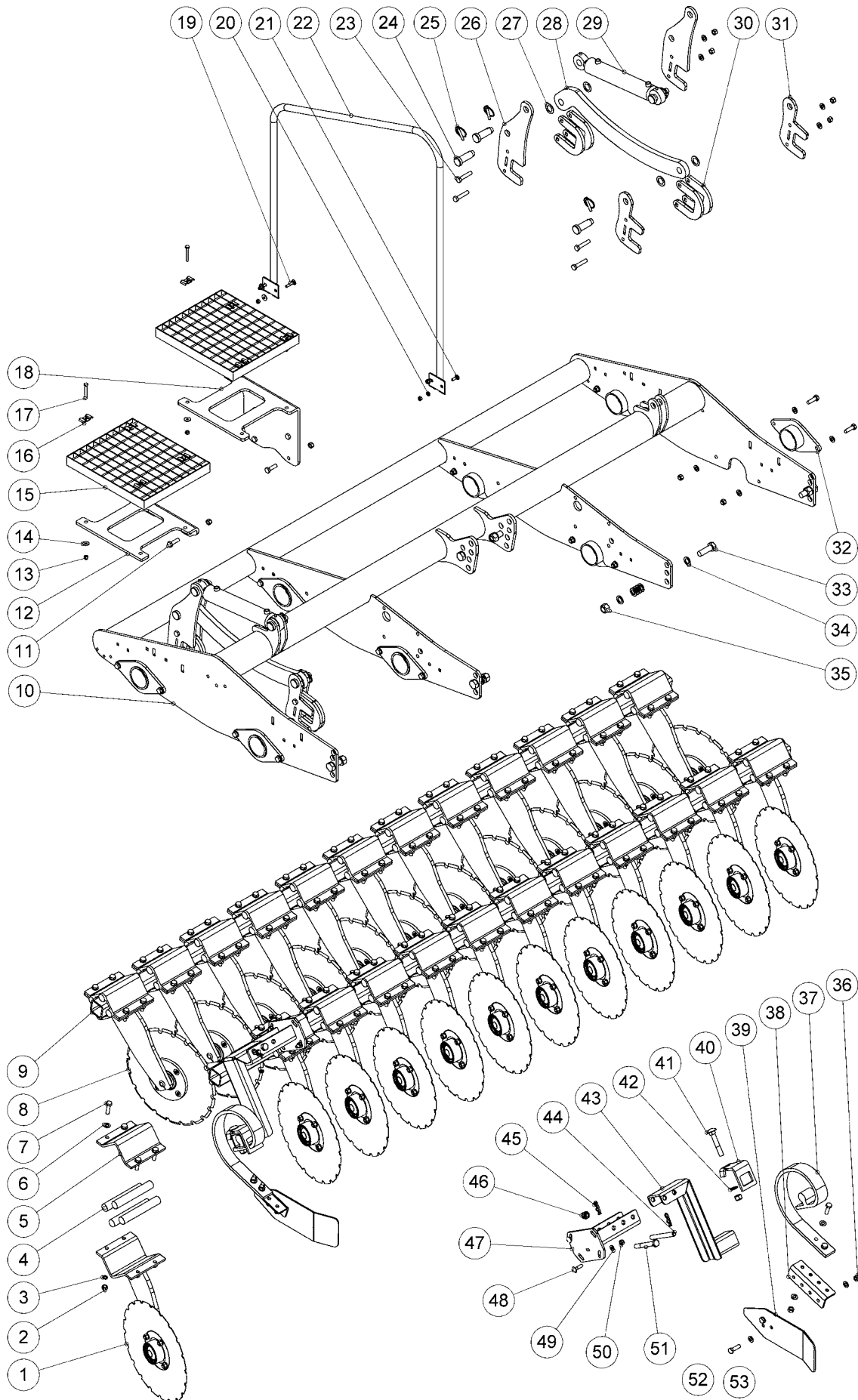
S-TINE MD, 2-ROW



| OSA PART | KOODI CODE | NIMITYS | DESCRIPTION | MD300 | MD400 | MD300 | MD400 |
|----------|------------|--------------------------------|------------------|----------------------|----------------------|-----------------|-----------------|
| | | | | ETULATA FRONT HARROW | ETULATA FRONT HARROW | S-PIIKKI S-TINE | S-PIIKKI S-TINE |
| 1 | AGC111014 | 6-MUTTERI M12 DIN934-8 ZN | NUT | 48 | 64 | 24 | 32 |
| 2 | B5C0R2024 | ALUSLAATTA M12 DIN125A ZN | WASHER | 48 | 64 | | |
| 3 | 33498 | JOUSI SMD ETULATA | SPRING | 24 | 32 | | |
| 4 | 33526 | ETULATAN LATA LEVEÄ | HARROW | 24 | 32 | | |
| 5 | A0C1A1014 | 6-RUUVI M12X40 8.8 DIN933 ZN | SCREW | 6 | 6 | 6 | 6 |
| 6 | AGG113014 | 6-MUTTERI II M16 DIN985-8 ZN | NUT | 41 | 48 | 16 | 16 |
| 7 | B5G102524 | ALUSLAATTA M16 DIN125A ZN | WASHER | 24 | 32 | | |
| 8 | 33521 | JOUSEN KIINN. SMD ETULATA | SPRING HOLDER | 24 | 32 | | |
| 9 | A0G2F5015 | LUKKORUUVI M16x100 | SCREW | 24 | 32 | | |
| 10 | D60605 | SISÄTULPPA 60*60*5 | PLUG | 4 | 4 | 4 | 4 |
| 11 | 17284 | PALKKI RUNKOON | BAR | 2 | | 2 | |
| | 18073 | KIINNITYSPALKKI 4000 | BAR | | 2 | | 2 |
| 12 | AGC113014 | 6-MUTTERI II M12 DIN985-8 ZN | NUT | 29 | 29 | 20 | 20 |
| 13 | 17640 | LUKITUSLAPPU | LOCK PLATE | 5 | 5 | 5 | 5 |
| 14 | A0C3A1014 | 6-RUUVI M12X100 8.8 DIN931ZN | SCREW | 5 | 5 | 5 | 5 |
| 15 | A0G1A1514 | 6-RUUVI M16X40 8.8 DIN933 ZN | SCREW | 16 | 16 | 16 | 16 |
| 16 | 32604 | U-HAHLO LATAN AKS. KIINN. | U-PLATE | 8 | 8 | 8 | 8 |
| 17 | 32596 | RUNKO KAKSOISLATA 300 | FRAME | 1 | | 1 | |
| | 33193 | RUNKO KAKSOISLATA 400 | FRAME | | 1 | | 1 |
| 18 | AG8113014 | 6-MUTTERI II M 8 DIN985-8 ZN | NUT | 8 | 8 | 8 | 8 |
| 19 | B580N1524 | KORILAATTA M 8 DIN9021B ZN | WASHER | 8 | 8 | 8 | 8 |
| 20 | 32606 | ALA-ASTIMEN PETI | STEP COUNTERPART | 1 | 1 | 1 | 1 |
| 21 | 31175 | KIINNIKE | HOLDER | 8 | 8 | 8 | 8 |
| 22 | A05960 | 6-RUUVI M8X60 8.8 DIN 931 ZN | SCREW | 8 | 8 | 8 | 8 |
| 23 | 32605 | TASORITILÄ LATALLE | GRILL | 2 | 2 | 2 | 2 |
| 24 | 32607 | TOISEN ASKELMAN PETI | STEP COUNTERPART | 1 | 1 | 1 | 1 |
| 25 | A0C201514 | 6-RUUVI M12X60 8.8 DIN931 ZN | SCREW | 8 | 8 | 8 | 8 |
| 26 | D14446 | SYLINTERIN TAPPI 14446 | PIVOT | 8 | 8 | 8 | 8 |
| 27 | BE8600002 | RENGAS-SOKKA 8X45 L=040 ZN | LINCHPIN | 8 | 8 | 8 | 8 |
| 28 | 22786 | KIINNITYSOSA ETEEN PITKÄ | FASTENER, FRONT | 4 | 4 | 4 | 4 |
| 29 | 22193 | KIINNITYSOSA TAAKSE | FASTENER, REAR | 8 | 8 | 8 | 8 |
| 30 | B5R1F4024 | ALUSLAATTA M24 DIN125A ZN | WASHER | 8 | 8 | 8 | 8 |
| 31 | 32599 | REAKTIOTANKO | REACTIONBAR | 2 | 2 | 2 | 2 |
| 32 | D56044 | HYD.SYL.NTS4-50/30*200-2B25/3/ | CYLINDER | 2 | 2 | 2 | 2 |
| 33 | 32597 | KIINNITYSOSA TAAKSE | FASTENER, REAR | 4 | 4 | 4 | 4 |
| 34 | 18115 | KAARI VIISARILLE | CURVE | 1 | 1 | 1 | 1 |
| 35 | 18109 | VIISARI MUOKKAIMILLE | POINTER | 1 | 1 | 1 | 1 |
| 36 | A0C151514 | 6-RUUVI M12X35 8.8 DIN933 ZN | SCREW | 2 | 2 | 2 | 2 |
| 37 | A0L201524 | 6-RUUVI M20X60 8.8 DIN933 ZN | SCREW | 6 | 4 | 6 | 4 |
| 38 | B5L173024 | ALUSLAATTA M20 DIN125A ZN | WASHER | 6 | 14 | 6 | 14 |
| 39 | AGL113014 | 6-MUTTERI II M20 DIN985-8 ZN | NUT | 6 | 5 | 6 | 5 |
| 40 | 17743 | VÄLIHOLKKI | BUSHING | | 2 | | 2 |
| 41 | 17657 | VÄLIHOLKKI SÄÄTÖTANKOIHIN | BUSHING | | 1 | | 1 |
| 42 | A0L7L1514 | 6-RUUVI M20X220 931 ZN | SCREW | | 1 | | 1 |
| 43 | D14441 | HYD.LETKU SYLINT.L1180 3-14441 | HOSE | 4 | 4 | 4 | 4 |
| 44 | D15312 | HYD.LETKU SYLINT.L4600 3-15312 | HOSE | 2 | 2 | 2 | 2 |
| 45 | A0C3L1514 | 6-RUUVI M12X110 8.8 DIN 931ZN | SCREW | | | 24 | 32 |
| 46 | 18425 | JOUSEN KIINNITIN | SPRING HOLDER | | | 24 | 32 |
| 47 | B5C0M2514 | JOUSIALUSL.M12 DIN127B ZN | SPRING WASEHR | | | 24 | 32 |
| 48 | 18426 | LEVY JOUSENKIINNITTIMEEN | PLATE | | | 24 | 32 |
| 49 | D30000480 | LÄNN.VANT.JOUSI M-83 /1.101159 | SPRING | | | 24 | 32 |
| 50 | A0A1AG511 | KÄRKILAPON LUKKOR M10*45 MUS | SCREW | | | 24 | 32 |
| 51 | D30000520 | LANN VANT KÄRKI M-83 TEK-22 | HEAD | | | 24 | 32 |
| 52 | B5A0H2214 | JOUSIALUSL.M10 DIN127B ZN | SPRING WASHER | | | 24 | 32 |
| 53 | AGA111014 | 6-MUTTERI M10 DIN934-8 ZN | NUT | | | 24 | 32 |

6.3 KIEKKOMUOKKAIN MD

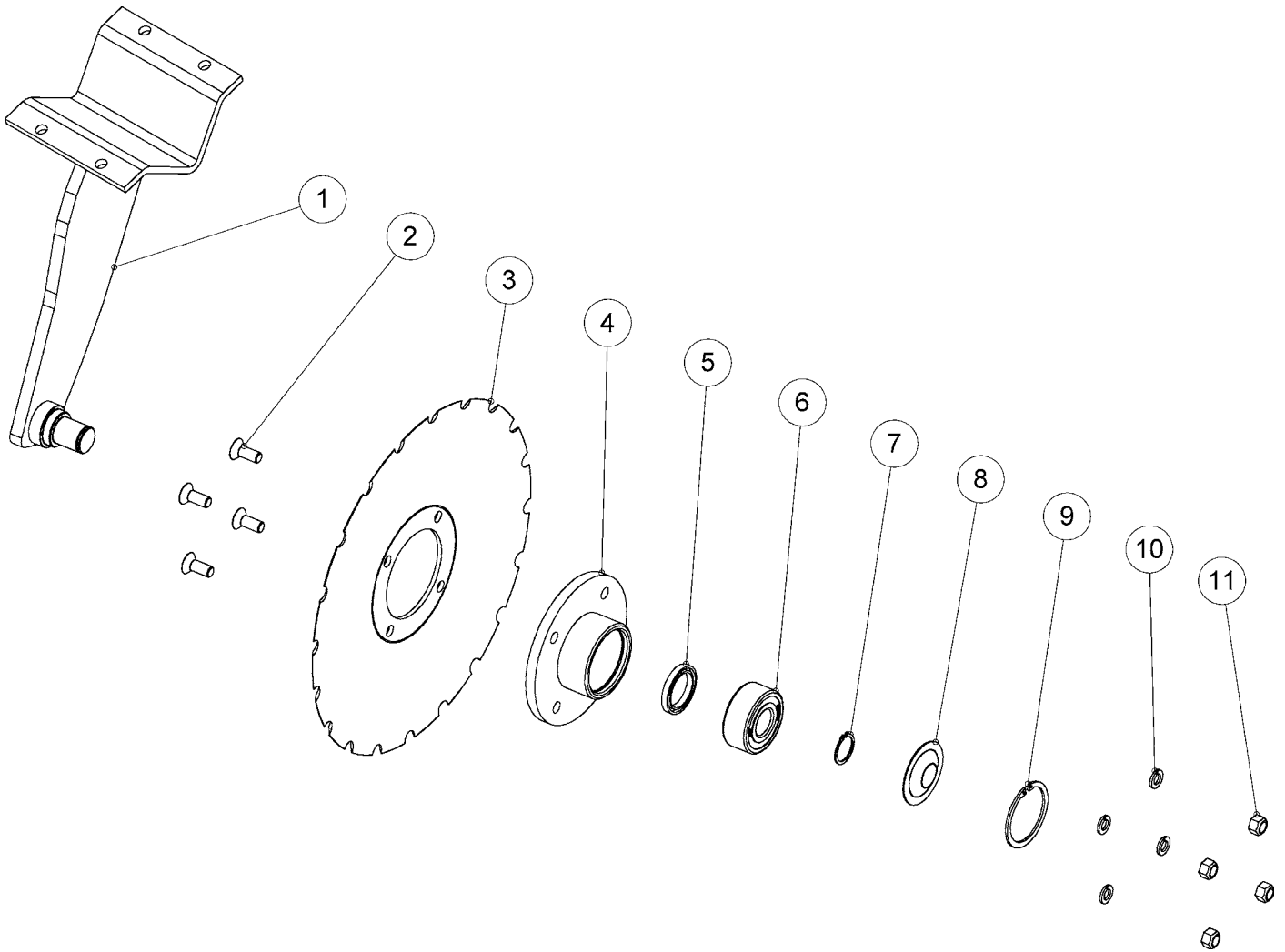
6.3 DISC CULTIVATOR MD



| OSA PART | KOODI CODE | NIMITYS | DESCRIPTION | MD300 | MD400 |
|----------|------------|--------------------------------|------------------|-------|-------|
| 1 | 22934 | MUOKKARIKIEKKO TAKIMM. | CULTIVATOR DISC | 12 | 16 |
| 2 | AGC113014 | 6-MUTTERI II M12 DIN985-8 ZN | NUT | 129 | 157 |
| 3 | B5C0M2514 | JOUSIALUSL.M12 DIN127B ZN | SPRING WASHER | 101 | 128 |
| 4 | 22307 | KUMIPATUKKA | RUBBER STICK | 96 | 128 |
| 5 | 22197 | KIINNITIN MAALATTU | HOLDER | 24 | 32 |
| 6 | B5C0R2024 | ALUSLAATTA M12 DIN125A ZN | WASHER | 154 | 184 |
| 7 | A0C1F1024 | 6-RUUVI M12X45 8.8 DIN933 ZN | SCREW | 96 | 128 |
| 8 | 22935 | MUOKKARIKIEKKO ETUMM. | CULTIVATOR DISC | 12 | 16 |
| 9 | 17284 | PALKKI RUNKOON | BAR | 2 | |
| | 18073 | KIINNITYSPALKKI 4000 | BAR | | 2 |
| 10 | 31675 | KUMIMUOKKAIMEN RUNKO 3M HITS. | FRAME | 1 | |
| | 33044 | KUMIMUOKKAIMEN RUNKO 4M HITS. | FRAME | | 1 |
| 11 | A0C1A1014 | 6-RUUVI M12X40 8.8 DIN933 ZN | SCREW | 29 | 29 |
| 12 | 32606 | ALA-ASTIMEN PETI | STEP COUNTERPART | 1 | 1 |
| 13 | AG8113014 | 6-MUTTERI II M 8 DIN985-8 ZN | NUT | 12 | 12 |
| 14 | B580N1524 | KORILAATTA M 8 DIN9021B ZN | WASHER | 10 | 10 |
| 15 | 32605 | TASORITILÄ LATALLE | GRILL | 2 | 2 |
| 16 | 31175 | KIINNIKE | HOLDER | 8 | 8 |
| 17 | A05960 | 6-RUUVI M8X60 8.8 DIN 931 ZN | SCREW | 8 | 8 |
| 18 | 32607 | TOISEN AKELMAN PETI | STEP COUNTERPART | 1 | 1 |
| 19 | A081A3014 | LUKKOR. M8X40 4.6 DIN 603 ZN | SCREW | 2 | 2 |
| 20 | B580H1624 | ALUSLAATTA M 8 DIN125A ZN | WASHER | 2 | 2 |
| 21 | A080S3014 | LUKKOR. M8X25 4.6 DIN 603 ZN | SCREW | 2 | 2 |
| 22 | 22308 | KAIDE | HANDRAIL | 1 | 1 |
| 23 | A09765 | 6-RUUVI M12X70 10.9 DIN931ZNC | SCREW | 8 | 8 |
| 24 | D14446 | SYLINTERIN TAPPI 14446 | PIVIOT | 8 | 8 |
| 25 | BE8600002 | RENGAS-SOKKA 8X45 L=040 ZN | LINCHPIN | 8 | 8 |
| 26 | 22786 | KIINNITYSOSA ETEEN PITKÄ | FASTENER, FRONT | 4 | 4 |
| 27 | 33239 | ALUSLEVY 26/40 X 2 | WASHER | 8 | 8 |
| 28 | 32608 | REAKTIOLEVY | REACTION PLATE | 2 | 2 |
| 29 | D56044 | HYD.SYL.NTS4-50/30*200-2B25/3/ | CYLINDER | 2 | 2 |
| 30 | 22193 | KIINNITYSOSA TAAKSE | FASTENER, REAR | 8 | 8 |
| 31 | 22771 | KIINNITYSOSA ETEEN | FASTENER, FRONT | 4 | 4 |
| 32 | 22189 | TUKILAAKERI | BEARING | 8 | 8 |
| 33 | A0L201524 | 6-RUUVI M20X60 8.8 DIN933 ZN | SCREW | 6 | 6 |
| 34 | B5L173024 | ALUSLAATTA M20 DIN125A ZN | WASHER | 20 | 20 |
| 35 | AGL113014 | 6-MUTTERI II M20 DIN985-8 ZN | NUT | 6 | 6 |
| 36 | AGC111014 | 6-MUTTERI M12 DIN934-8 ZN | NUT | 8 | 8 |
| 37 | 33498 | JOUSI SMD ETULATA | SPRING | 2 | 2 |
| 38 | 33625 | KIINNITYSOSA SUISTAJAAN | FASTENER | 2 | 2 |
| 39 | 33626 | LEVY SUISTAJAAN | PLATE | 2 | 2 |
| 40 | 33521 | JOUSEN KIINNITIN SMD ETULATA | SPRING HOLDER | 2 | 2 |
| 41 | A0G401513 | 6-RUUVI M16X110 8.8 DIN931ZN | SCREW | 2 | 2 |
| 42 | B5G102524 | ALUSLAATTA M16 DIN125A ZN | WASHER | 2 | 2 |
| 43 | 33546 | VARSII HITS. | ARM | 2 | 2 |
| 44 | 44064 | SARANA TAPPI | PIVOT | 2 | 2 |
| 45 | BD3011404 | NEULASOKKA 4Mm DIN11024 ZN | COTTER PIN | 4 | 4 |
| 46 | AGG113014 | 6-MUTTERI II M16 DIN985-8 ZN | NUT | 2 | 2 |
| 47 | 33543 | RUNKOKAPPALE | FRAME | 2 | 2 |
| 48 | A0A1A3014 | LUKKOR.M10X40 4.6 DIN 603 ZN | SCREW | 4 | 4 |
| 49 | B5A0MB024 | ALUSLAATTA M10 DIN125A ZN | WASHER | 4 | 4 |
| 50 | AGA113014 | 6-MUTTERI II M10 DIN985-8 ZN | NUT | 4 | 4 |
| 51 | A0G401514 | 6-RUUVI M16X120 8.8 DIN931ZN | SCREW | 2 | 2 |
| 52 | D14441 | HYD.LETKU SYLINT.L1180 3-14441 | HOSE | 4 | 4 |
| 53 | D15312 | HYD.LETKU SYLINT.L4600 3-15312 | HOSE | 2 | 2 |

6.3.1 KIEKKOMUOKKAIN

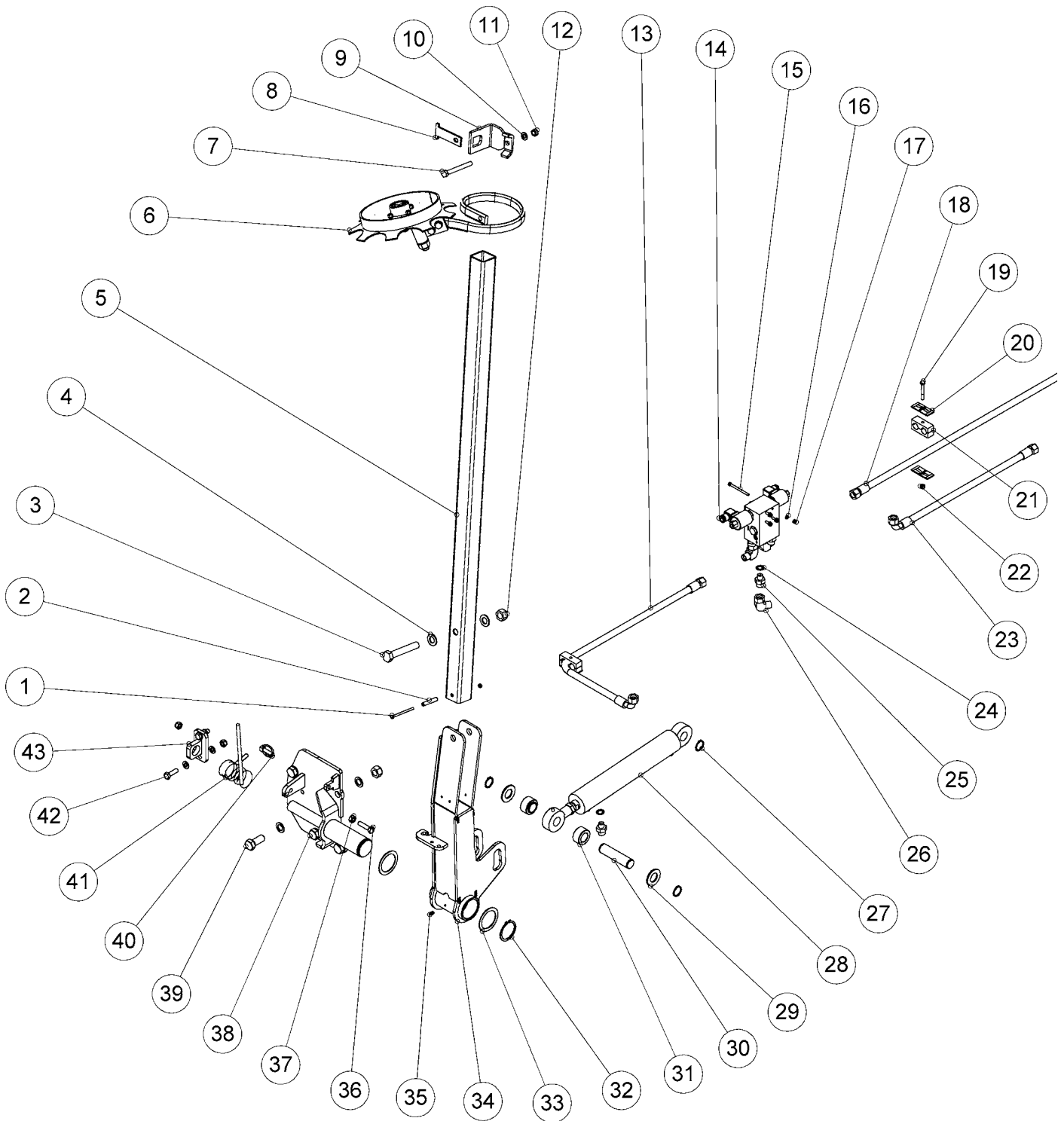
6.3.1 DISC CULTIVATOR



| OSA PART | KOODI CODE | NIMITYS | DESCRIPTION | ETU/ FRONT | TAKA/ REAR |
|-------------|---------------|--------------------------------|------------------------|---------------|---------------|
| 1 | 22987 | VARSII HITS. ETUMMAINEN | ARM,FRONT | 1 | |
| | 22986 | VARSII HITS. TAKIMMAINEN | ARM, REAR | | 1 |
| 2 | A0C0T4524 | 6-KOLOR.UPP.M12X30 10.9 DIN799 | SCREW | 4 | 4 |
| 3 | D17250 | HAMMAST.KIEKKO KUPERA 3-17250 | DISC | 1 | 1 |
| 4 | 21096 | NAPA HITS. JA KONEIST. | HUB | 1 | 1 |
| 5 | CNA40557 | DIN_3760-A40x55x7 STEFA | SHAFT SEAL | 1 | 1 |
| 6 | CE33062RSSKF | 2-RIV. VIISTOKUULALAAK. 33062R | BEARING | 1 | 1 |
| 7 | BH1011L11 | SEGER-RENG AKS 30X1.5 471 | CIRCLIP | 1 | 1 |
| 8 | 21095 | SUOJALEVY | COVER PLATE | 1 | 1 |
| 9 | BH2C21L14 | SEGER-RENG REI 72X2.5 472 | CIRCLIP | 1 | 1 |
| 10 | B5C0M2514 | JOUSIALUSL.M12 DIN127B ZN | SPRING WASHER | 4 | 4 |
| 11 | AGC113014 | 6-MUTTERI II M12 DIN985-8 ZN | NUT | 4 | 4 |
| | 22935 | MUOKKAINKIEKKO ETU | CULTIVATOR DISC, FRONT | | |
| | 22934 | MUOKKAINKIEKKO TAKA | CULTIVATOR DISC, REAR | | |

6.4 RIVIMERKITSIN SMD

6.4 TRACKMARKER SMD

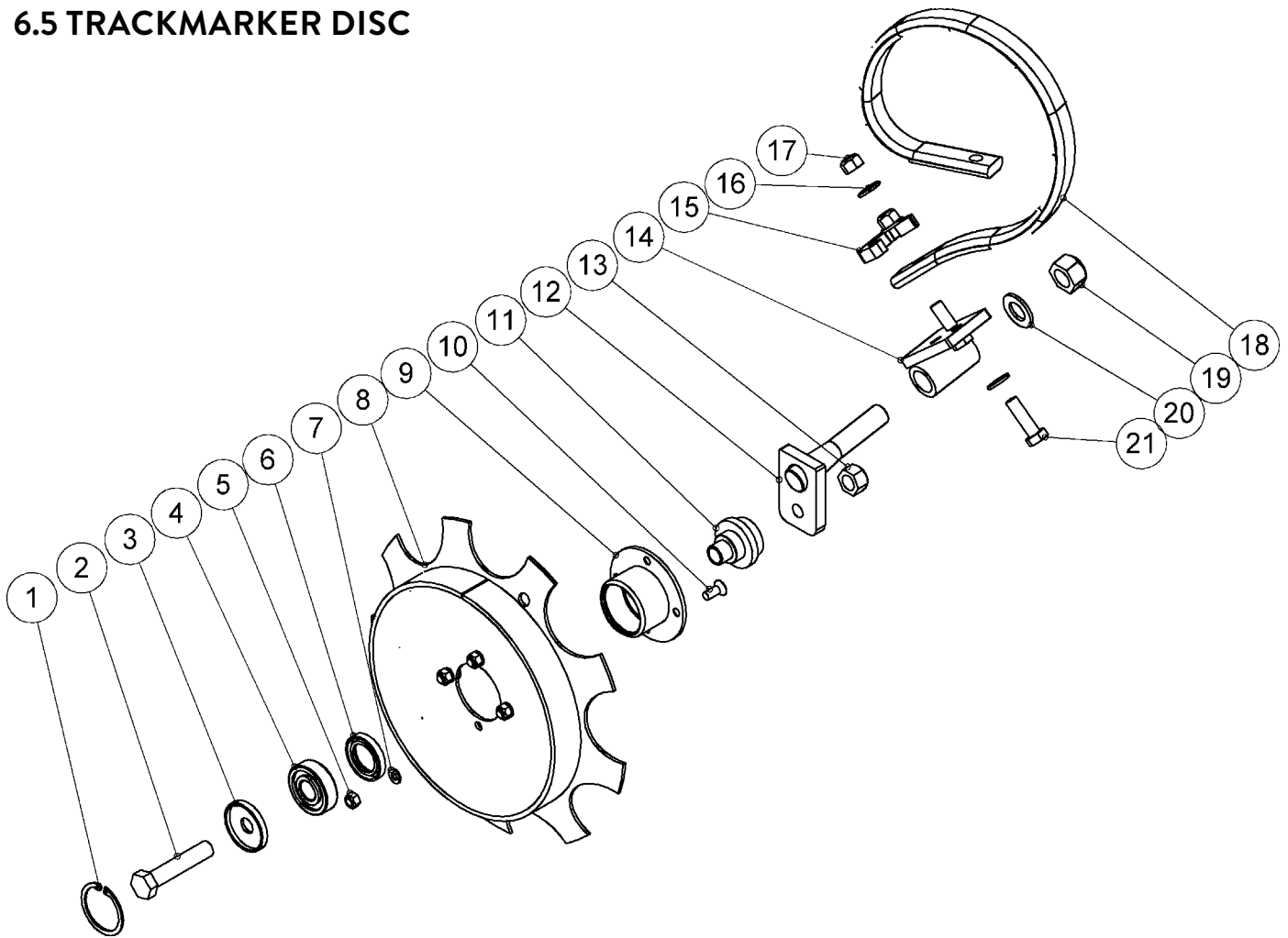


| OSA PART | KOODI CODE | NIMITYS | DESCRIPTION | SMD300 SMD400 | | SMD300 SMD400 | | SMD300 SMD400 | | SMD300 SMD400 | |
|----------|------------|--------------------------------|---------------------|---------------|-------|---------------|-------|---------------|-------|---------------|----|
| | | | | HYTAR | HYTAR | HYTAR | HYTAR | SHIFT | SHIFT | | |
| 1 | A062A1114 | 6-RUUVI M6X90 8.8 DIN931 ZNC | SCREW | 2 | 2 | 2 | 2 | 2 | 2 | 2 | 2 |
| 2 | B8A200004 | JOUSISOKKA 10X60 DIN1481 ZNC | TUBULAR PIN | 2 | 2 | 2 | 2 | 2 | 2 | 2 | 2 |
| 3 | A13929 | 6-RUUVI M20x125 8.8 DIN960 ZN | SCREW | 2 | 2 | 2 | 2 | 2 | 2 | 2 | 2 |
| 4 | B5L173024 | ALUSLAATTA M20 DIN125A ZN | WASHER | 20 | 20 | 20 | 20 | 20 | 20 | 20 | 20 |
| 5 | 33001 | YLÄVARSIPUTKI 3000 | BAR | 2 | 2 | 2 | 2 | 2 | 2 | 2 | 2 |
| | 32617 | YLÄVARSIPUTKI 4000 | BAR | 2 | 2 | 2 | 2 | 2 | 2 | 2 | 2 |
| 6 | 32451 | RIVIMERKKARINPÄÄ OIKEA KP | MARKER DISC, RIGHT | 1 | 1 | 1 | 1 | 1 | 1 | 1 | 1 |
| | 32449 | RIVIMERKKARINPÄÄ VASEN KP | MARKER DISC, LEFT | 1 | 1 | 1 | 1 | 1 | 1 | 1 | 1 |
| 7 | A0C3L1514 | 6-RUUVI M12X110 8.8 DIN 931Zn | SCREW | 2 | 2 | 2 | 2 | 2 | 2 | 2 | 2 |
| 8 | 18426 | LEVY JOUSENKIINNITTIMEEN | PLATE | 2 | 2 | 2 | 2 | 2 | 2 | 2 | 2 |
| 9 | 18425 | JOUSEN KIINNITIN | SPRING HOLDER | 2 | 2 | 2 | 2 | 2 | 2 | 2 | 2 |
| 10 | B5C0R2024 | ALUSLAATTA M12 DIN125A ZN | WASHER | 10 | 10 | 10 | 10 | 10 | 10 | 10 | 10 |
| 11 | AGC113014 | 6-MUTTERI II M12 DIN985-8 ZN | NUT | 8 | 8 | 8 | 8 | 8 | 8 | 8 | 8 |
| 12 | AGL113014 | 6-MUTTERI II M20 DIN985-8 ZN | NUT | 10 | 10 | 10 | 10 | 10 | 10 | 10 | 10 |
| 13 | 33398 | HYDRAULILETKU OIK. RIVIM. 300 | HOSE 300 RIGHT | 1 | 1 | 1 | 1 | 1 | 1 | 1 | 1 |
| | 33401 | HYDRAULILETKU OIK. RIVIM.400 | HOSE 400 RIGHT | 1 | 1 | 1 | 1 | 1 | 1 | 1 | 1 |
| | 33468 | LETKU LYHYT VAIHTOVENT. SMD300 | HOSE SHIFTVALVE 300 | 1 | 1 | 1 | 1 | 1 | 1 | 1 | 1 |
| | 33666 | LETKU LYHYT VAIHTOVENT. SMD400 | HOSE SHIFTVALVE 400 | 1 | 1 | 1 | 1 | 1 | 1 | 1 | 1 |
| 14 | BF328465KP | VENTTIILIRYHMÄ 2*SV10-28 + FDB | VALVE | 1 | 1 | 1 | 1 | 1 | 1 | 1 | 1 |
| | D15554A | VENTTIILI 2068-T2752 | VALVE | 1 | 1 | 1 | 1 | 1 | 1 | 1 | 1 |
| | AC688811 | VAIHTOVENTTIILI | SHIFTVALVE | 1 | 1 | 1 | 1 | 1 | 1 | 1 | 1 |
| 15 | A062A1014 | 6-RUUVI M6X80 8.8 DIN931 ZNC | SCREW | 4 | 4 | 4 | 4 | 4 | 4 | 4 | 4 |
| 16 | B560E1524 | ALUSLAATTA M 6 DIN125A ZN | WASHER | 4 | 4 | 4 | 4 | 4 | 4 | 4 | 4 |
| 17 | AG6113014 | 6-MUTTERI II M 6 DIN985-8 ZN | NUT | 6 | 6 | 6 | 6 | 6 | 6 | 6 | 6 |
| 18 | 33399 | HYDRAULILETKU VAS. RIVIM. 300 | HOSE 300 LEFT | 1 | 1 | 1 | 1 | 1 | 1 | 1 | 1 |
| | 33402 | HYDRAULILETKU VAS. RIVIM.400 | HOSE 400 LEFT | 1 | 1 | 1 | 1 | 1 | 1 | 1 | 1 |
| | 33469 | LETKU PITKÄ VAIHTOVENT. SMD300 | HOSE SHIFTVALVE 300 | 1 | 1 | 1 | 1 | 1 | 1 | 1 | 1 |
| | 33665 | LETKU PITKÄ VAIHTOVENT. SMD400 | HOSE SHIFTVALVE 400 | 1 | 1 | 1 | 1 | 1 | 1 | 1 | 1 |
| 19 | A05960 | 6-RUUVI M8X60 8.8 DIN 931 ZN | SCREW | 1 | 1 | 1 | 1 | 1 | 1 | 1 | 1 |
| 20 | D6CF3U | PEITELEVY CF3-U | COVER PLATE | 4 | 4 | 4 | 4 | 4 | 4 | 4 | 4 |
| 21 | D6C322 | KAKSOISKIINNIKE CF 322-22 | DOUBLE HOLDER | 3 | 3 | 3 | 3 | 3 | 3 | 3 | 3 |
| 22 | AG8113014 | 6-MUTTERI II M 8 DIN985-8 ZN | NUT | 1 | 1 | 1 | 1 | 1 | 1 | 1 | 1 |
| 23 | D41412 | LETKUASENNELMA 1/2 600 3-41412 | HOSE | 1 | 1 | 1 | 1 | 1 | 1 | 1 | 1 |
| | 22322 | RIVIMERKKARIN LETKU TRAKTORIIN | HOSE | 1 | 1 | 1 | 1 | 1 | 1 | 1 | 1 |
| 24 | 133300P | USIT-TIIVISTE 217-06 3/8 | SEAL | 6 | 6 | 6 | 6 | 6 | 6 | 6 | 6 |
| 25 | 134460P | KAKSOISNIPPA 202-06-08 3/8-1/2 | DOUBLE NIPPLE | 6 | 6 | 6 | 6 | 6 | 6 | 6 | 6 |
| 26 | D12383 | KULMANIPPA 704-08 T | ANGLE NIPPLE | 3 | 3 | 3 | 3 | 3 | 3 | 3 | 3 |
| 27 | BH1011L11 | SEGER-RENG AKS 30X1.5 471 | CIRCLIP | 6 | 6 | 6 | 6 | 6 | 6 | 6 | 6 |
| 28 | 33383 | HYDRAULISYLINTERI SÄÄDETTÄVÄ | CYLINDER | 2 | 2 | 2 | 2 | 2 | 2 | 2 | 2 |
| 29 | B61850 | ALUSLAATTA M30 DIN125A ZNC | WASHER | 4 | 4 | 4 | 4 | 4 | 4 | 4 | 4 |
| 30 | 31701 | AKSELI | WASHER | 2 | 2 | 2 | 2 | 2 | 2 | 2 | 2 |
| 31 | 31703 | HOLKKI | WASHER | 4 | 4 | 4 | 4 | 4 | 4 | 4 | 4 |

| OSA PART | KOODI CODE | NIMITYS | DESCRIPTION | SMD300 | SMD400 | SMD300 | SMD400 | SMD300 | SMD400 | SMD300 | SMD400 | SMD300 | SMD400 | SMD300 | SMD400 |
|----------|------------|------------------------------|---------------|--------|--------|--------|--------|--------|--------|--------|--------|--------|--------|--------|--------|
| | | | | HYTAR | HYTAR | HYTAR | HYTAR | SHIFT | SHIFT | SHIFT | SHIFT | SHIFT | SHIFT | SHIFT | SHIFT |
| 32 | BH2012F24 | SEGER-RENG AKS 60X2 471 | CIRCLIP | 2 | 2 | 2 | 2 | 2 | 2 | 2 | 2 | 2 | 2 | 2 | 2 |
| 33 | 21050 | VÄLIPRIKKA 80/61/2 | WASHER | 4 | 4 | 4 | 4 | 4 | 4 | 4 | 4 | 4 | 4 | 4 | 4 |
| 34 | 33379 | VARSİ HİTS. OİK. | ARM, RIGHT | 1 | 1 | 1 | 1 | 1 | 1 | 1 | 1 | 1 | 1 | 1 | 1 |
| | 33231 | VARSİ HİTS. VAS. | ARM, LEFT | 1 | 1 | 1 | 1 | 1 | 1 | 1 | 1 | 1 | 1 | 1 | 1 |
| 35 | BJ6500000 | RASYANIPPA M 8*1.25 N:O 507 | GREASE NIPPLE | 2 | 2 | 2 | 2 | 2 | 2 | 2 | 2 | 2 | 2 | 2 | 2 |
| 36 | A0C1L1524 | 6-RUUVI M12X50 8.8 DIN933ZN | SCREW | 2 | 2 | 2 | 2 | 2 | 2 | 2 | 2 | 2 | 2 | 2 | 2 |
| 37 | AGC11014 | 6-MUTTERI M12 DIN934-8 ZN | NUT | 2 | 2 | 2 | 2 | 2 | 2 | 2 | 2 | 2 | 2 | 2 | 2 |
| 38 | 33377 | SARANA HİTS. OİK. | PIVOT RIGHT | 1 | 1 | 1 | 1 | 1 | 1 | 1 | 1 | 1 | 1 | 1 | 1 |
| | 33229 | SARANA HİTS. VAS. | PIVOT LEFT | 1 | 1 | 1 | 1 | 1 | 1 | 1 | 1 | 1 | 1 | 1 | 1 |
| 39 | A13650 | 6-RUUVI M20X50 8.8 DIN933 ZN | SCREW | 8 | 8 | 8 | 8 | 8 | 8 | 8 | 8 | 8 | 8 | 8 | 8 |
| 40 | BEC000002 | RENGAS-SOKKA 10X40 L=40 ZN | LINCHPIN | 2 | 2 | 2 | 2 | 2 | 2 | 2 | 2 | 2 | 2 | 2 | 2 |
| 41 | D14154A | JOUSI 90 AST.(VASEN) 3-15506 | SPRING | 1 | 1 | 1 | 1 | 1 | 1 | 1 | 1 | 1 | 1 | 1 | 1 |

6.5 RIVIMERKITSIMEN PÄÄ

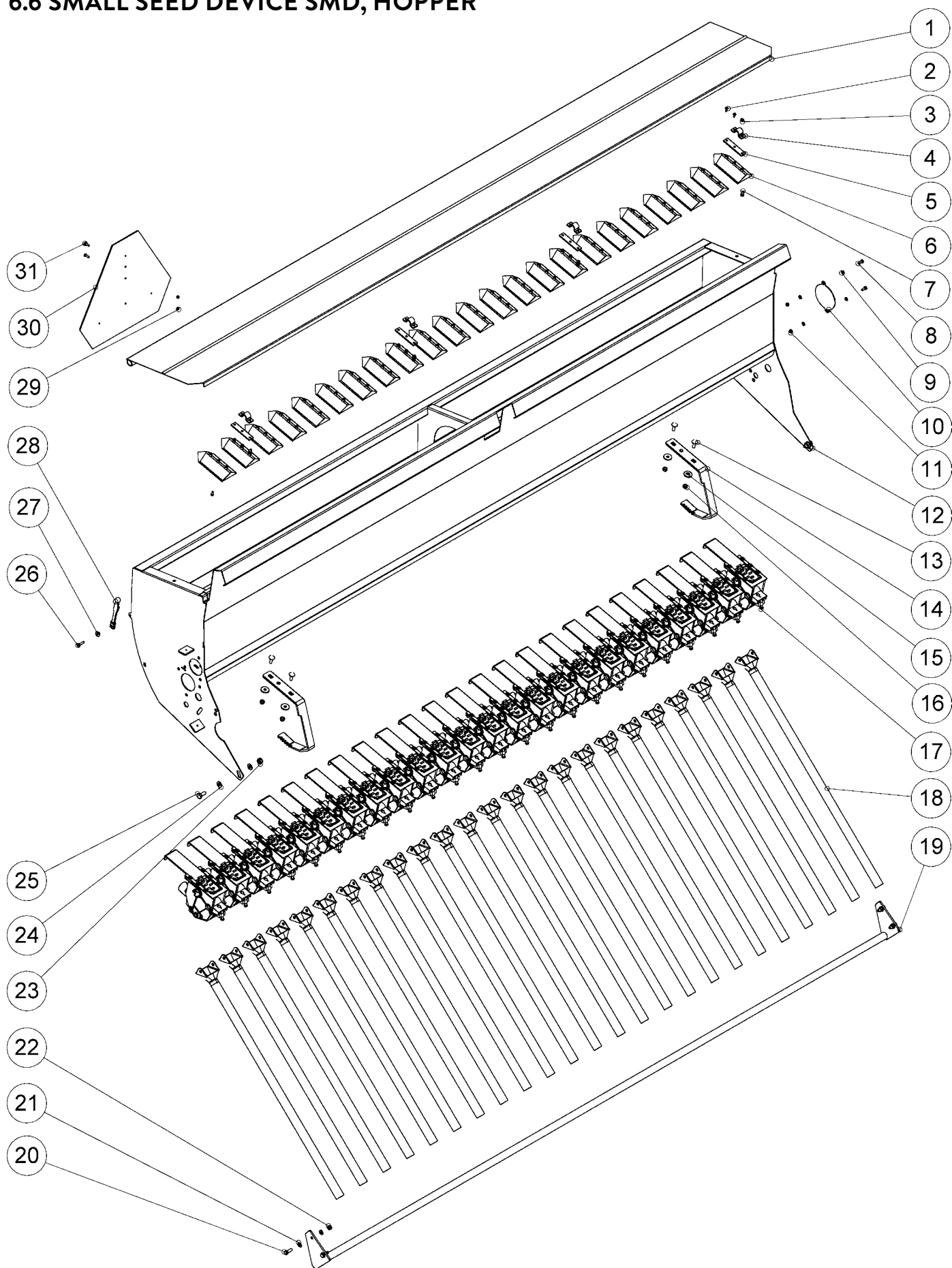
6.5 TRACKMARKER DISC



| OSA PART | KOODI CODE | NIMITYS | DESCRIPTION | KPL/PCS |
|----------|------------|----------------------------------|--------------------|---------|
| 1 | BH1N20021 | SEGER-RENG REI 52X2 472 | CIRCLIP | 1 |
| 2 | A0G2L1514 | 6-RUUVI M16X80 8.8 DIN931 ZN | SCREW | 1 |
| 3 | 32445 | SUOJALAIPPA | COVER PLATE | 1 |
| 4 | CE63042RS | KUULALAAKERI 6304 2 RS | BEARING | 1 |
| 5 | AG8111014 | 6-MUTTERI M 8 DIN934-8 ZN | NUT | 4 |
| 6 | CNA304770 | STEFA DIN 3760 A30*47*7 | SHAFT SEAL | 1 |
| 7 | B580E2014 | JOUSIALUSL.M 8 DIN127B ZN | SPRING WASHER | 4 |
| 8 | 32446 | KIEKKO HITS. | DISC | 1 |
| 9 | 31356 | VANTAAN NAPA | HUB | 1 |
| 10 | A080L4511 | 6-KOLOR.UPP.M8X20 10.9DIN7991 ZN | SCREW | 4 |
| 11 | 33445 | PAIKOITUSHOLKKI | BUSHING | 1 |
| 12 | 22410 | SÄÄTÖLEVY HITS. M16 | PLATE | 1 |
| 13 | AGG113014 | 6-MUTTERI II M16 DIN985-8 ZN | NUT | 1 |
| 14 | 21039 | SÄÄTÖPALA HITS. | ADJUSTMENT PIECE | 1 |
| 15 | 21178 | LUKITUSPALA | LOCK | 1 |
| 16 | B5C0R2024 | ALUSLAATTA M12 DIN125A ZN | WASHER | 4 |
| 17 | AGC113014 | 6-MUTTERI II M12 DIN985-8 ZN | NUT | 2 |
| 18 | D30000481 | JOUSI LANN.VANT.M-87 22897S | SPRING | 1 |
| 19 | AGL113014 | 6-MUTTERI II M20 DIN985-8 ZN | NUT | 1 |
| 20 | B5L173024 | ALUSLAATTA M20 DIN125A ZN | WASHER | 1 |
| 21 | A0C1A1014 | 6-RUUVI M12X40 8.8 DIN933 ZN | SCREW | 2 |
| | 32451 | RIVIMERKKARINPÄÄ OIKEA KOOTTU | MARKER DISC, RIGHT | |
| | 32449 | RIVIMERKKARINPÄÄ VASEN KOOTTU | MARKER DISC, LEFT | |

6.6 PIENSIEMENLAITE SMD, SÄILIÖ

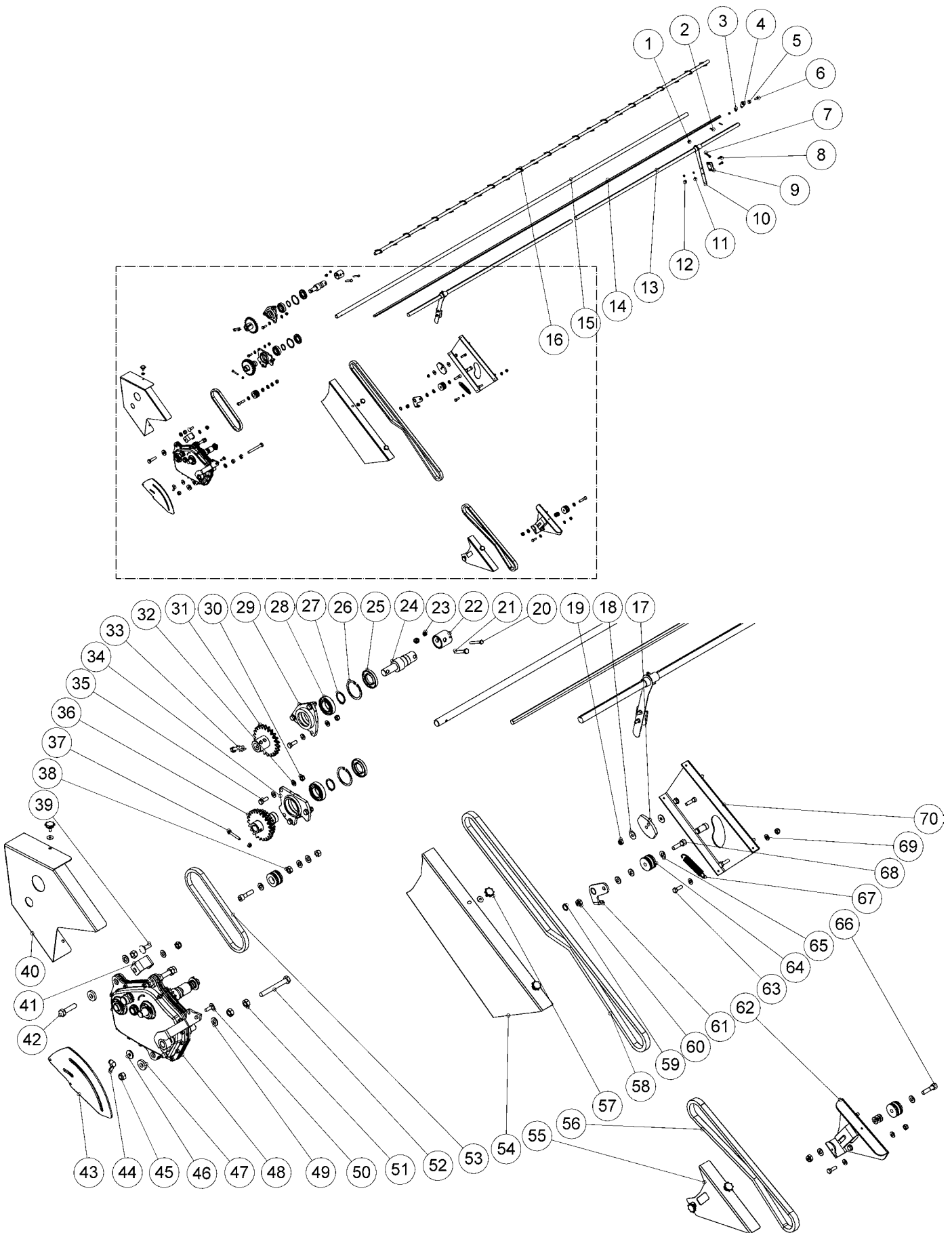
6.6 SMALL SEED DEVICE SMD, HOPPER



| OSA PART | KOODI CODE | NIMITYS | DESCRIPTION | SMD300 | SMD400 |
|----------|------------|--------------------------------|--------------------|--------|--------|
| 1 | 33326 | PSL PEITE 300 | LID | 1 | |
| | 33343 | PSL PEITE 400 | LID | | 1 |
| 2 | A670G9824 | X-LEVYR.4.8X16 A2 DIN7981C POZ | SCREW | 31 | 41 |
| 3 | A50451 | 6-MUTTERI II M6 DIN985 AISI | NUT | 7 | 8 |
| 4 | 160828 | LAAKERIN YLEMPI PUOLIKAS | BEARING, UPPER | 4 | 5 |
| 5 | 20861 | LAAKERIN ALEMPI PUOLIKAS | BEARING, LOWER | 4 | 5 |
| 6 | D17941 | MAESTRON POHJAKARTIO 17941 | BOTTOM CONE | 23 | 31 |
| 7 | A02195 | 6-RUUVI M6X16 A2 DIN 933 AISI | SCREW | 4 | 5 |
| 8 | A060G1024 | 6-RUUVI M6X16 8.8 DIN 933 ZN | SCREW | 2 | 2 |
| 9 | B560E1524 | ALUSLAATTA M 6 DIN125A ZN | WASHER | 5 | 5 |
| 10 | 21204 | LISÄSUOJA SEKOITINAKSELILLE | COVER PLATE | 1 | 1 |
| 11 | AG6113014 | 6-MUTTERI II M 6 DIN985-8 ZN | NUT | 4 | 4 |
| 12 | 33295 | PSL SÄILIÖ HITS. 300 | HOPPER | 1 | |
| | 33342 | PSL SÄILIÖ HITS. 400 | HOPPER | | 1 |
| 13 | A080S3014 | LUKKOR. M8X25 4.6 DIN 603 ZN | SCREW | 5 | 5 |
| 14 | 33325 | ASENTOLEVY PSL HARMAA | POSITION PLATE | 2 | 2 |
| 15 | B580V1544 | KORILAATTA M 8 DIN440R ZN | WASHER | 4 | 4 |
| 16 | AG8113014 | 6-MUTTERI II M 8 DIN985-8 ZN | NUT | 2 | 2 |
| 17 | 17580 | SIEMENPUOLEN SYÖTTÖKOTELO | FEEDER CASE | 24 | 32 |
| 18 | 32458 | SYÖTTÖPUTKI PSL KOOTTU | FEEDER TUBE | 24 | 32 |
| 19 | 18807 | SYÖTTÖPUTKIEN KANNATIN | FEEDER TUBE HOLDER | 1 | |
| | 18324 | SYÖTTÖPUTKIEN KANNATIN 4000 | FEEDER TUBE HOLDER | | 1 |
| 20 | A0435 | 6-RUUVI M6X25 A2 DIN933 AISI | SCREW | 2 | 2 |
| 21 | B560N1525 | KORILAATTA M6 A2 DIN9021 AISI | WASHER | 2 | 2 |
| 22 | AG8113014 | 6-MUTTERI II M 8 DIN985-8 ZN | NUT | 2 | 2 |
| 23 | A50251 | 6-MUTTERI II M5 A2 DIN985 AISI | NUT | 2 | 2 |
| 24 | B5A0MB024 | ALUSLAATTA M10 DIN125A ZN | WASHER | 1 | 1 |
| 25 | A01050 | URARUUVI M5X16 A2 DIN 7985 POZ | SCREW | 2 | 2 |
| 26 | A080S1514 | 6-RUUVI M8X25 8.8 DIN933 ZN | SCREW | 4 | 4 |
| 27 | B580H1624 | ALUSLAATTA M 8 DIN125A ZN | WASHER | 8 | 8 |
| 28 | E74337 | KUMISALPA ROSENLEW RALLIHAKA | RUBBER LATCH | 4 | 4 |
| 29 | AGA113014 | 6-MUTTERI II M10 DIN985-8 ZN | NUT | 2 | 2 |
| 30 | D50000387 | LGF HIT.AJON.KOLMIO MUOVINEN | SMV STICKER | 4 | 4 |
| 31 | A0A0S1524 | 6-RUUVI M10X25 8.8 DIN933 ZN | SCREW | 2 | 2 |

6.7 PIENSIEMENLAITE SMD, KONEISTO

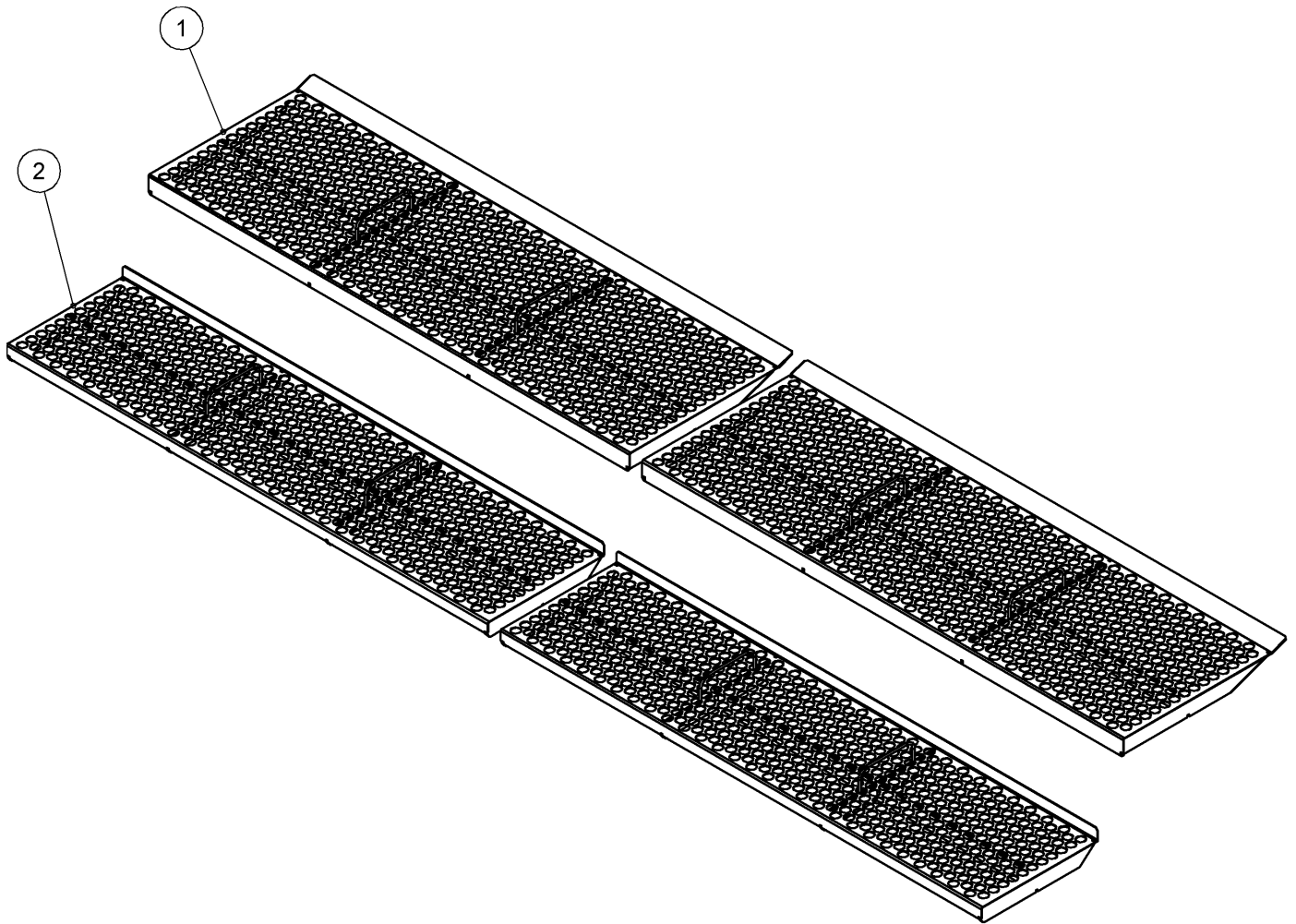
6.7 SMALL SEED DEVICE SMD, GEAR



| OSA PART | KOODI CODE | NIMITYS | DESCRIPTION | SMD300 | SMD400 |
|----------|------------|--------------------------------|-------------------|--------|--------|
| 1 | AG6113014 | 6-MUTTERI II M 6 DIN985-8 ZN | NUT | 3 | 3 |
| 2 | B840S0001 | JOUSISOKKA 4X24 DIN1481 ZNC | TUBULAR PIN | 2 | 2 |
| 3 | B560N1524 | KORILAATTA M 6 DIN9021 ZN | WASHER | 9 | 9 |
| 4 | 33603 | LUKITUSLEVY | LOCK PLATE | 1 | 1 |
| 5 | B560E1524 | ALUSLAATTA M 6 DIN125A ZN | WASHER | 1 | 1 |
| 6 | A060L1524 | 6-RUUVI M6X20 8.8 DIN 933 ZN | SCREW | 1 | 1 |
| 7 | A06151514 | 6-RUUVI M6X35 8.8 DIN 933 ZN | SCREW | 2 | 2 |
| 8 | A02100 | URARUUVI M6X16 A2 DIN 7985 POZ | SCREW | 4 | 4 |
| 9 | 161505 | LUKITSIN SAÄTÖVIPUUN | LOCK | 2 | 2 |
| 10 | 17671 | VIPU HITS. | LEVER | 2 | 2 |
| 11 | B560B1615 | JOUSIALUSL. M6 DIN127B A2 AISI | SPRING WASHER | 4 | 4 |
| 12 | A50452 | 6-MUTTERI M6 A2 DIN934 AISI | NUT | 4 | 4 |
| 13 | 17563 | POHJÄLÄPÄN AKSELI | BOTTOM FLAP SHAFT | 2 | |
| | 33192 | POHJÄLÄPÄN AKSELI PSL 400 | BOTTOM FLAP SHAFT | | 2 |
| 14 | 17564 | PIKKULÄPÄN AKSELI | LITTLE FLAP SHAFT | 1 | |
| | 18136 | PIKKULÄPÄN AKSELI 4000 | LITTLE FLAP SHAFT | | 1 |
| 15 | 32553 | PSL SYÖTTÖAKSELI 2014 | FEED SHAFT | 1 | |
| | 31937 | SYÖTTÖAKSELI SIEM.PUOLI | FEED SHAFT | | 1 |
| 16 | 32554 | SEKOITINAKSELI HITSATTU | MIXER SHAFT | 1 | |
| | 33188 | SEKOITINAKSELI HITS. PSL 400 | MIXER SHAFT | | 1 |
| 17 | 130440 | KETJUNKIRISTÄJÄ | CHAIN TIGHTEN | 1 | 1 |
| 18 | B580N1524 | KORILAATTA M 8 DIN9021B ZN | WASHER | 2 | 2 |
| 19 | AG8113014 | 6-MUTTERI II M 8 DIN985-8 ZN | NUT | 11 | 11 |
| 20 | A03556 | 6-RUUVI M6X50 A2 DIN933 AISI | SCREW | 1 | 1 |
| 21 | A081L1821 | 6-RUUVI M8X50 A2 DIN933 AISI | SCREW | 1 | 1 |
| 22 | 21129 | HOLKKI SEK.AKSELIIN | BUSHING | 1 | 1 |
| 23 | A50451 | 6-MUTTERI II M6 DIN985 AISI | NUT | 1 | 1 |
| 24 | 33315 | HAMMASP. NAPA | PINION | 1 | 1 |
| 25 | D49009 | STEFA 30*55*7 CRW1R | SHAFT SEAL | 2 | 2 |
| 26 | BH1S1S0J1 | SEGER-RENG REI 55X2 472 | CIRCLIP | 2 | 2 |
| 27 | BH1011L11 | SEGER-RENG AKS 30X1.5 471 | CIRCLIP | 2 | 2 |
| 28 | CE60062RS | KUULALAAKERI 6006 2 RS | BEARING | 2 | 2 |
| 29 | 33317 | LAAKERIPESA HITS. | HUB | 1 | 1 |
| 30 | A50710 | 6-MUTTERI II M8 A2 DIN985 AISI | NUT | 7 | 7 |
| 31 | 33334 | HAMMASPYÖRÄ HITS. SEK.AKS. | PINION | 1 | 1 |
| 32 | B60649 | ALUSLAATTA M 8 DIN125A A2 AISI | WASHER | 12 | 12 |
| 33 | BEC000003 | RENGASSOKKA 5080451 | LINCHPIN | 1 | 1 |
| 34 | 17185 | LAAKERIPESA VIISTETTY | HUB | 1 | 1 |
| 35 | A04750 | 6-RUUVI M8X25 A2-80 DIN933 AIS | SCREW | 6 | 6 |
| 36 | 33298 | KETJUP.HITS.PSL | PINION | 1 | 1 |
| 37 | A061A1524 | 6-RUUVI M6X40 8.8 DIN 933 ZN | SCREW | 2 | 2 |
| 38 | AGA111014 | 6-MUTTERI M10 DIN934-8 ZN | NUT | 1 | 1 |
| 39 | A07320 | LUKKOR.M10X30 8.8 DIN 603 ZN | SCREW | 1 | 1 |
| 40 | 33327 | KETJUSUOJA PSL | CHAIN COVER | 1 | 1 |
| 41 | 33320 | KIINNITYSLATTA VAIHDEL. | HOLDER FOR TRANS. | 1 | 1 |
| 42 | A0C1L1524 | 6-RUUVI M12X50 8.8 DIN933ZN | SCREW | 1 | 1 |
| 43 | 32565 | ASTEIKKOKAARI PSL 2014 | CURVE | 1 | 1 |
| 44 | D30142 | SIIPIVÄÄNNIN + TULPPA 80105 | KNOB | 1 | 1 |
| 45 | AGC113014 | 6-MUTTERI II M12 DIN985-8 ZN | NUT | 3 | 3 |
| 46 | 19848 | KUMIPRIKKA 9*25 | WASHER | 1 | 1 |
| 47 | B1213306 | ALUSLAATTA M12 13/30/6 DIN7349 | WASHER | 3 | 3 |
| 48 | 32585 | VAIHDELAATIKKO KOOTTU PSL | GEARBOX | 1 | 1 |
| 49 | B5COR2024 | ALUSLAATTA M12 DIN125A ZN | WASHER | 3 | 3 |
| 50 | A080S3014 | LUKKOR. M8X25 4.6 DIN 603 ZN | SCREW | 1 | 1 |
| 51 | AGC111014 | 6-MUTTERI M12 DIN934-8 ZN | NUT | 4 | 4 |
| 52 | A0C3A1024 | 6-RUUVI M12X100 8.8 DIN933ZNC | SCREW | 2 | 2 |
| 53 | 33319 | RULLAKETJU PSL | CHAIN | 1 | 1 |
| 54 | 32560 | SUOJA PSL ISO SÄILIÖ | COVER | 1 | 1 |
| 55 | 33332 | KETJUSUOJA PSL ECO | CHAIN COVER | 1 | 1 |
| 56 | 33335 | RULLAKETJU PSL ECO | CHAIN | 1 | 1 |
| 57 | A01560 | SORMIRUUVI M*6X10 /32799900 | SCREW | 8 | 8 |
| 58 | 32457 | RULLAKETJU 1/2" 137 LENKKIÄ + | CHAIN | 1 | 1 |
| 59 | BH0H11L16 | SEGER-RENG AKS 16X1 471 | CIRCLIP | 1 | 1 |
| 60 | AGA113014 | 6-MUTTERI II M10 DIN985-8 ZN | NUT | 4 | 4 |
| 61 | 19081 | KETJUNKIRISTÄJÄ HITS | CHAIN TIGHTEN | 1 | 1 |
| 62 | 33331 | KIINNITYSLEVY HITS. | FASTENER PLATE | 1 | 1 |
| 63 | A080S1514 | 6-RUUVI M8X25 8.8 DIN933 ZN | SCREW | 11 | 11 |
| 64 | 137224 | RULLA KETJUNKIRISTÄJÄÄN | ROLL | 3 | 3 |
| 65 | B5A0MB024 | ALUSLAATTA M10 DIN125A ZN | WASHER | 8 | 8 |
| 66 | A0A1A4524 | 6-KOLOR.M10X40 8.8 DIN912 ZN | SCREW | 2 | 2 |
| 67 | D14105 | VETOJOUSI 2.25*18*90 SINK9208S | DRAW SPRING | 1 | 1 |
| 68 | A0A1B4524 | 6-KOLOR. M10X35 8.8 DIN 912 ZN | SCREW | 1 | 1 |
| 69 | B580H1624 | ALUSLAATTA M 8 DIN125A ZN | WASHER | 22 | 22 |
| 70 | 32588 | SUOJAN TAKALEVY HITS | COVER REAR | 1 | 1 |

6.8 SIEMENSEULAT SMD

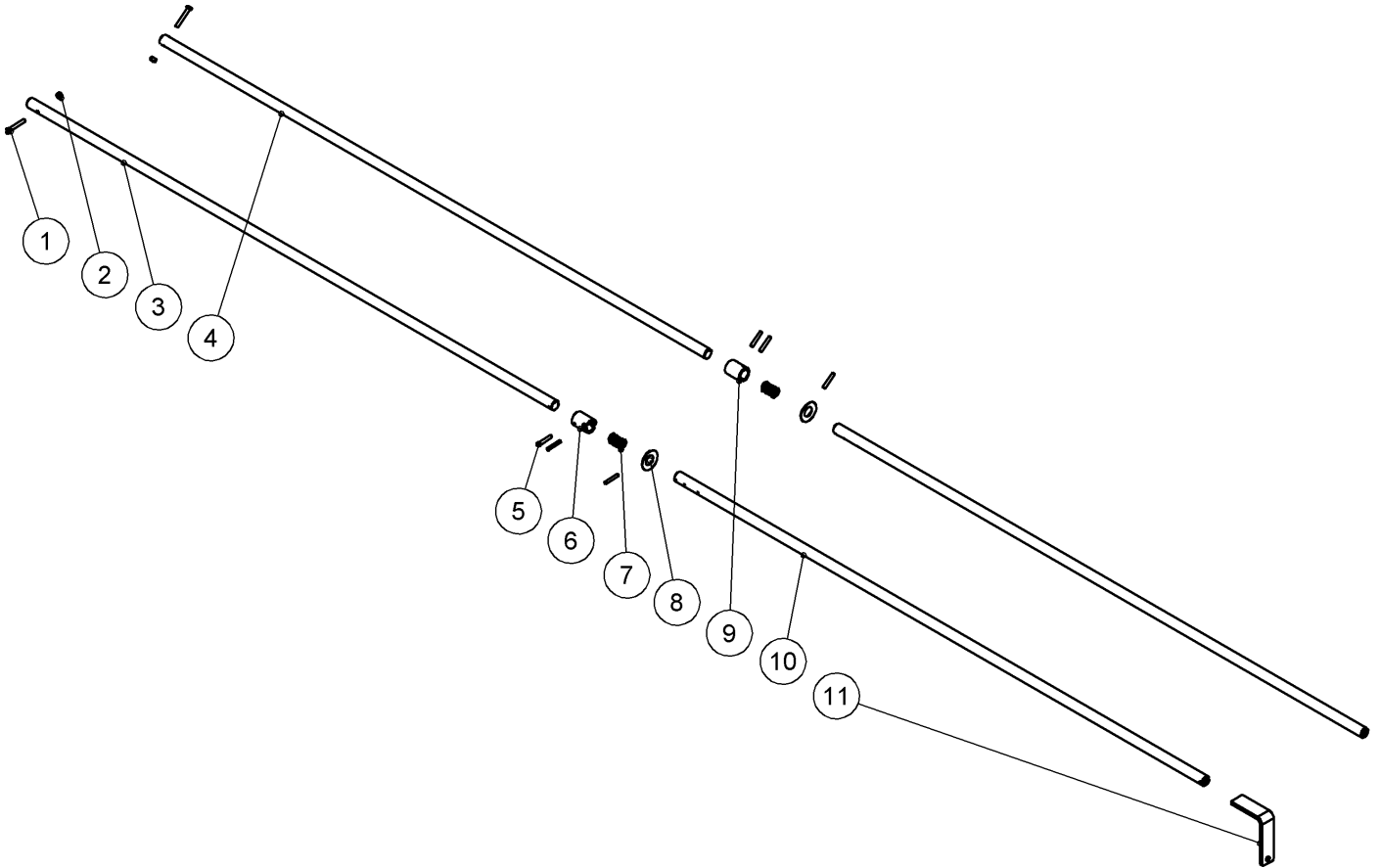
6.8 SIEVES FOR SEED SMD



| OSA PART | KOODI CODE | NIMITYS | DESCRIPTION | LANN. ERI/ FERT. DIFF | LANN. SAMA/ FERT. SAME |
|----------|------------|--------------------------------|-------------|--------------------------|------------------------------|
| 1 | 33529 | SIEMENSEULA HITS. 300 ERIRIVI | SIEVE, SEED | 2 | |
| | 33563 | SIEMENSEULAT SMD 400 ERIRIVI | SIEVE, SEED | 2 | |
| 2 | 33548 | SIEMENSEULA HITS. 300 SAMARIVI | SIEVE, SEED | | 2 |
| | 33566 | SIEMENSEULA HITS. 400 SAMARIVI | SIEVE, SEED | | 2 |

6.9 PUOLENKONEEN SULKU

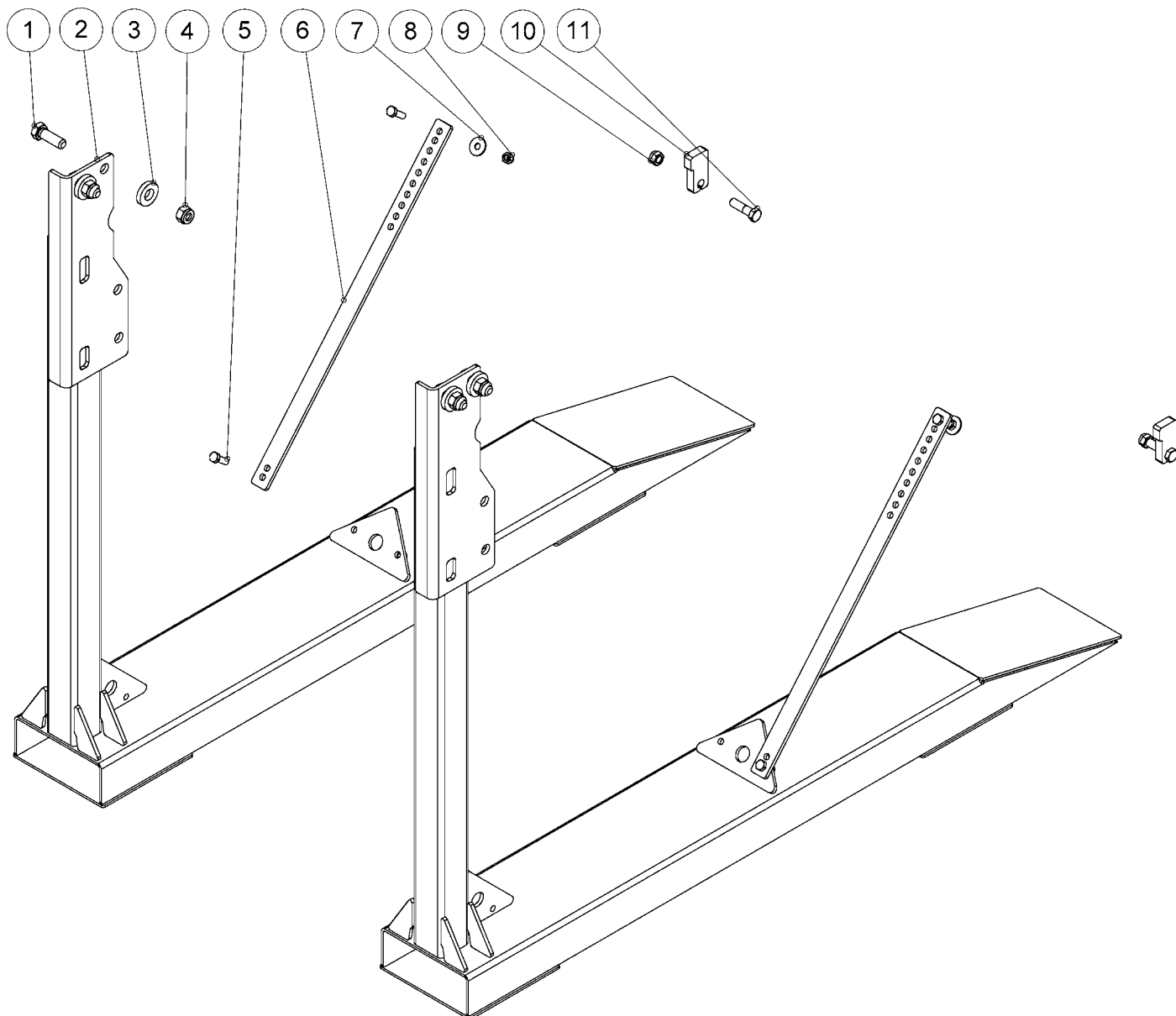
6.9 HALF CLOSE



| OSA PART | KOODI CODE | NIMITYS | DESCRIPTION | 300 | 400 |
|----------|------------|------------------------------|--------------------|-----|-----|
| 1 | A061A1524 | 6-RUUVI M6X40 8.8 DIN 933 ZN | SCREW | 2 | 2 |
| 2 | AG6113014 | 6-MUTTERI II M 6 DIN985-8 ZN | NUT | 2 | 2 |
| 3 | 31787 | SYÖTTÖAKSELI LP 1 | FEED SHAFT, FERT | 1 | |
| | 33421 | SYÖTTÖAKSELI LP 1 | FEED SHAFT, FERT | | 1 |
| 4 | 31788 | SYÖTTÖAKSELI SP 1 | FEED SHAFT, SEED | 1 | |
| | 33422 | SYÖTTÖAKSELI SP 1 | FEED SHAFT, SEED | | 1 |
| 5 | B85120001 | JOUSISOKKA 5X32 DIN1481 ZNC | TUBULAR PIN | 6 | 6 |
| 6 | 33419 | KYTKINHOLKKI LANN.PUOLI | BUSHING | 1 | 1 |
| 7 | D19671 | PURISTUSJOUSI 2*18*30 19671 | SPRING | 2 | 2 |
| 8 | B61472 | LAUTASJOUSI 40*20.4*1.5 | SPRING | 2 | 2 |
| 9 | 19618 | KYTKINHOLKKI | CLUTCH BUSHING | 1 | 1 |
| 10 | 33496 | SYÖTTÖAKSELI LP 2 | FEED SHAFT, FERT | 2 | |
| | 33501 | SYÖTTÖAKSELI LP 2 400 | FEED SHAFT, FERT | | 2 |
| 11 | 33497 | AVAIN PUOLENKONEEN SULKU | KEY FOR HALF CLOSE | 1 | 1 |

6.10 LISÄOSAT KULJETUSTA VARTEN SMD

6.10 ACCESSORIES FOR TRANSPORTING SMD



| OSA PART | KOODI CODE | NIMITYS | DESCRIPTION | KPL/PCS |
|----------|------------|------------------------------|----------------|---------|
| 1 | A0L201524 | 6-RUUVI M20X60 8.8 DIN933 ZN | SCREW | 4 |
| 2 | 33456 | KULJETUSJALKA HITS. S JA M | TRANSPORT BASE | 2 |
| 3 | B5R1F4025 | ALUSLEVY M24 DIN_7349-25 | WASHER | 4 |
| 4 | AGL113014 | 6-MUTTERI II M20 DIN985-8 ZN | NUT | 4 |
| 5 | A0C1A1014 | 6-RUUVI M12X40 8.8 DIN933 ZN | SCREW | 4 |
| 6 | 33458 | LATTA S | PLATE | 2 |
| 7 | B5C0R2124 | KORILAATTA M12 DIN9021 ZN | WASHER | 2 |
| 8 | AGC113014 | 6-MUTTERI II M12 DIN985-8 ZN | NUT | 4 |
| 9 | AGG113014 | 6-MUTTERI II M16 DIN985-8 ZN | NUT | 2 |
| 10 | 33459 | TOPPARI TELIIN | STOPPER | 2 |
| 11 | A0G201514 | 6-RUUVI M16X60 8.8 DIN931 ZN | SCREW | 2 |

