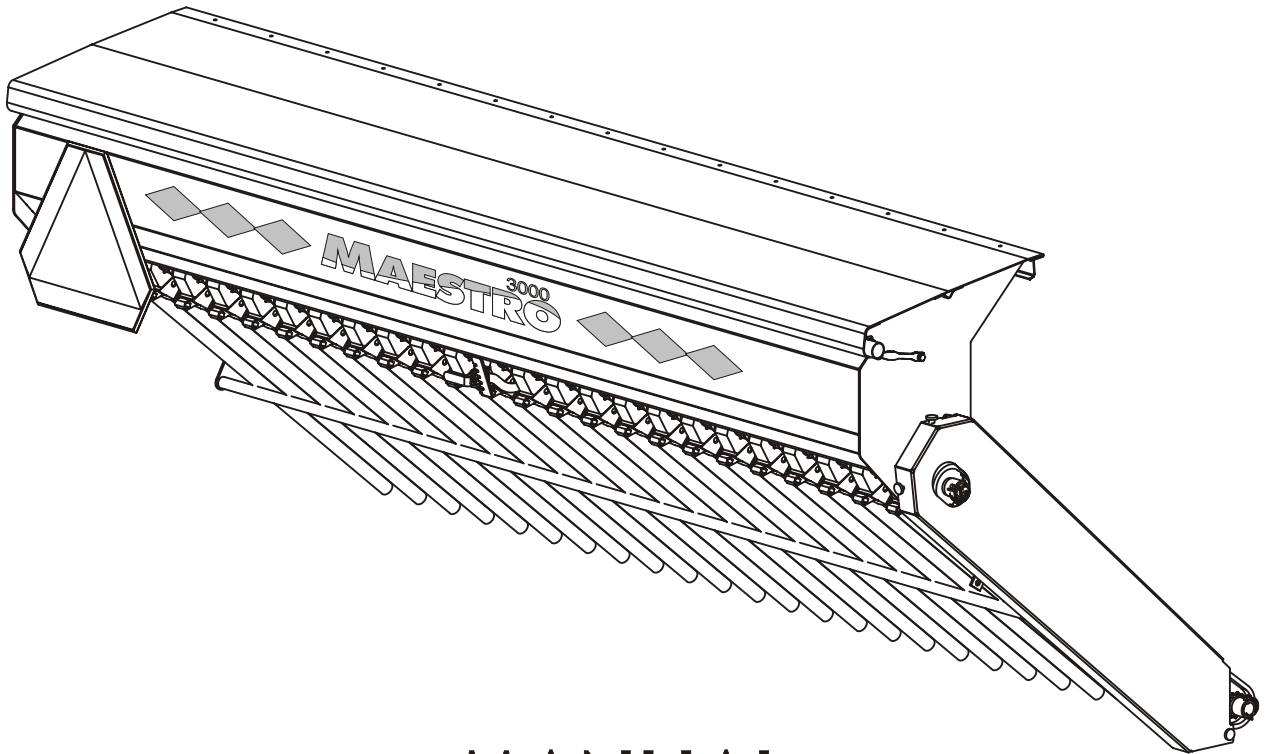


# Junkkari

**MAESTRO** Plus  
3000  
4000  
◆◆◆ Junkkari

## SMALL SEED BOX



## MANUAL

MAPSL11\_EN

Junkkari Oy  
62375 YLIHÄRMÄ FINLAND  
TEL. +358-(0)10-480 2200  
FAX +358-(0)10-480 2295  
e-mail: junkkari@msk.fi  
Internet: www.junkkari.fi

ENGLISH €

---

DEAR CUSTOMER



Warning!

TECHNICAL SPECIFICATIONS

---

# GENERAL

*PURPOSE OF USE*

*APPLICATIONS*

## FUNCTIONING PRINCIPLE

## TAKING INTO USE

*PACKAGE:*

Hexagonal screw M12\*45+3

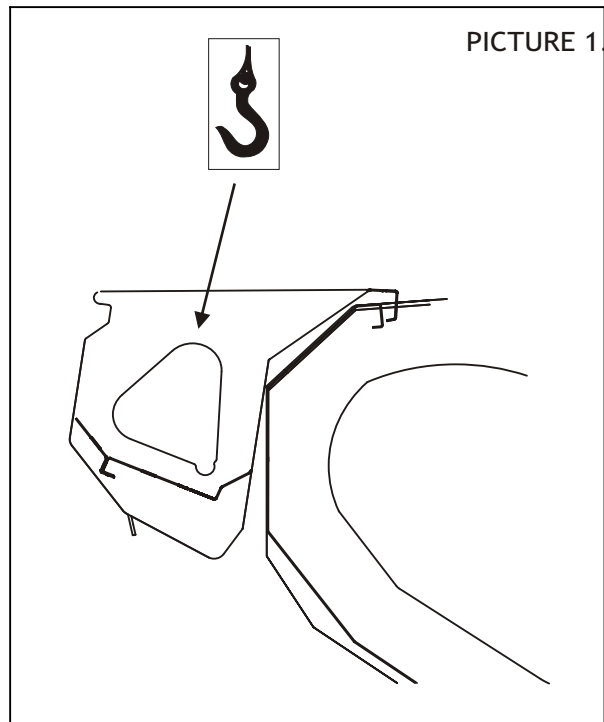
---

pcs

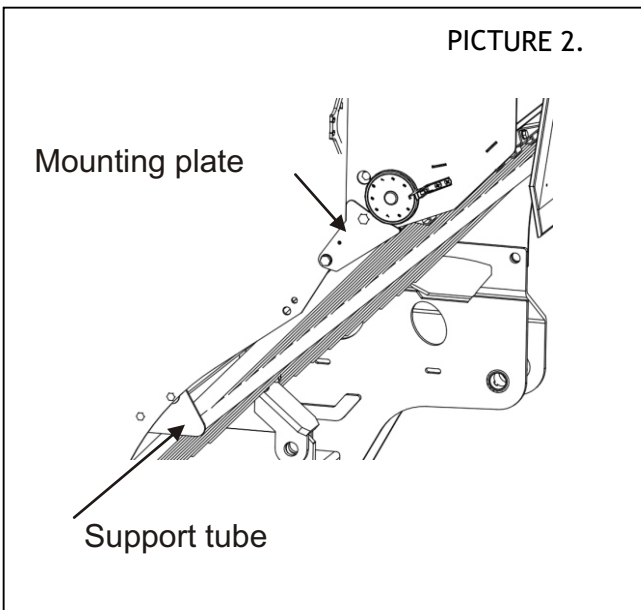
pcs  
pcs

## INSTALLATION

### ATTACHING TO THE MACHINE



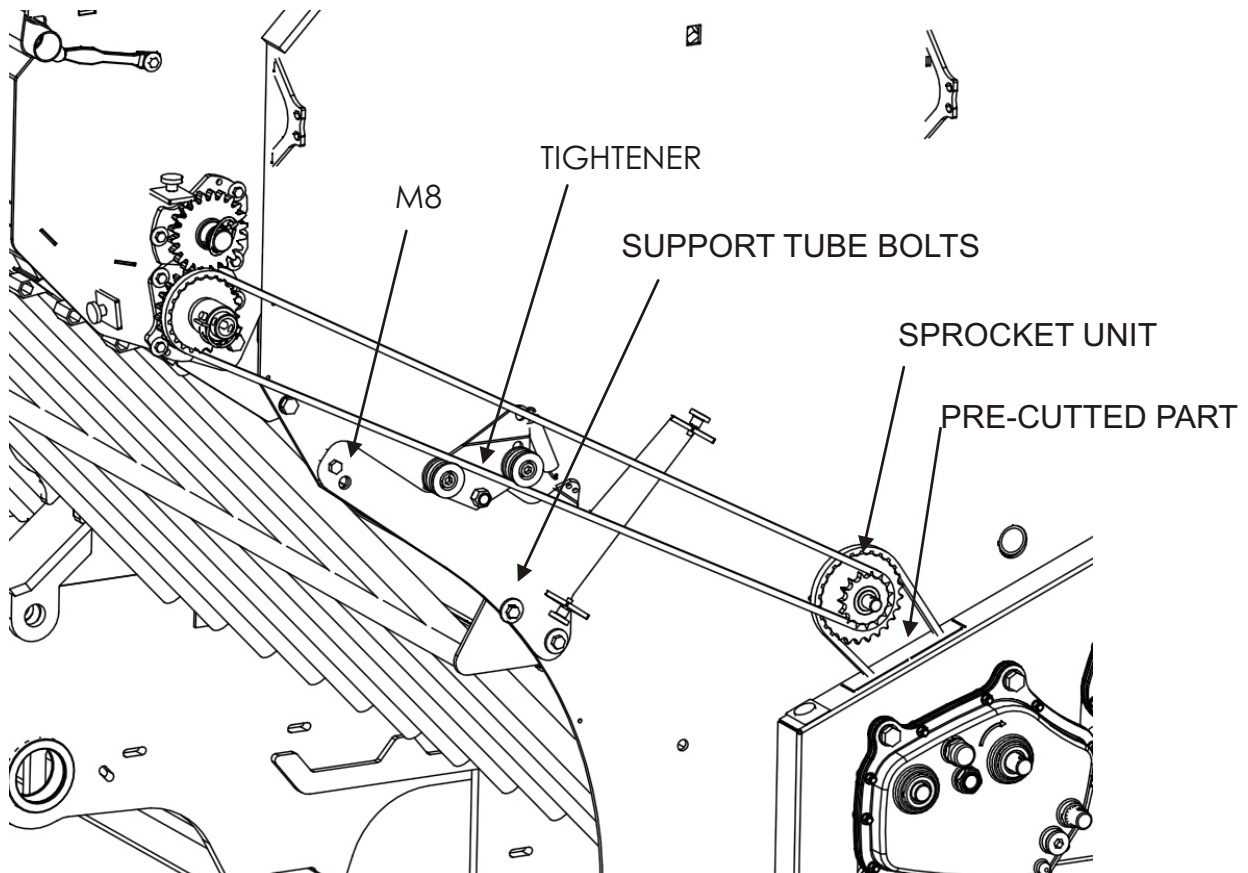
PICTURE 2.



## INSTALLING THE CHAIN TIGHTENER AND SPROCKETS

Bracket where chain tightener is fixed is assembled to the holes in the sidewall of the drill. It's mounted under the fixing bolts of support tube. In addition one M8 bolt and nut is used. Sprocket unit is mounted to the sidewall with 4 M6 bolts. Pre-cutted part is removed from driveline cover.

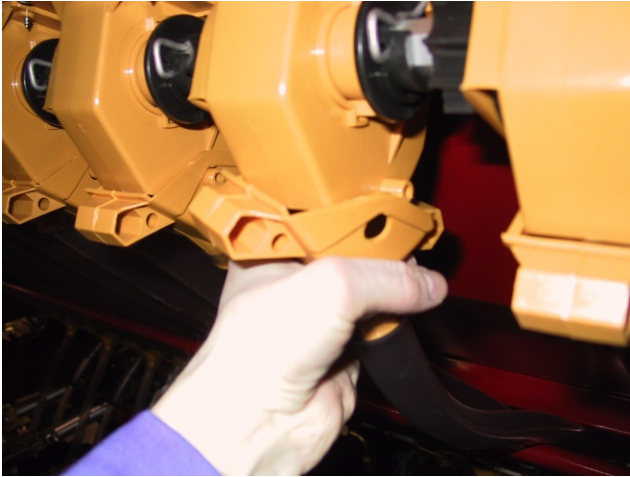
PICTURE 3



---

## MOUNTING OF HOSES

Hoses are mounted so that first other one of the knobs in metering device are placed on the outlet part whole. Then by turning the outlet also other knob locks in its place. Please notice that hoses should go above support tube. Finally lower end of hose is pushed to the fitting in seed metering device.



PICTURE 4



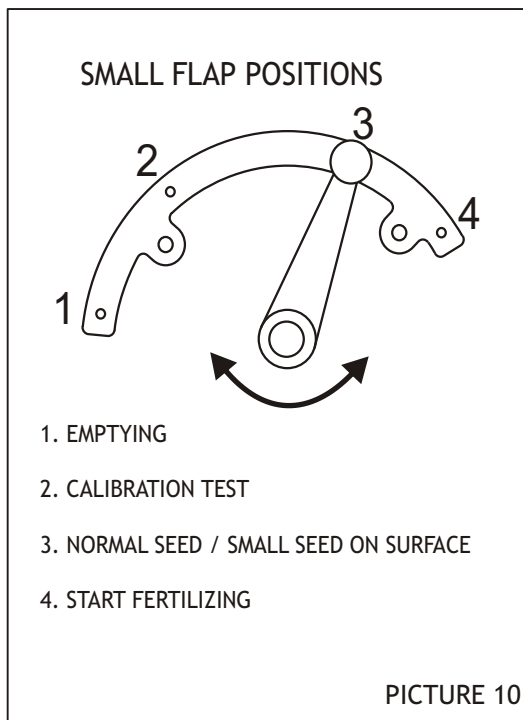
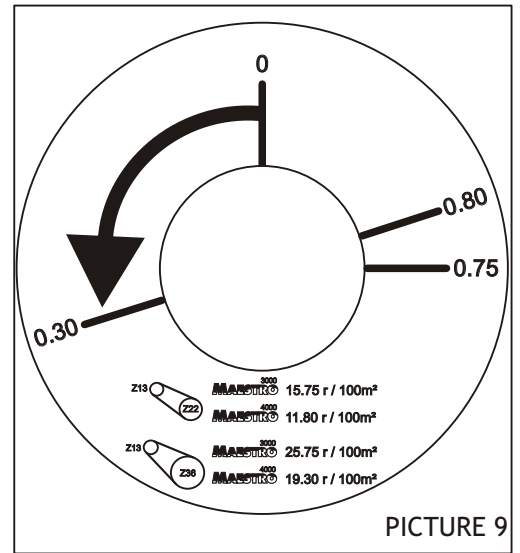
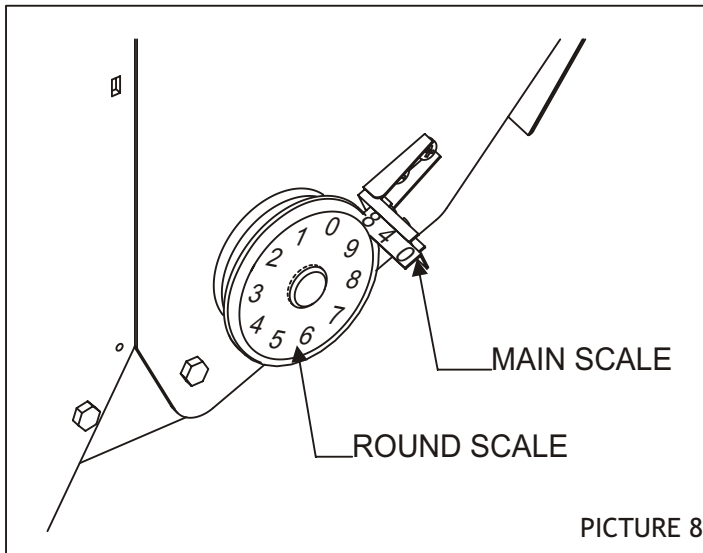
PICTURE 5

STANDARD GEAR 1:1.7	
	<sup>3000</sup> <b>MAESTRO</b> 15.75 r / 100m <sup>2</sup>
	<sup>4000</sup> <b>MAESTRO</b> 11.80 r / 100m <sup>2</sup>

LARGER GEAR 1:2.8	
	<sup>3000</sup> <b>MAESTRO</b> 25.75 r / 100m <sup>2</sup>
	<sup>4000</sup> <b>MAESTRO</b> 19.30 r / 100m <sup>2</sup>



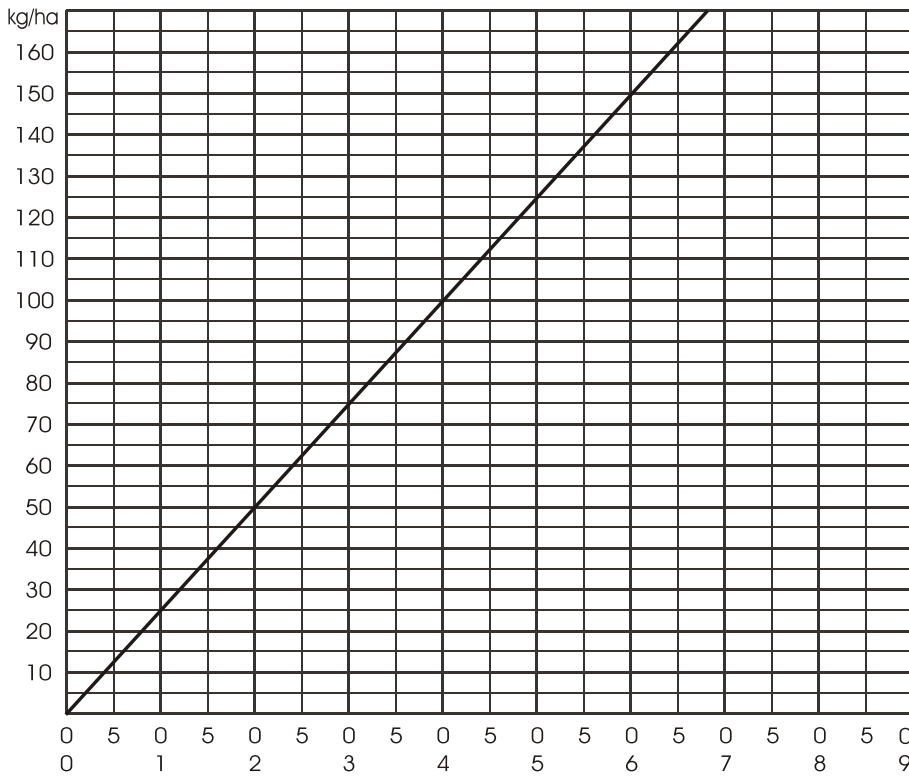




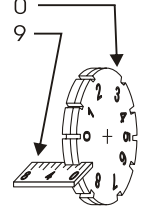
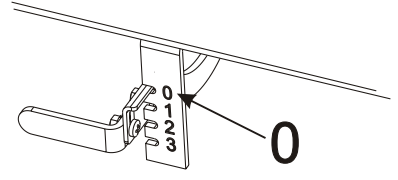
**NOTICE !**

SOWING TABLE OF STARTER FERTILIZER FOR GROUND WHEEL NORMAL GEAR  
Z13/22

Start-P



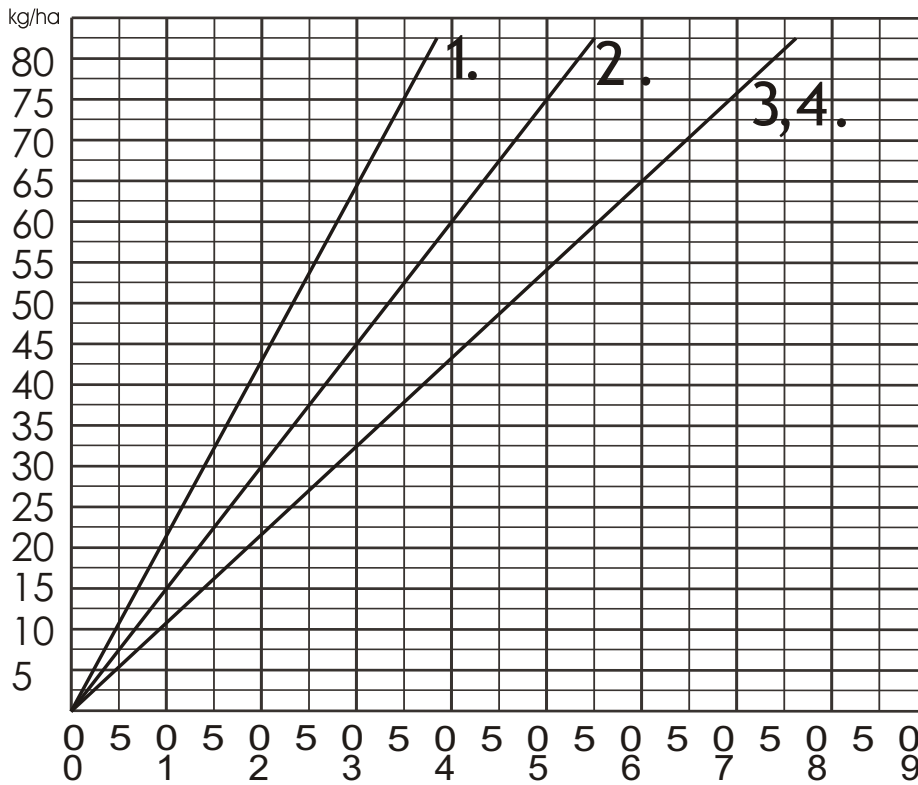
3m 6.5 r/100m<sup>2</sup>  
4m 4.9 r/100m<sup>2</sup>



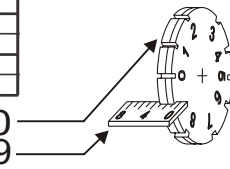
21261

SMALL SEED SOWING TABLE FOR GROUND WHEEL NORMAL GEAR Z13/2

1. Puna-apila/Rödklöver/Red clover/Rotklee
2. Timotei/Timotej/Timothy/Timotheegras
3. Raiheinä/Rai-gräs/Ryegrass/Raigras
4. Nurminata/Ängssvinge/Meadow fescue/Wiesenschwingel



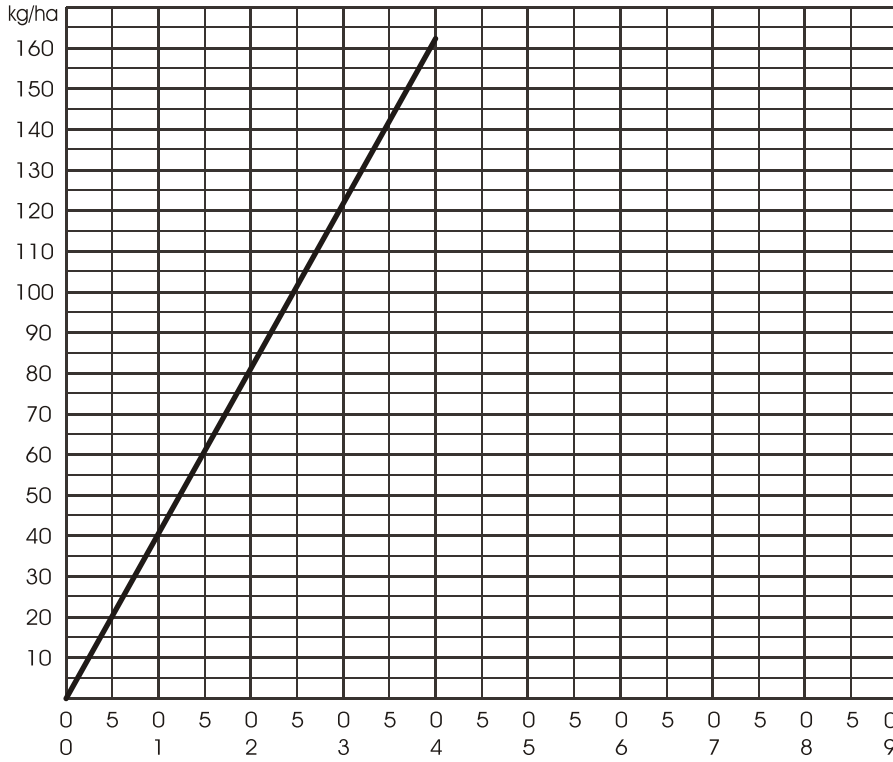
3m 6.5 r/100m<sup>2</sup>  
 4m 4.9 r/100m<sup>2</sup>



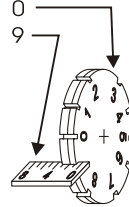
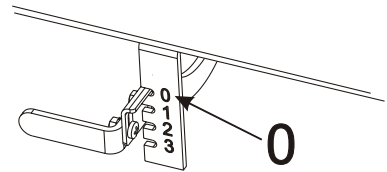
21261

SOWING TABLE FOR STARTER FERTILIZER FOR FAST GROUND WHEEL GEAR Z13/36

Start-P

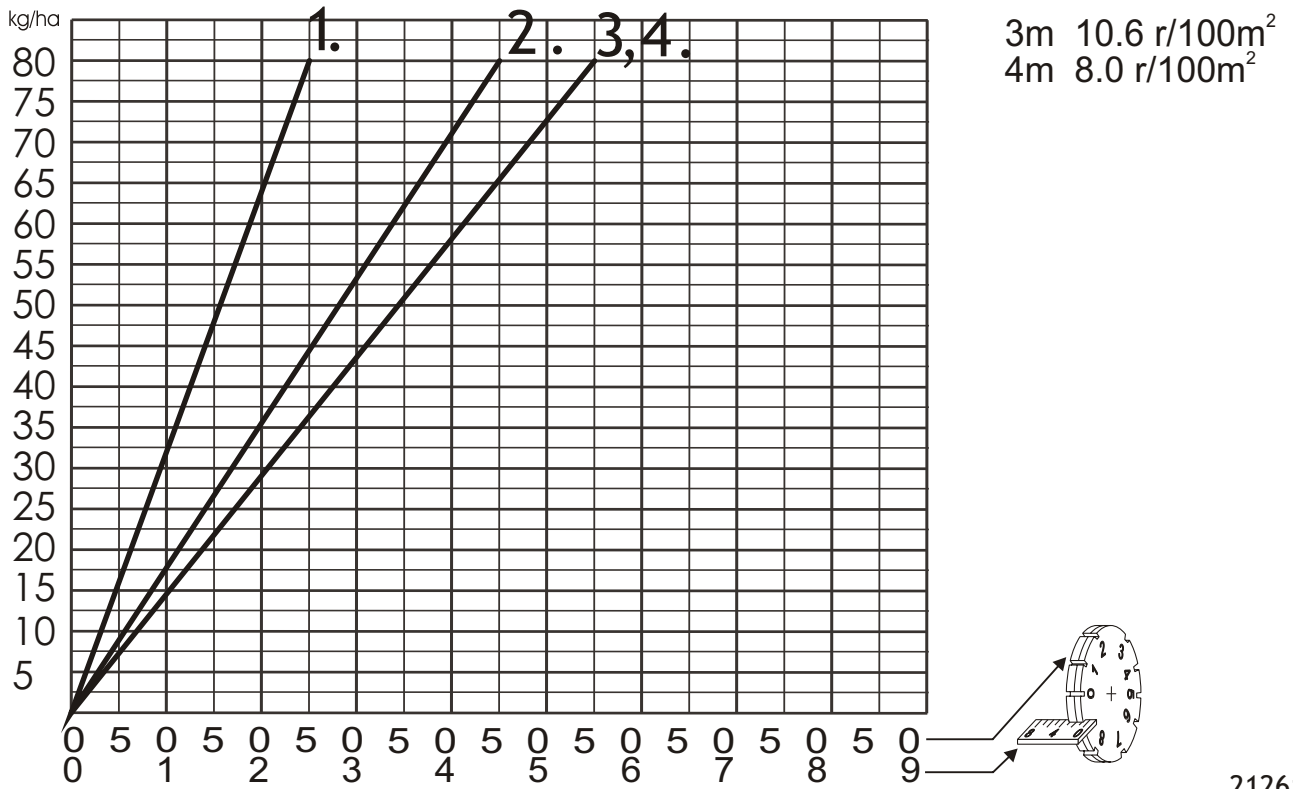


3m 10.6 r/100m<sup>2</sup>  
4m 8.0 r/100m<sup>2</sup>



SMALL SEED SOWING TABLE FOR FAST GROUND WHEEL GEAR Z13/36

1. Puna-apila/Rödklöver/Red clover/Rotklee
2. Timotei/Timotej/Timothy/Timotheegras
3. Raiheinä/Rai-gräs/Ryegrass/Raigras
4. Nurminata/Ängssvinge/Meadow fescue/Wiesenschwingel

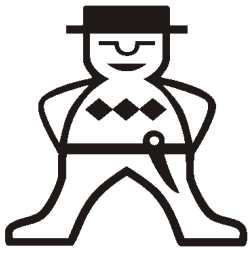


21261

---

Example:

*NOTE THAT THE VALUES IN THE SOWING TABLE ARE INTENDED AS A GUIDE DUE TO THE DIFFERENT COMPOSITION, SEED DRESSING ETC. OF THE MATERIAL TO BE SOWED.*



# Junkkari

**MAESTRO** *Plus*  
3000  
4000  
◆◆◆ Junkkari

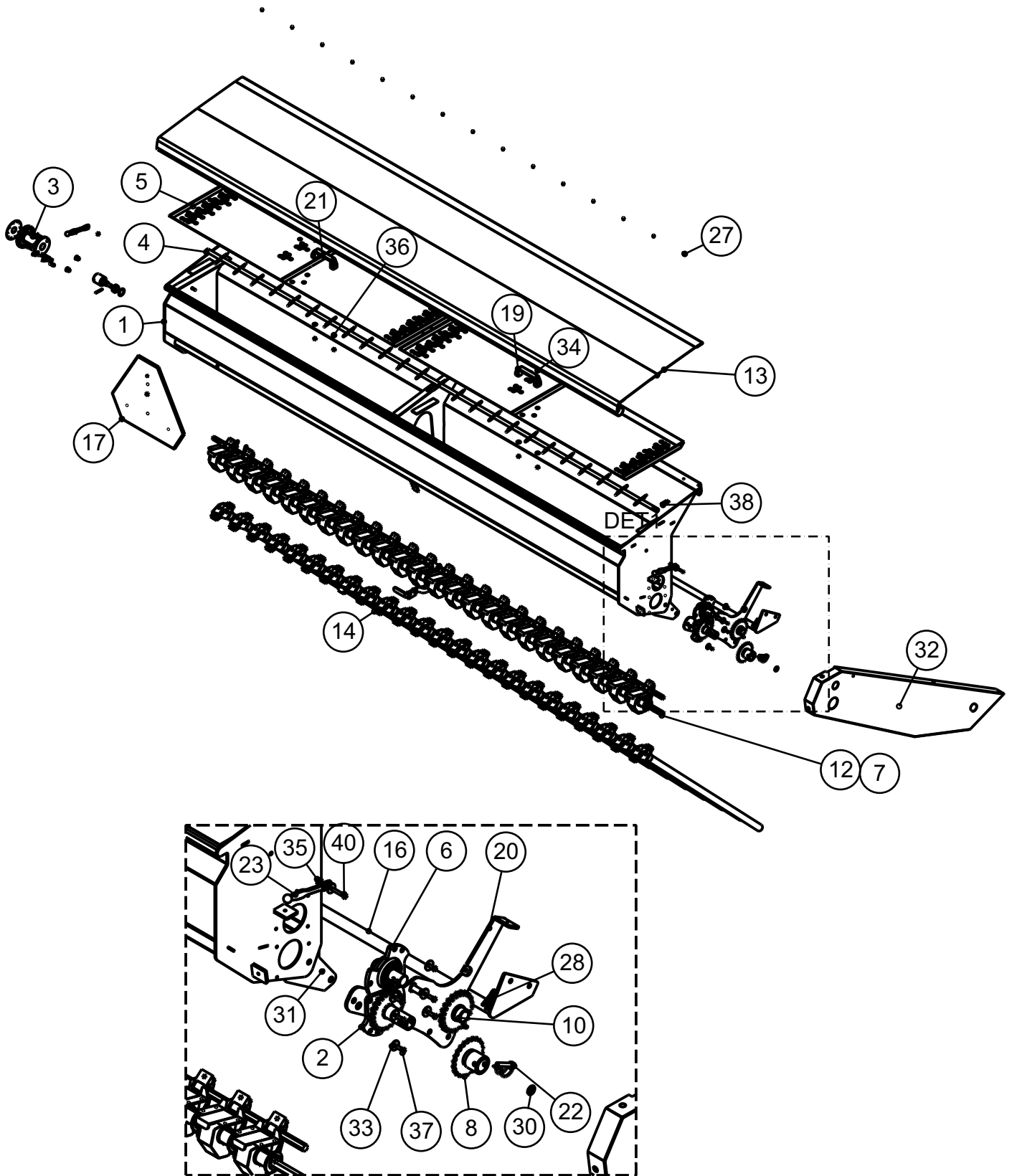
## SMALL SEED BOX

## SPARE PART PICTURES

MAPSL11\_EN

ENGLISH   
15

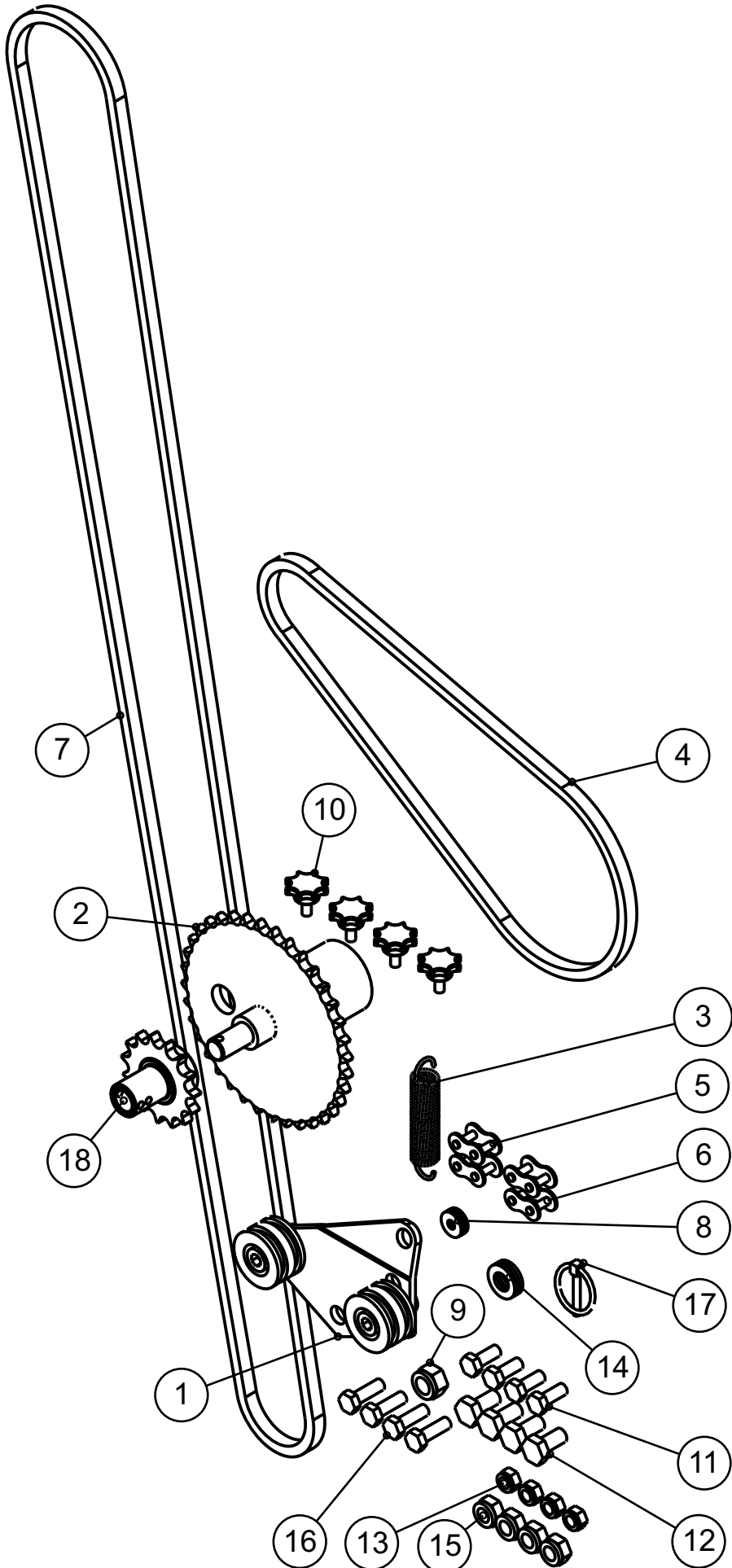
# HOPPER





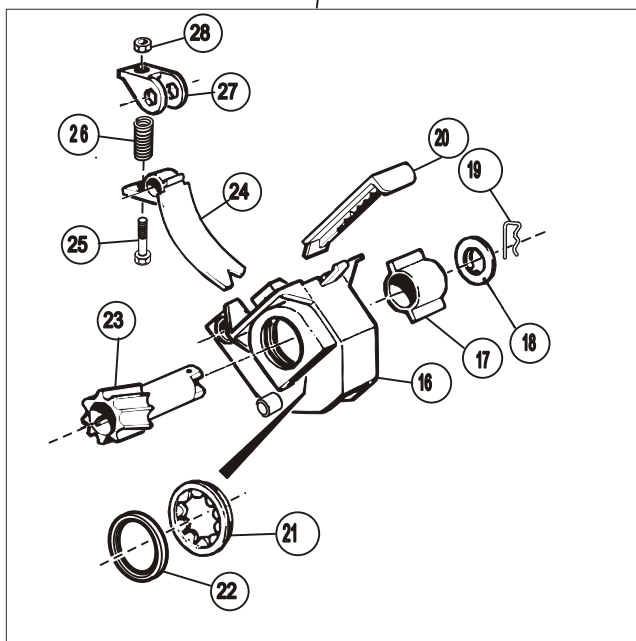
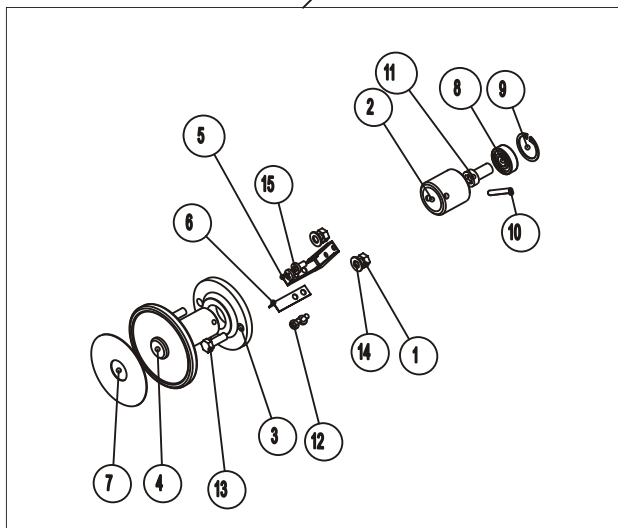
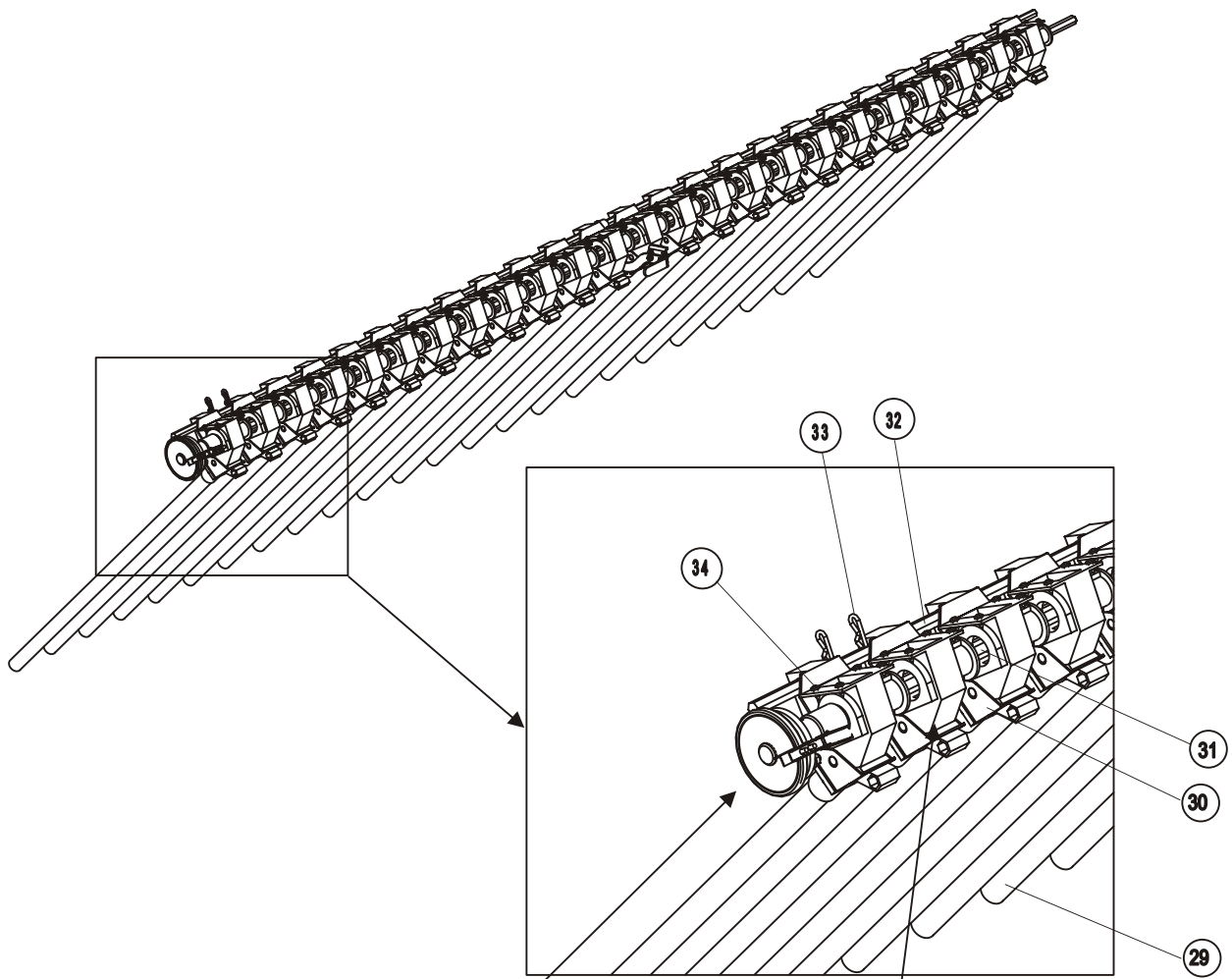
PART CODE	NAME	PCS 3000	PCS 4000
1	17805 HOPPER. 3000	1	
	18280 HOPPER. 4000		1
2	22375 SPROCKET Z22	1	1
3	17942 ADJUSTING SCREW	1	1
4	17830 MIXING AXLE. 3000	1	
	18285 MIXING AXLE. 4000		1
5	17812 SIEVE 3000	2	
	18322 SIEVE. 4000		2
6	22376 GEAR WHEEL	1	1
7	A670A9824 SCREW	96	128
8	17822 SPROCKET Z22	1	1
10	18288 GEARWHEEL	1	1
12	17796 METERING DEVICES ASSY. 3000	1	
	18284 METERING DEVICES ASSY.. 4000		1
13	20999 COVER 3000	1	
	20646 COVER 4000		1
14	17783 OUTLET	24	32
15	E51331 SEALING	1	1
16	18807 SUPPORT 3000	1	
	18324 SUPPORT 4000		1
17	18406 TRIANGLE	1	1
18	18320 DECALS 3000	1	
	18327 DECALS 4000		1
19	D30100 HANDLE	1	1
20	20828 FRAME PART	1	1
21	D30100 HANDLE	1	1
22	BEC000003 RING PIN	1	1
23	E74337 RUBBER HOLDER	2	2
24	A080S1514 SCREW M8X25 8.8 DIN933 ZN	4	4
25	B5C0R2024 WASHER M12 DIN125A ZN	1	1
26	B580V1544 WASHER M 8 DIN440R ZN	8	8
27	D40002210 POP-NIITTI KUPU 4,8X10 AL/ST	15	20
28	BE6000002 RING PIN 6X40 L=40 ZN	1	1
30	B5A0MB024 WASHER M10 DIN125A ZN	1	1
31	20678 MOUNTING PART	2	2
32	20682 COVER 2010	1	1
33	B560N1524 WASHER M 6 DIN440R ZN	8	8
34	A04610 SCREW. M8X20 A2 DIN 912 AISI	8	8
35	A50652 NUT M8 A2 DIN934 AISI	4	4
37	A02195 SCREW M6X16 A2 DIN 933 AISI	6	6
38	B86160001 PIN 6X36 DIN1481 ZNC	2	2
39	A50710 NUT IL M8 A2 DIN985 AISI	4	4
40	A06151514 SCREW M6X35 8.8 DIN 933 ZN	2	2

DRIVELINE



PART CODE	NAME	PCS	PCS	
		3000	4000	
1	17825	TIGHTENER	1	1
2	20677	INTERMEDIATE AXEL	1	1
3	D14105	SPRING 2.25*18*90 4-9208	1	1
4	20672	ROLL CHAIN 1/2"	1	1
5	D30000165	COUPLING 1/2In Iso R606-08B	2	2
6	D30000178	COUPLING 1/2In Iso R606-08B	2	2
7	20673	ROLL CHAIN 1/2"	1	1
8	B560N1524	WASHER M 6 Din9021 Zn	4	4
9	AGC113014	NUT II M12 Din985-8 Zn	1	1
10	A01560	SCREW M*6X10 /32799900	4	4
11	A080L1514	SCREW M8X20 8.8 Din 933 Zn	4	4
12	A0A0L1514	SCREW M10X20 8.8 Din933Zn	4	4
13	AG8113014	NUT II M 8 Din985-8 Zn	4	4
14	B5C0R2024	WASHER M12 Din125A Zn	3	3
15	AGA113014	NUT II M10 Din985-8 Zn	4	4
16	A080S1514	SCREW M8X25 8.8 Din933 Zn	4	4
17	BE4500002	RING PIN 4,5X32 Zn	1	1
18	20984	SPROCKET	1	1

# METERING DEVICES



<b>PART</b>	<b>CODE</b>	<b>NAME</b>	<b>PCS 3000</b>	<b>PCS 4000</b>
1	AG8111014	NUT M 8 DIN934-8 ZN	2	2
2	17418	HOUSING	1	1
3	D160304	NUT 4-7738	1	1
4	160302	HANDLE	1	1
5	160301	BRACKET	1	1
6	13944	SCALE	1	1
7	135210000	SCALE	1	1
8	CE62012RS	BEARING 6201 2 RS	1	1
9	BH1210L11	LOCK RING 32X1.2 DIN472	1	1
10	B851A0001	PIN 5X40 DIN1481 ZNC	1	1
11	A0C0S4524	SCREW M12X25 8.8 DIN912 ZN	1	1
12	A00750	SCREW M5X10 A2 DIN 7985 POZ	2	2
13	53060140	SCREW M8 X25 8.8 DIN 933 ZN	2	2
14	B580H1624	WASHER M 8 DIN125A ZN	2	2
15	A060A9024	SCREW. M6X10 4.8 DIN7985 ZN POZ	2	2
16	125058	FEEDING HOUSING	24	32
17	125059	BUSHING	24	32
18	125060	PLATE	24	32
19	125055	PIN	24	32
20	125057	FLAP	24	32
21	125062	SEALING	24	32
22	125063	LOCK RING	24	32
23	125054	FEEDING ROLLER	24	32
24	125070	BOTTOM FLAP	24	32
25		SCREW M5*35	24	32
26	125073	SPRING	24	32
27	125072	ADJUSTMENT PART	24	32
28	AG5111811	NUT M5 A2 DIN934 AISI	24	32
29	17790	HOSE L=905	24	32
30	D30119	OUTLET 3-13294	24	32
31	17829	FEEDING AXLE 3000	1	
	18283	FEEDING AXLE 4000		1
32	17561	BOTTOM FLAP AXLE 3000	1	
	18142	BOTTOM FLAP AXLE 4000		1
33	D32100000	PIN 4-5934	2	2
34	A670A9824	SCREW. 4.8*13 A2 DIN7981C POZ AISI	96	128