

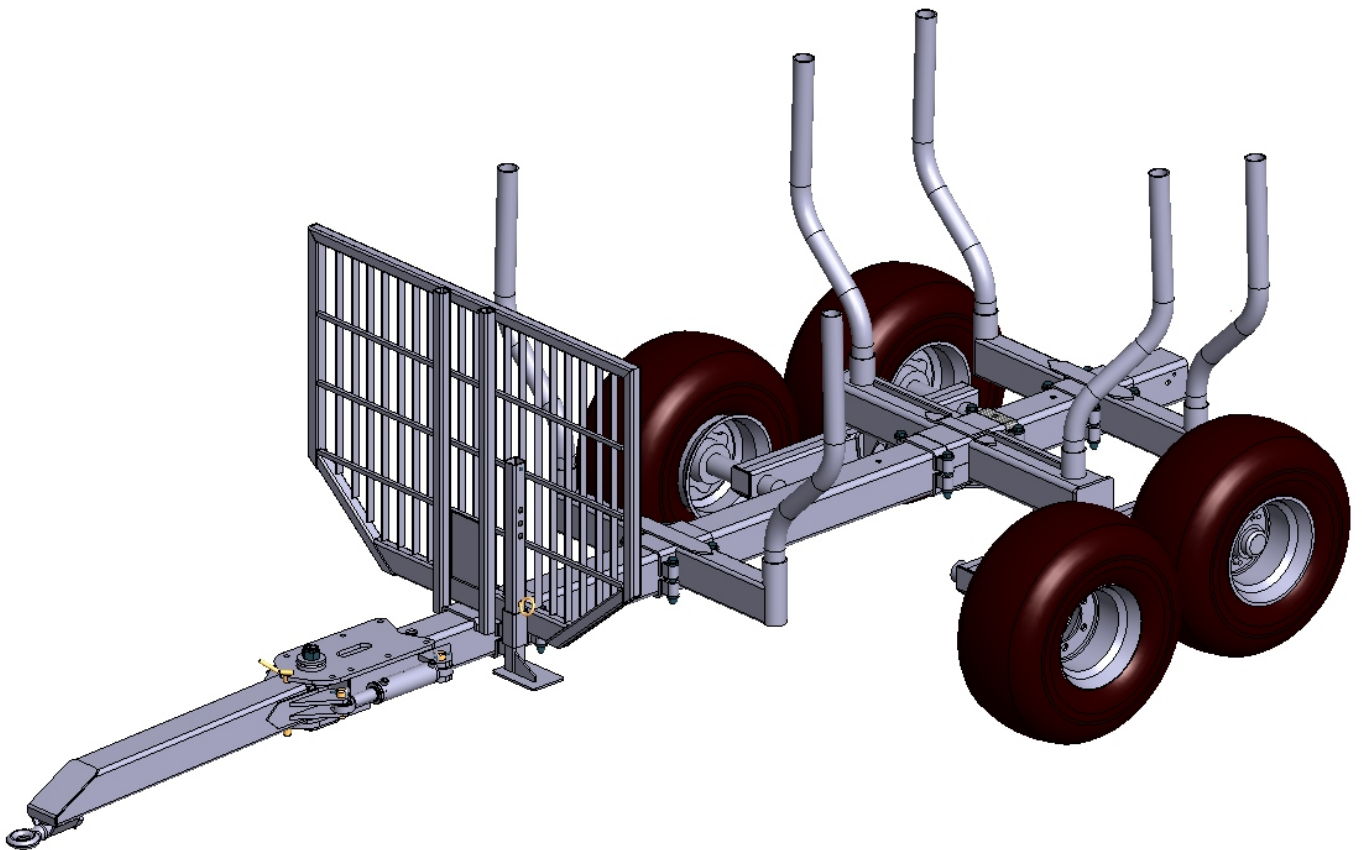


Junkkari

Patruuna

METSÄPERÄVAUNU TRAILER

9+

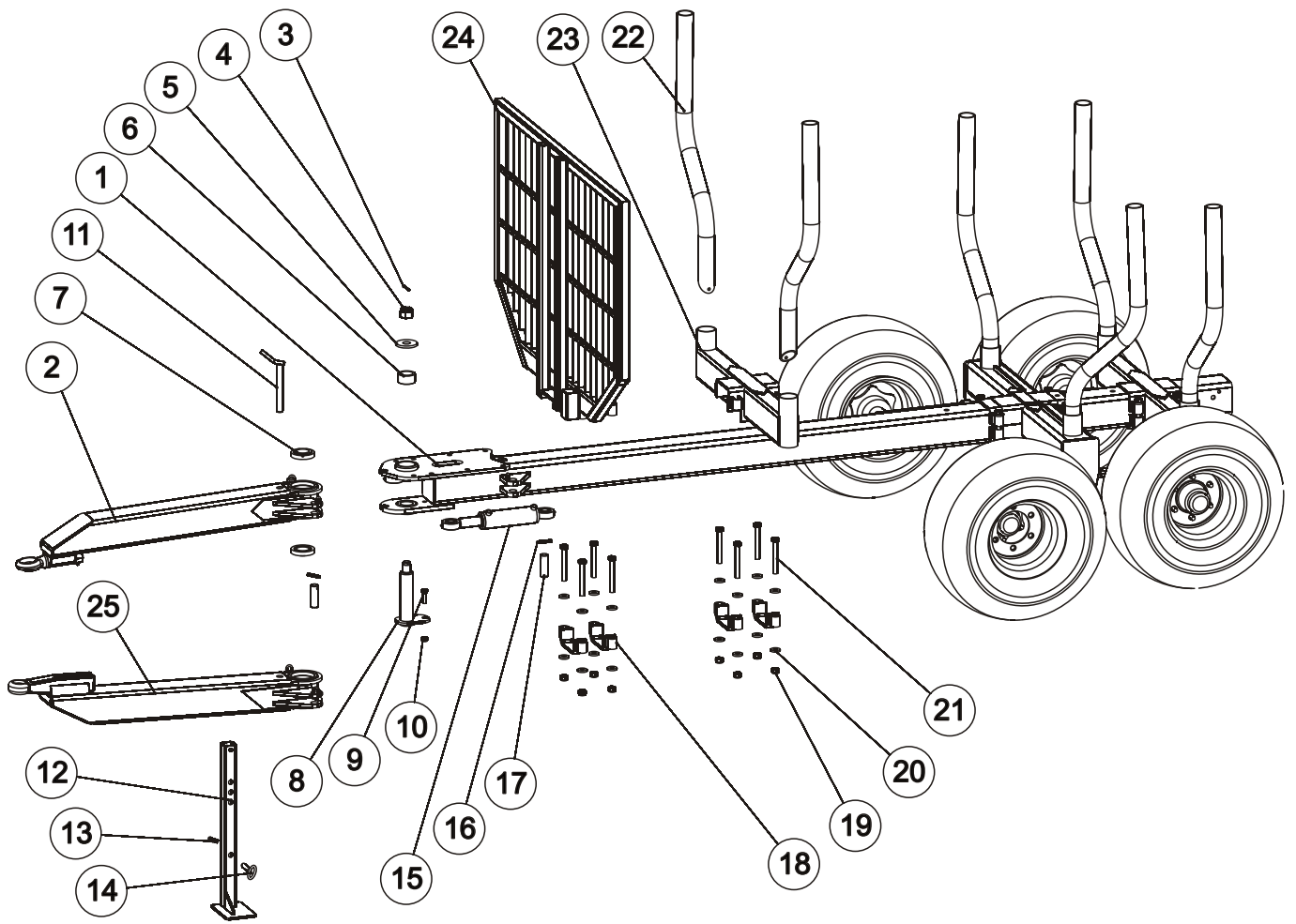


VARAOSALUETTELO SPARE PARTS CATALOGUE

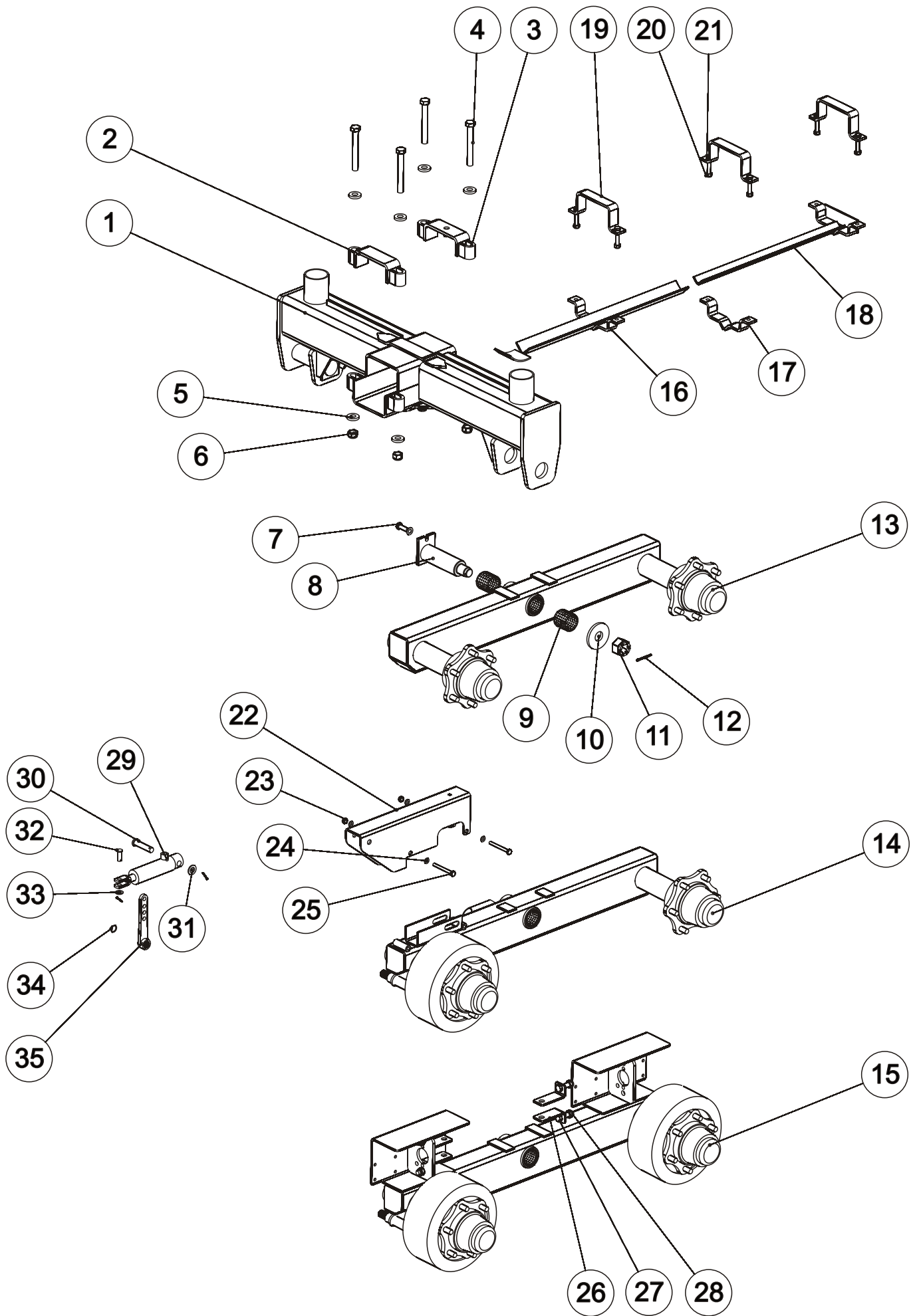
872002P

Junkkari Oy
62375 YLIHÄRMÄ FINLAND
TEL. +358-(0)10 480 2200
FAX +358-(0)10 480 2295
e-mail: junkkari@msk.fi
Internet: www.junkkari.fi

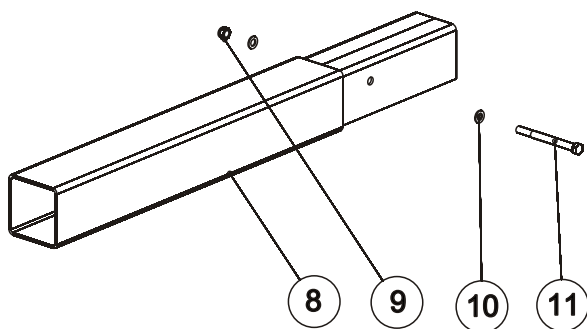
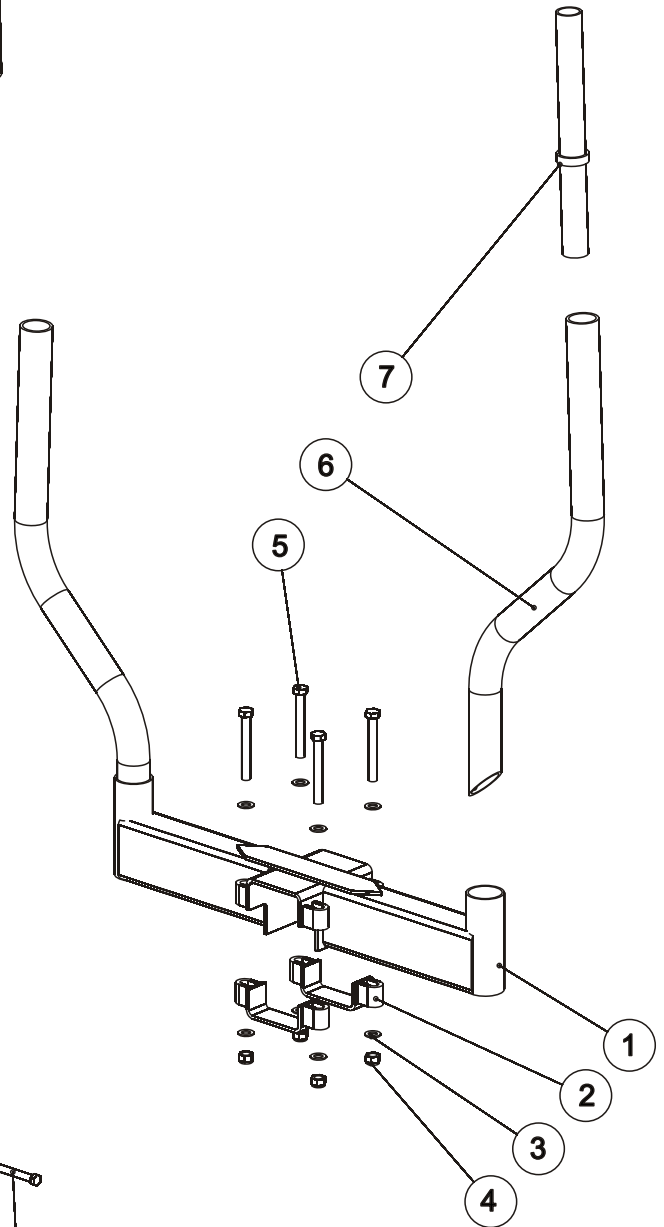
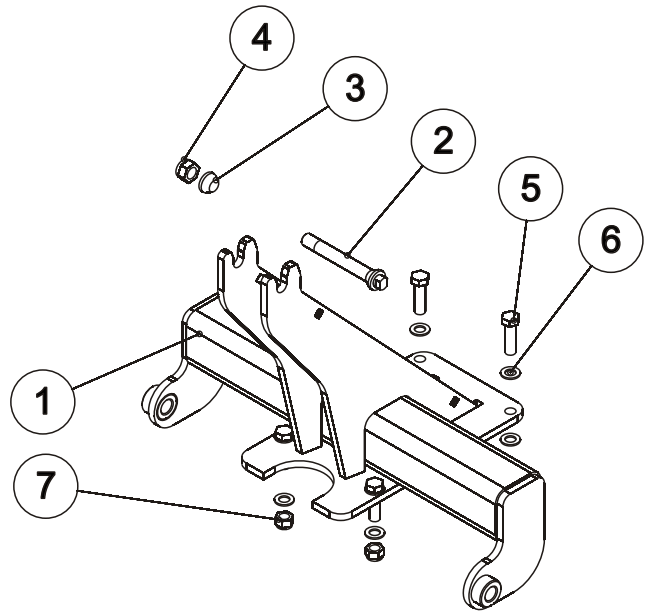
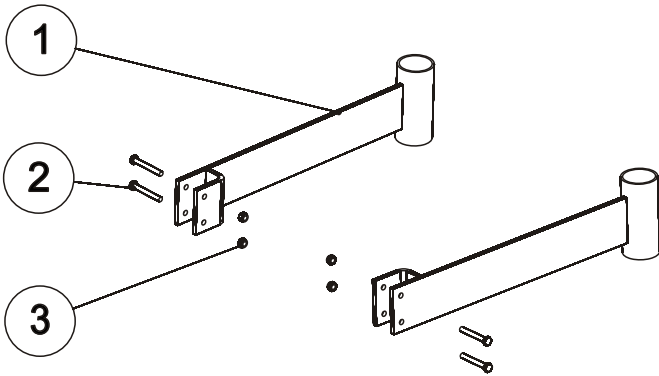




| OSA REF | VARAOSA NRO PART NO | TYYPPI CODE | NIMITYS | DESCRIPTION | KPL PCS |
|------------|------------------------|----------------|--------------------------|-----------------|------------|
| 1 | 872050P | | RUNKO | BODY | 1 |
| 2 | 872120P | | VETOPUOMI | DRAFT BOOM | 1 |
| 3 | BA5200004 | | SAKSISOKKA | SPILT PIN | 3 |
| 4 | E73742 | M36 | KRUUNUMUTTERI | CASTELLATED NUT | 3 |
| 5 | 867190P | 100/37-10 | ALUSLEVY | WASHER | 3 |
| 6 | 869312P | | KIRISTYSHOLKKI | COLLAR | 1 |
| 7 | 137202P | | KARTIORULLALAAKERI | BEARING | 2 |
| 8 | 869335P | | NIVELTAPPI | PIN | 1 |
| 9 | A0G1S1514 | M16X55 | RUUVI | BOLT | 1 |
| 10 | AGG113014 | M16 | MUTTERI | NUT | 1 |
| 11 | 867150P | | LUKKOTAPPI | PIN | 1 |
| 12 | 872078P | | SEISONTAJALKA | SUPPORT LEG | 1 |
| 13 | BD3011404 | 4 MM | NEULASOKKA | ROLL PIN | 1 |
| 14 | 862150P | | JALAN LUKKOTAPPI | PIN | 1 |
| 15 | 403700P | | KÄÄNTÖSYLINTERI | CYLINDER | 1 |
| 16 | B8A2A0004 | 10X70 | JOUSISOKKA | ROLL PIN | 4 |
| 17 | 869050P | | SYLINTERIN TAPPI | PIN | 4 |
| 18 | 872085P | | KIINNITYSSINKILÄ | STAP PLATE | 7 |
| 19 | AGL113014 | M20 | MUTTERI | NUT | 16 |
| 20 | A49M20C | M20 | ALUSLEVY | WASHER | 32 |
| 21 | A0L201004 | M20X160 | RUUVI | BOLT | 16 |
| 22 | 872070P | | TOLPPA | POST | 6 |
| 23 | 872155P | | SIIRTOPANKKO | CENTRE BEAM | 2 |
| 24 | 872180P | | ETUSERMI | FRONT QUARD | 1 |
| 25 | 872130P | | VETOPUOMI KIIINTEÄ SILMÄ | DRAFT BOOM | 1 |



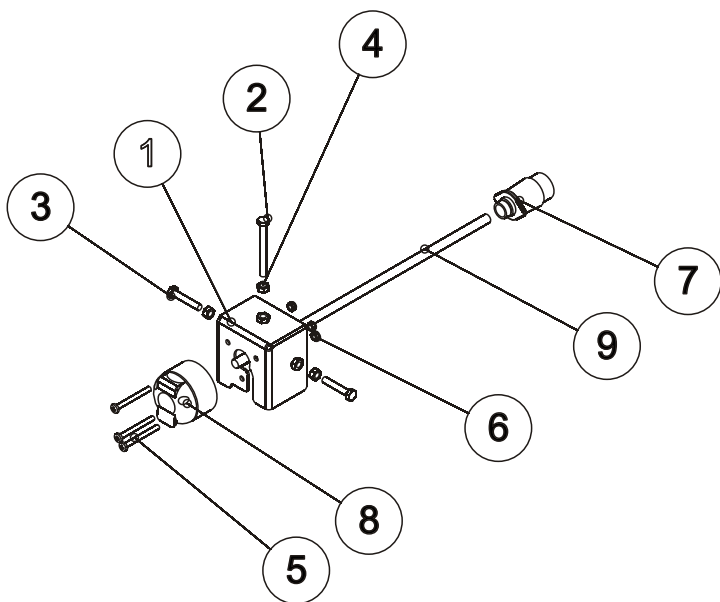
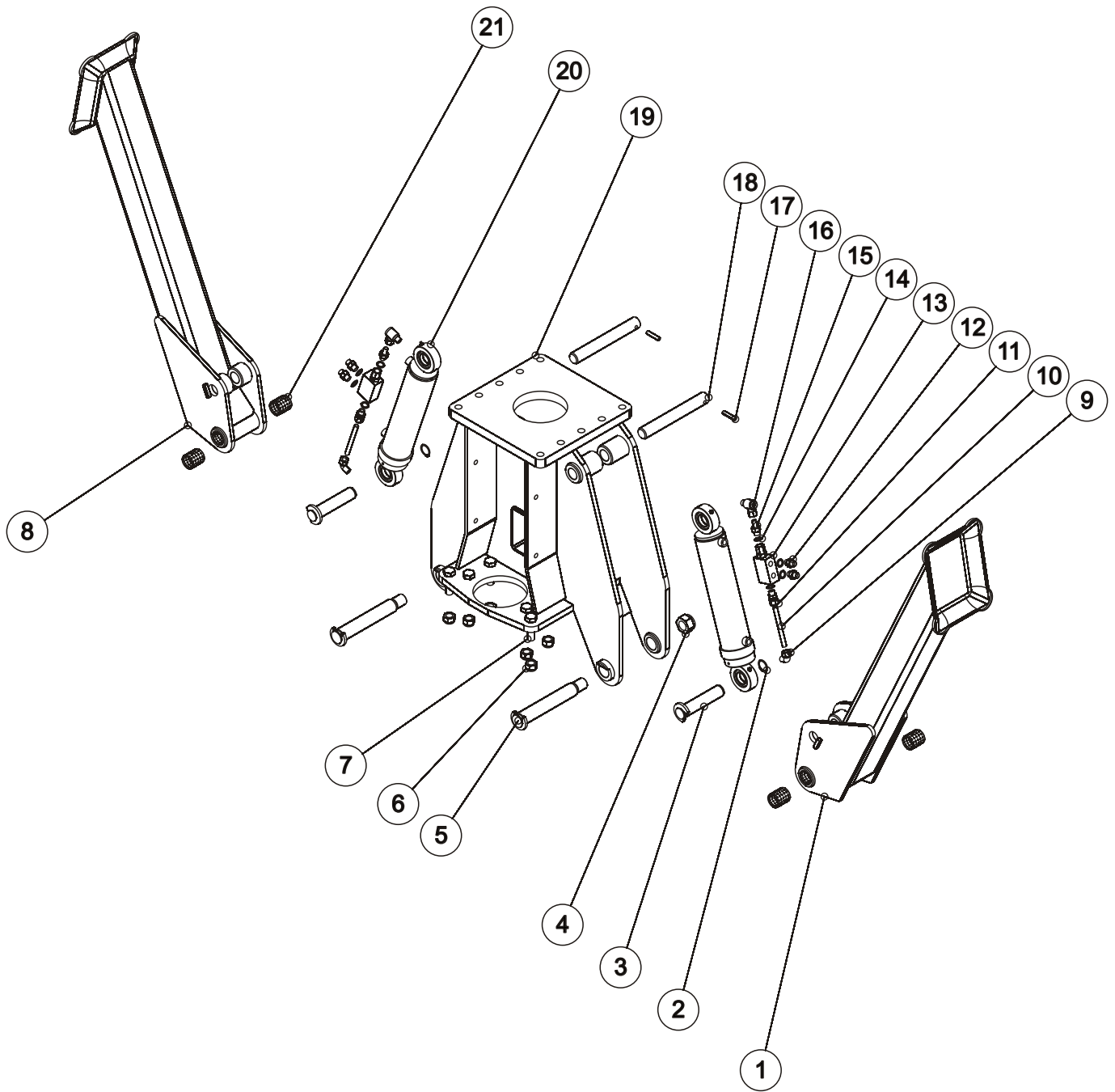
| OSA REF | VARAOSA NRO PART NO | TYYPPI CODE | NIMITYS | DESCRIPTION | KPL PCS |
|------------|------------------------|-----------------|----------------------------|-----------------|------------|
| 1 | 872100P | | TELIPANKKA | | 1 |
| 2 | 872085P | | KIINNITYSSINKILÄ | STAP PLATE | 1 |
| 3 | 872083P | | KIINNITYSSINKILÄ LUKITSEVA | STAP PLATE LOCK | 1 |
| 4 | A0L501004 | M20X160 | RUUVI | BOLT | 4 |
| 5 | A49M20V | M20 | ALUSLEVY | WASHER | 8 |
| 6 | AGL113014 | M20 | MUTTERI | NUT | 4 |
| 7 | A0C0S1512 | M16X25 | RUUVI | RUUVI | 1 |
| 8 | 872160P | | TELIKEINUN AKSELI | AXLE | 2 |
| 9 | 127640P | 65/60 P6/B9..60 | LAAKERIHOLKKI | BUSHING | 4 |
| 10 | 867190P | 100/38-10 | ALUSLEVY | WASHER | 2 |
| 11 | E73742 | M36 | KRUUNUMUTTERI | CASTELLATED NUT | 2 |
| 12 | BA5200004 | | SAKSISOKKA | ROLL PIN | 4 |
| 13 | 872139P | | TELIKEINU JARRUTON | BOGIE | 2 |
| 14 | 872144P | | TELIKEINU 2-P JAR. VASEN | BOGIE LEFT | 1 |
| 14 | 872143P | | TELIKEINU 2-P JAR. OIKEA | BOGIE RIGHT | 1 |
| 15 | 872140P | | TELIKEINU 4-P.JAR. | BOGIE | 2 |
| 16 | 872210P | | LETKUN SUOJA | HOSE COVER | 1 |
| 17 | 872212P | | SINKILÄ ALAPUOLI | STAP PLATE DOWN | 1 |
| 18 | 872211P | | LETKUN SUOJA | HOSE COVER | 1 |
| 19 | 872219P | | SINKILÄ YLÄPUOLI | STAP PLATE UP | 3 |
| 20 | AGC113014 | M12 | MUTTERI | NUT | 6 |
| 21 | A0C201514 | M12X60 | RUUVI | BOLT | 6 |
| 22 | 872245P | | JARRUSYLINTERIN SUOJA | CYLINDER COVER | 2 |
| 23 | A51151 | M10 | MUTTERI | NUT | 4 |
| 24 | B5A0MB024 | M10 | ALUSLEVY | WASHER | 8 |
| 25 | A0A3A1014 | M10X100 | RUUVI | BOLT | 4 |
| 26 | 872357P | | KORVAKE | STAP PLATE | 8 |
| 27 | A0G1A1514 | M16X40 | RUUVI | BOLT | 8 |
| 28 | AGG113014 | M16 | MUTTERI | NUT | 8 |
| 29 | D917PIST.25 | | JARRUSYLINTERI | BRAKE CYLINDER | 4 |
| 30 | 26845 | | JARRUSYLINTERIN TAPPI | PIN | 4 |
| 31 | B5L173024 | M20 | ALUSLEVY | WASHER | 4 |
| 32 | 26847 | | JARRUSYLINTERIN TAPPI | PIN | 4 |
| 33 | B5E0T2024 | M14 | ALUSLEVY | WASHER | 4 |
| 34 | BH0S10S14 | 25X1.2 | SEGER | SEGER | 2 |
| 35 | D909F26 | | JARRUVIPU | BRAKE LEVER | 2 |



| OSA REF | VARAOSA NRO PART NO | TYYPPI CODE | NIMITYS | DESCRIPTION | KPL PCS |
|------------|------------------------|----------------|---------------------|------------------|------------|
| 1 | 882960P | | AISASOVITUS | TOW BAR MOUNTING | 1 |
| 2 | 882870P | | TYÖNTÖVARREN AKSELI | AXLE | 1 |
| 3 | 882872P | | KIRISTYSHOLKKI | COLLAR | 1 |
| 4 | AGR113014 | M24 | MUTTERI | NUT | 1 |
| 5 | A13821 | M20X70 | RUUVI | BOLT | 6 |
| 6 | B5L173024 | M20 | ALUSLEVY | WASHER | 12 |
| 7 | AGL113014 | M20 | MUTTERI | NUT | 6 |

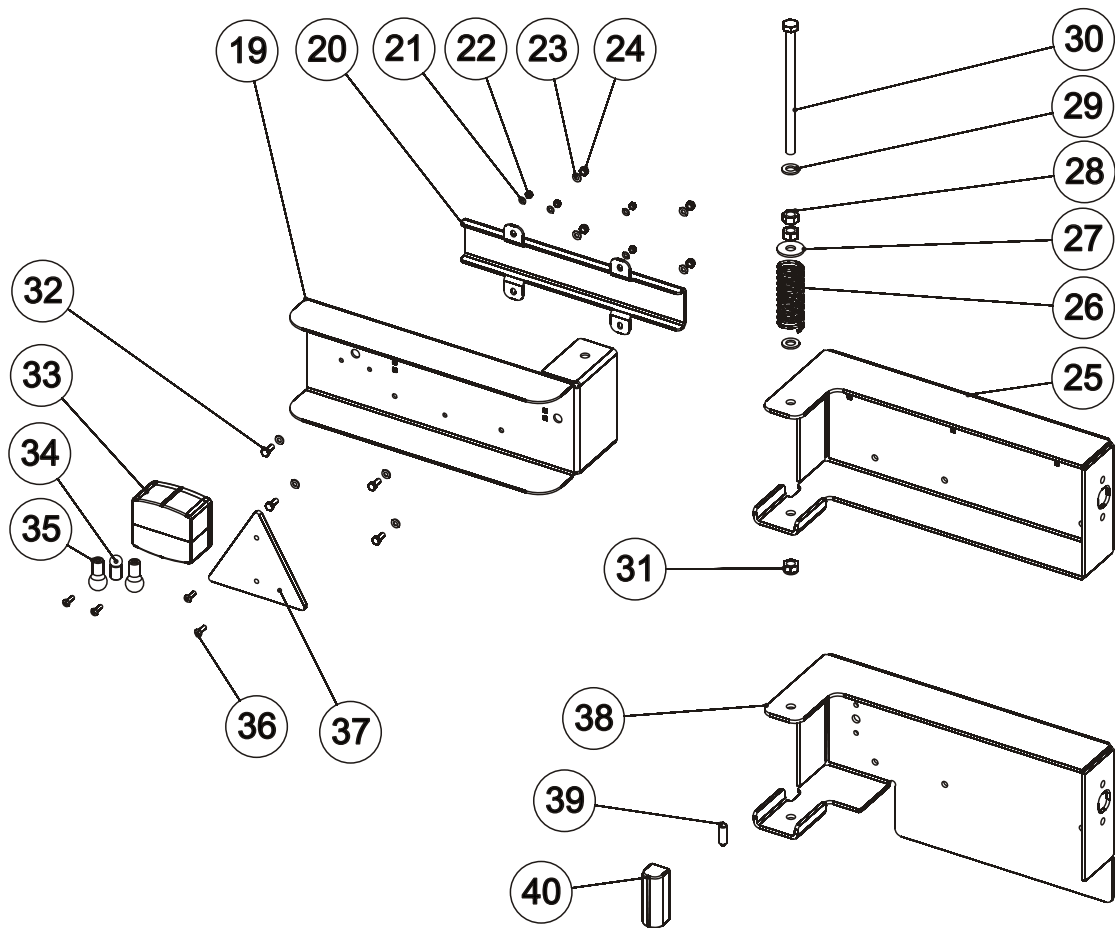
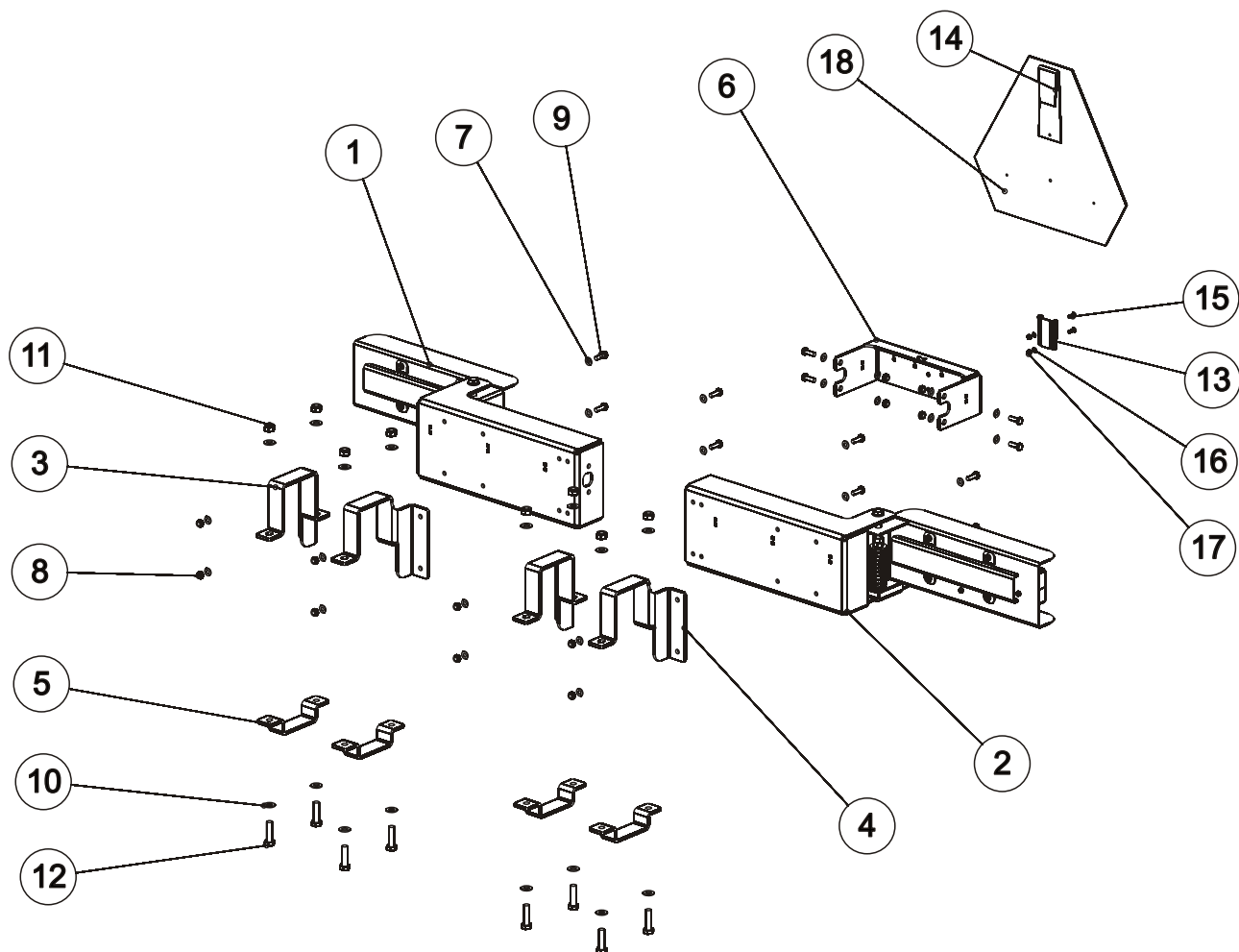
| OSA REF | VARAOSA NRO PART NO | TYYPPI CODE | NIMITYS | DESCRIPTION | KPL PCS |
|------------|------------------------|----------------|----------------|----------------------|------------|
| 1 | 865510P | | ETUSERMIN TUKI | STAKE SCREEN SUPPORT | 2 |
| 2 | A0C301514 | M12X90 | RUUVI | BOLT | 4 |
| 3 | AGC113014 | M12 | MUTTERI | NUT | 4 |

| OSA REF | VARAOSA NRO PART NO | TYYPPI CODE | NIMITYS | DESCRIPTION | KPL PCS |
|------------|------------------------|----------------|------------------|----------------|------------|
| 1 | 874050P | | SIIRTOPANKKO | CENTER BEAM | 1 |
| 2 | 874052P | | KIINNITYSSINKILÄ | STAP PLATE | 2 |
| 3 | A49M20C | M20 | ALUSLEVY | WASHER | 8 |
| 4 | AGL113014 | M20 | MUTTERI | NUT | 4 |
| 5 | A0L501004 | M20X160 | RUUVI | BOLT | 4 |
| 6 | 872070P | | TOLPPA | POST | 2 |
| 7 | 872965P | | JATKOTOLPPA | POST | 2 |
| 8 | 874070P | | RUNGON JATKE | EXTENSION BODY | 1 |
| 9 | AGG113014 | M16 | MUTTERI | NUT | 1 |
| 10 | B5G102524 | M16 | ALUSLEVY | WASHER | 2 |
| 11 | A0G601524 | M16X160 | RUUVI | BOLT | 1 |

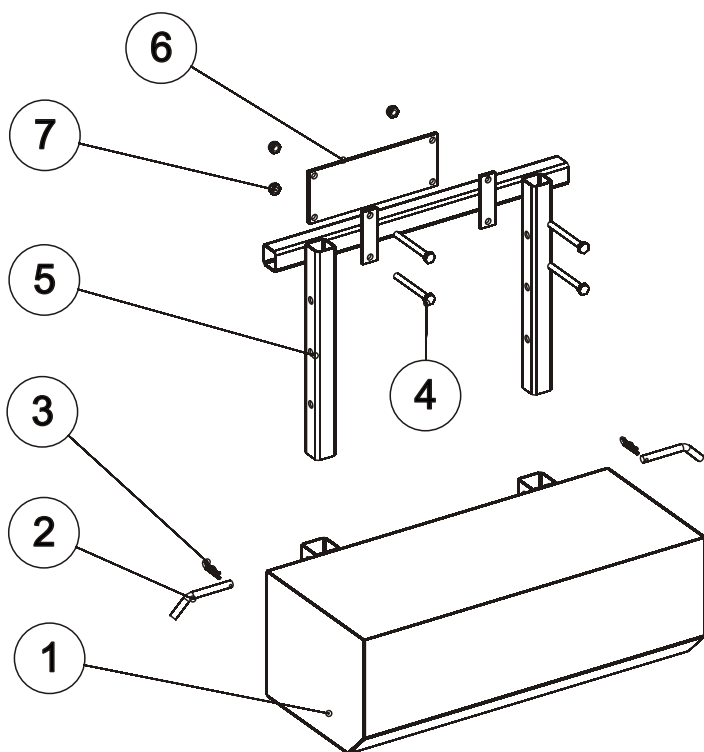
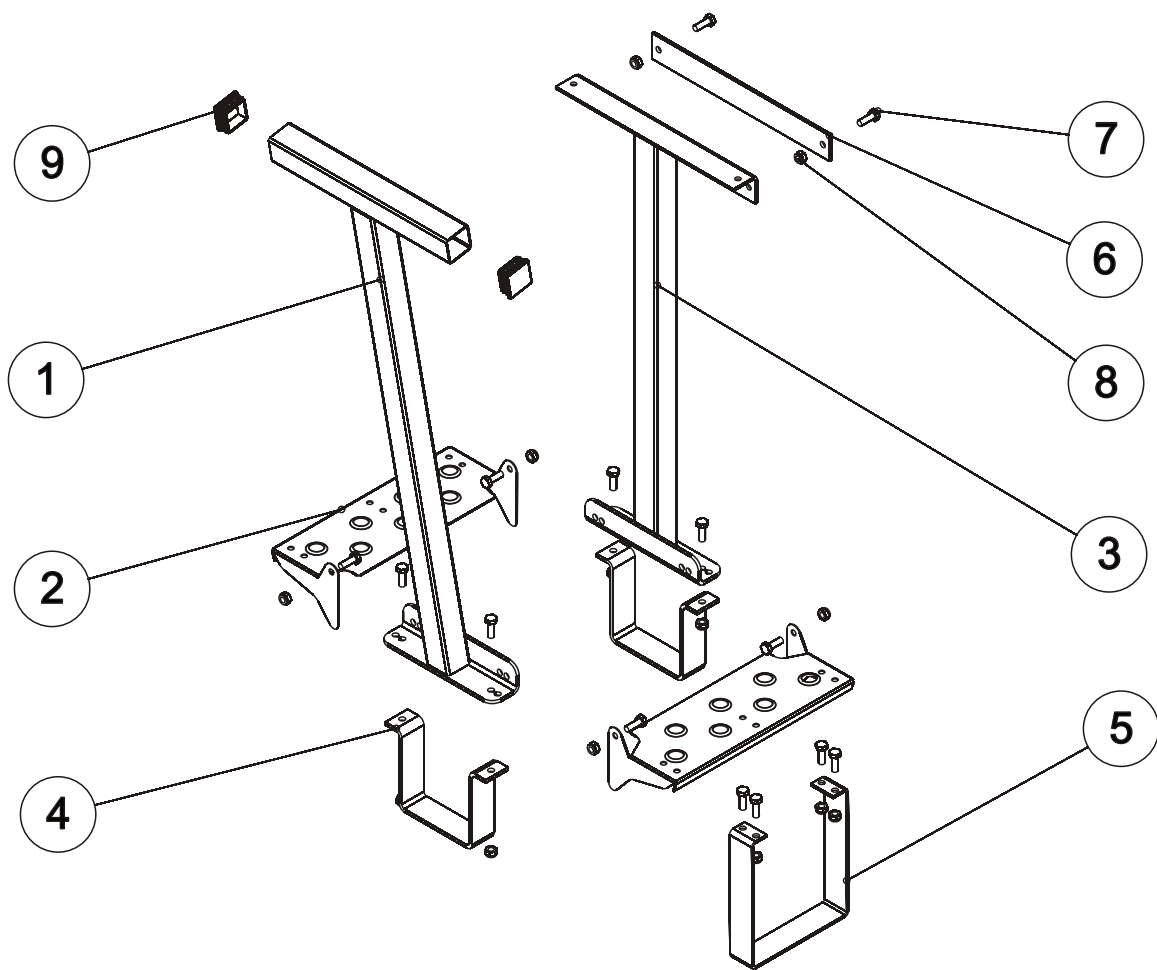


| OSA REF | VARAOSA NRO PART NO | TYYPPI CODE | NIMITYS | DESCRIPTION | KPL PCS |
|---------|---------------------|-------------|---------------------|-------------------|---------|
| 1 | 850985P | | TUKIJALKA VASEN | SUPPORT LEG LEFT | 1 |
| 2 | BH1511L13 | 32X1.5 | SEEGER | SEGER | 2 |
| 3 | 850980P | | AKSELI | AXLE | 2 |
| 4 | AH4113014 | M30 | MUTTERI | NUT | 2 |
| 5 | 850982P | | NIVELTAPPI | PIN | 2 |
| 6 | AGL113014 | M20 | MUTTERI | NUT | 10 |
| 7 | A13821 | M20X70 | RUUVI | BOLT | 12 |
| 8 | 850989P | | TUKIJALKA OIKEA | SUPPORT LEG RIGHT | 1 |
| 9 | 132920P | | KULMALIITIN | NIPPLE | 2 |
| 10 | 872906P | | HYDRAULI PUTKI | HYDRAULIC PIPE | 2 |
| 11 | 132820P | | PERUSLIITIN | NIPPLE | 2 |
| 12 | 133220P | | KAKSOISNIPPA | NIPPLE | 4 |
| 13 | 133508P | | LUKKOVENTTIILI | LOCK VALVE | 2 |
| 14 | 133300P | | TIIVISTE | SEALING | 8 |
| 15 | 132860P | | PUTKIPÄÄTE | HOSE END | 2 |
| 16 | 132380P | | BANJOLIITIN | NIPPLE | 2 |
| 17 | B8A1L0001 | 10X50 | JOUSISOKKA | ROLL PIN | 2 |
| 18 | 850981P | | SYLINTERIN TAPPI | CYLINDER PIN | 2 |
| 19 | 850995P | | PILARIN RUNKO | POST | 1 |
| 20 | 850990P | | TUKIJALAN SYLINTERI | CYLINDER | 2 |
| 21 | 127650P | | LIUKULAAKERI | BUSHING | 4 |

| OSA REF | VARAOSA NRO PART NO | TYYPPI CODE | NIMITYS | DESCRIPTION | KPL PCS |
|---------|---------------------|-------------|----------------------|---------------|---------|
| 1 | 872307P | | PISTOKKEEN KIINNITIN | PLUG FASTENER | 1 |
| 2 | A06060 | M8X80 | RUUVI | BOLT | 1 |
| 3 | A081F1514 | M8X45 | RUUVI | BOLT | 2 |
| 4 | AG8111014 | M8 | MUTTERI | NUT | 3 |
| 5 | A03610 | M6X60 | RUUVI | SCREW | 3 |
| 6 | 121040P | M6X60 | MUTTERI | NUT | 3 |
| 7 | 135031P | | PISTOKE | PLUG | 1 |
| 8 | 135032P | | PISTORASIA | SOCKET | 1 |
| 9 | D40554 | 7*1.5 | JOHTO | CABLE | 1 |

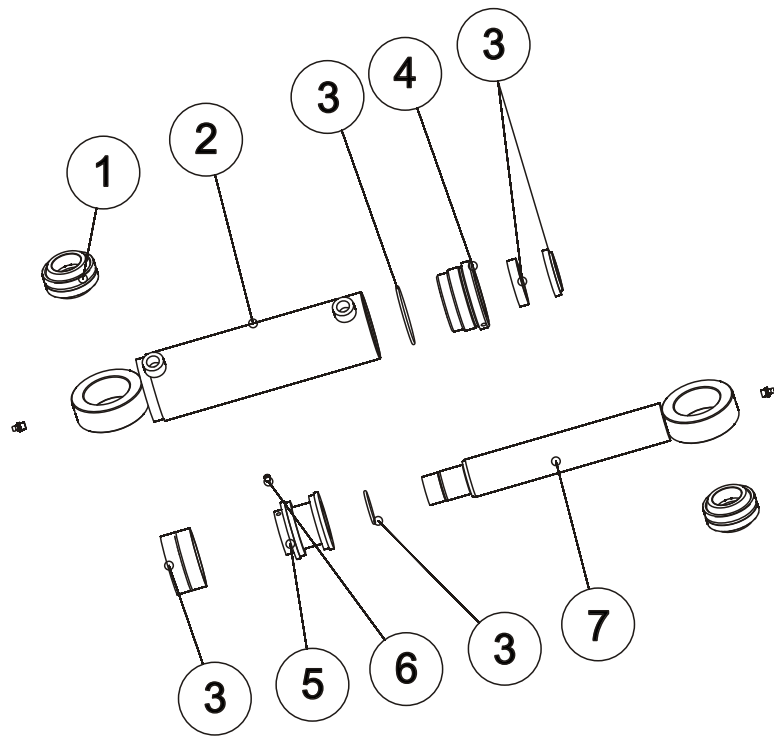


| OSA REF | VARAOSA NRO PART NO | TYYPPI CODE | NIMITYS | DESCRIPTION | KPL PCS |
|------------|------------------------|----------------|----------------------|--------------------|------------|
| 1 | 872330P | | VALO OIKEA | LIGHT RIGHT | 1 |
| 2 | 872340P | | VALO VASEN | LIGHT LEFT | 1 |
| 3 | 872302P | | SINKILÄ OIKEA | STRAP PLATE RIGHT | 2 |
| 4 | 872303P | | SINKILÄ VASEN | STRAP PLATE LEFT | 2 |
| 5 | 872304P | | SINKILÄ ALAPUOLI | STRAP PLATE DOWN | 4 |
| 6 | 872311P | 303 MM | SUOJA | COVER | 1 |
| 7 | B580H1624 | M8 | ALUSLEVY | WASHER | 24 |
| 8 | AG8113014 | M8 | MUTTERI | NUT | 12 |
| 9 | A080S1514 | M8X25 | RUUVI | BOLT | 12 |
| 10 | B5C0R2024 | M12 | ALUSLEVY | WASHER | 16 |
| 11 | AGC113014 | M12 | MUTTERI | NUT | 8 |
| 12 | A0C1F1014 | M12X45 | RUUVI | BOLT | 8 |
| 13 | 300118 | | KIINNITYSHAHLO | FASTENING SLOT | 1 |
| 14 | 92780 | | KIINNITYSLEVY | FASTENING PLATE | 1 |
| 15 | A01050 | M5X16 | URARUUVI | SCREW | 2 |
| 16 | B550A1024 | M5 | ALUSLEVY | WASHER | 2 |
| 17 | A50210 | M5 | MUTTERI | NUT | 2 |
| 18 | D50000387 | | HIT.AJON. KOLMIO | TRIANGLE | 1 |
| 19 | 872341P | | VALOKOTELO VASEN | LIGHT BOX LEFT | 1 |
| 19 | 872331P | | VALOKOTELO OIKEA | LIGHT BOX RIGHT | 1 |
| 20 | 872333P | | SUOJAPALKKI | COVER BEAM | 2 |
| 21 | B550A1024 | M5 | ALUSLEVY | WASHER | 8 |
| 22 | A50210 | M5 | MUTTERI | NUT | 8 |
| 23 | B560E1524 | M6 | ALUSLEVY | WASHER | 16 |
| 24 | AG6113014 | M6 | MUTTERI | NUT | 8 |
| 25 | 872342P | | RUNKO VASEN | BODY LEFT | 1 |
| 25 | 872332P | | RUNKO OIKEA | BODY RIGHT | 1 |
| 26 | D51111 | 36.5*100/3.2 | PURISTUSJOUSI | SPRING | 2 |
| 27 | B5C0R2124 | M12 | KORILAATTA | WASHER | 2 |
| 28 | AGC111014 | M12 | MUTTERI | NUT | 4 |
| 29 | B5C0R2024 | M12 | ALUSLEVY | WASHER | 4 |
| 30 | A11630 | M12X200 | RUUVI | BOLT | 2 |
| 31 | AGC113014 | M12 NY | MUTTERI | NUT | 2 |
| 32 | A060G1024 | M6X16 | RUUVI | BOLT | 8 |
| 33 | 135444P | | TAKAVALO | REAR LIGHT | 2 |
| 34 | 135447P | 12V/10W | LAMPPU | LAMP | 2 |
| 35 | 135446P | 12V/21W | LAMPPU | LAMP | 4 |
| 36 | A01050 | M5X16 | URARUUVI | SCREW | 8 |
| 37 | 139980P | | HEIJASTINKOLMIO PUN. | REFLECTOR TRIANGLE | 2 |
| 38 | 874025P | | RUNKO VASEN REK | BODY LEFT | 1 |
| 39 | 135449P | 12V/5W | LAMPPU | LAMP | 1 |
| 40 | 135448P | | REKISTERIVALO | LIGHT | 1 |



| OSA REF | VARAOSA NRO PART NO | TYYPPI CODE | NIMITYS | DESCRIPTION | KPL PCS |
|------------|------------------------|----------------|----------------|-------------|------------|
| 1 | 873389P | | ETUPUTKI | FRONT RACK | 1 |
| 2 | 873396P | | ASTINTASO | STEP PLATE | 2 |
| 3 | 873393P | | TAKAPUTKI | REAR RACK | 1 |
| 4 | 873395P | | SINKILÄ AISAAN | STRAP PLATE | 2 |
| 5 | 873398P | | ASTIN | STEP | 1 |
| 6 | 873388P | | KIRISTYSLATTA | FASTENER | 1 |
| 7 | A0A101524 | M10X30 | RUUVI | BOLT | 14 |
| 8 | A51151 | M10 | MUTTERI | NUT | 14 |
| 9 | D30496 | | SISÄTULPPA | PLUG | 2 |

| OSA REF | VARAOSA NRO PART NO | TYYPPI CODE | NIMITYS | DESCRIPTION | KPL PCS |
|------------|------------------------|----------------|-----------------|-----------------|------------|
| 1 | 872601P | | TYÖKALULAATIKKO | TOOL BOX | 1 |
| 2 | 872289P | | TAPPI | PIN | 2 |
| 3 | BD3011404 | 4 MM | NEULASOKKA | ROLL PIN | 2 |
| 4 | A08700 | M10X100 | RUUVI | BOLT | 4 |
| 5 | 872602P | | KIINNITYSTELINE | FASTENING STAND | 1 |
| 6 | 872605P | | LATTA | PLATE | 1 |
| 7 | AGA113014 | M10 | MUTTERI | NUT | 4 |



| OSA REF | VARAOSA NRO PART NO | TYYPPI CODE | NIMITYS | DESCRIPTION | KPL PCS |
|------------|------------------------|----------------|------------------|----------------|------------|
| 1 | 137280P | | NIVELLAAKERI | BEARING | 4 |
| 2 | 403520P | | SYL. PUTKI OIKEA | CYLINDER RIGHT | 1 |
| 2 | 403530P | | SYL. PUTKI VASEN | CYLINDER LEFT | 1 |
| 3 | 143600P | | TIIVISTESARJA | SEAL KIT | 2 |
| 4 | 403505P | | PÄÄTYMUHVI | END CAP | 2 |
| 5 | 403503P | | MÄNTÄ | PISTON | 2 |
| 6 | A06085524 | M6X8 | PIDÄTINRUUVI | SCREW | 2 |
| 7 | 401520P | | MÄNNÄNVARSI | SPINDLE | 2 |