

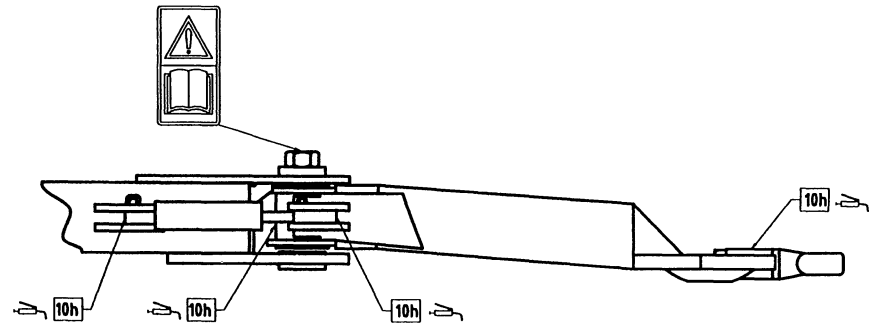
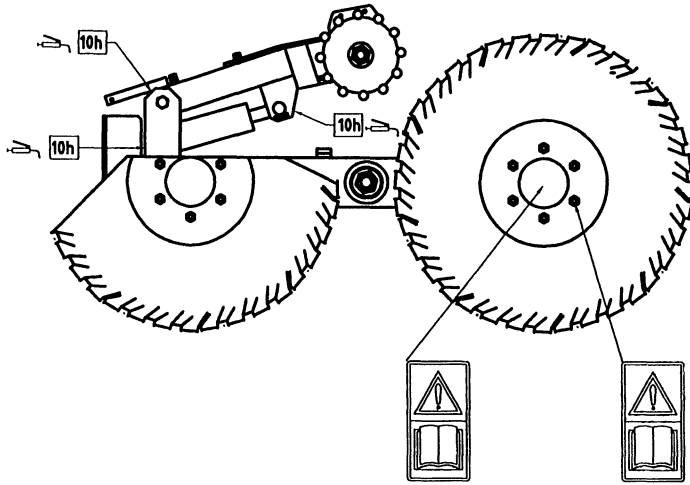
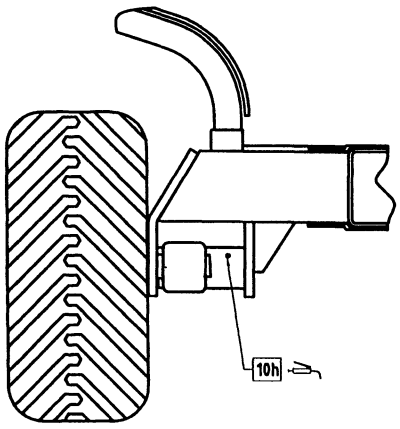
PATRUUNA

10+ /10+ 4WD

VARAOSAKUVASTO
RESERVDELSKATALOG
SPARE PARTS CATALOGUE
ERSATZTEILLISTE
LISTE DES PIÈCES DE RECHANGE

Alkaen valmistenumeroista:
Med början från produktionsnummer:
Beginning from production number:
Beginnend mit der Produktionsnummer:
A partir du numéro de production:

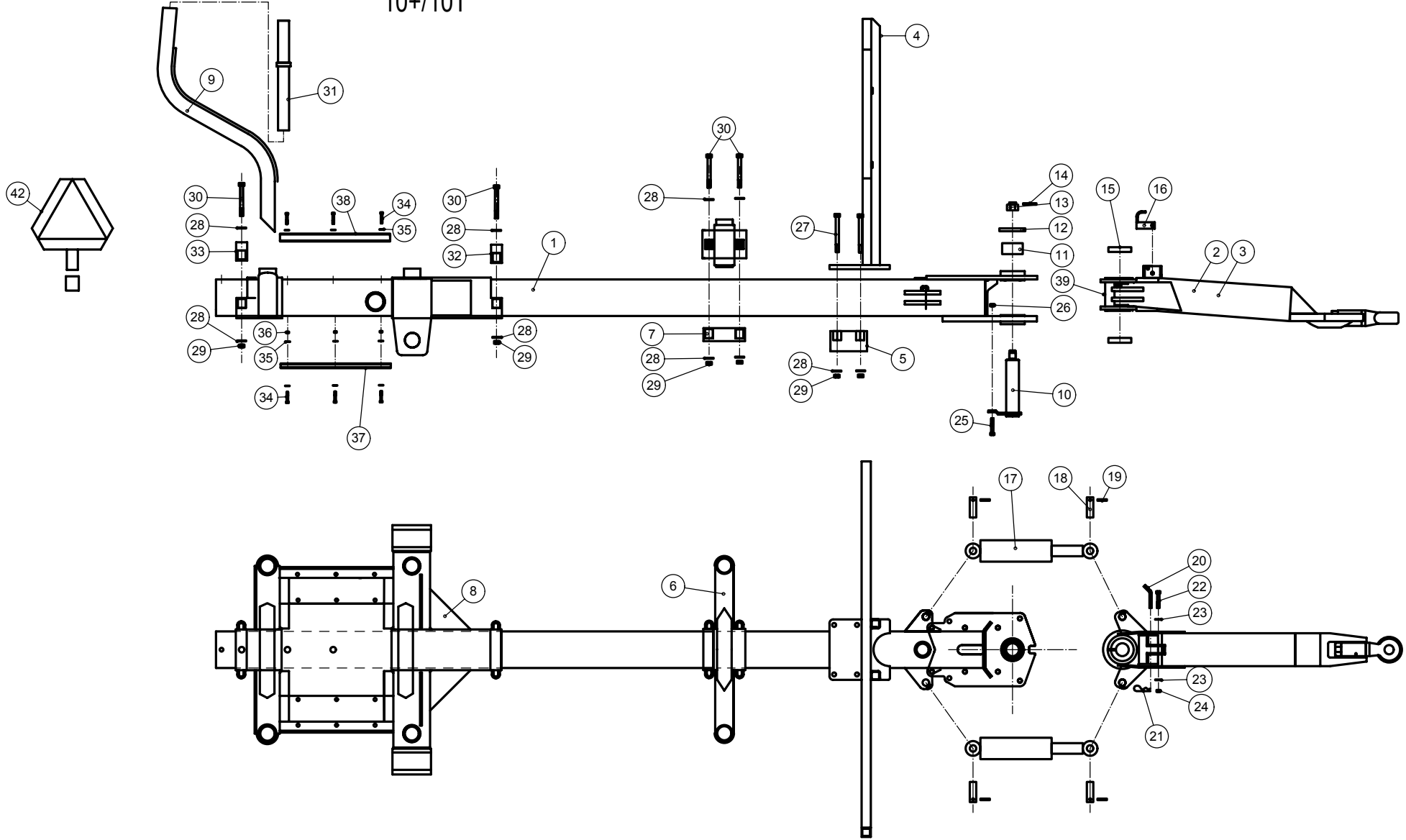
??? (05-2006)



| 1-1. | | RUNKO | RAM | BODY | RAHMEN | CADRE | 10+ / 10+4WD | |
|----------|------|-------|------------------------|-----------------|-------------------|-----------------------|---------------------------|------------------|
| Art.no. | Pos. | | | | | | | |
| D872720P | 1 | 1 | Runko | Ram | Body | Rahmen | Cadre | |
| D872909P | 2 | 1 | Vetopuomi | Dragbom | Draft boom | Zugbaum | Timon articulé | Solid Towing eye |
| D850249P | 3 | 1 | Vetopuomi | Dragbom | Draft boom | Zugbaum | Timon articulé | |
| D872880P | 4 | 1 | Etusermi | Frontskärm | Front quard | Vorderes schutzgitter | Grille avant | |
| D850420P | 5 | 1 | Kiinnityssinkilä | Frontskärmfäste | Stap plate | Befestigungseisen | Coude de fixation | |
| D872730P | 6 | 1 | Siirtopankko | Banke | Centre beam | Vorderer rungenaufbau | Barre amovible | |
| D850812P | 7 | 1 | Sinkilä | Läsjärn | Strap plate | Klemmbugel | Flasque | |
| D872750P | 8 | 1 | Telipankka | Boggiebanke | Cros member | Boggieachse | Essieu du bogie | |
| 872895P | 9 | 6 | Tolppa | Stöttor | Post | Pfeiler | Rancher | |
| 850590P | 10 | 1 | Nivelakseli | Ramstyrningtapp | Pivot pin | Pendelachse | Cheville | D 70...355 |
| 850125P | 11 | 1 | Kiristysholkki | Spänholck | Collar | Klemmhülse | Bague d'arrêt | D 95/63...50 |
| 867190P | 12 | 1 | Aluslevy | Bricka | Washer | Untrlagscheibe | Pièce d'écartement | |
| 121470P | 13 | 1 | Kruunumutteri | Kronmutter | Castellated nut | Kronenmutter | Écrou crénelé | M 36x1,5 |
| 122210P | 14 | 1 | Saksisokka | Saxprint | Split pin | Splint | Goupille fendue | 6,3x63 |
| 137551P | 15 | 2 | Laakeri | Lager | Bearing | Lager | Palier | 30214 |
| D872012P | 16 | 1 | Lukkotappi | Lästapp | Lock pin | Haltestift | Broche de verrouillage | |
| 403500P | 17 | 2 | Sylinteri | Cylinder | Cylinder | Zylinder | Vérin | D 70/45 387+177 |
| 401101P | 18 | 4 | Tappi | Tapp | Pin | Zapfen | Cheville | |
| 122580P | 19 | 4 | Jousisokka | Rörsprint | Roll-pin | Federsplint | Goupille à ressort | 10x70 |
| 872289P | 20 | 1 | Tappi | Tapp | Pin | Zappen | Cheville | |
| 122800P | 21 | 1 | Neulasokka | Nälsprint | Roll pin | Nadelsplint | Goupille à aiguille | |
| 113723P | 22 | 1 | Kuusioruuvi | Sexkantskruv | Bolt | Sechskantschraube | Vis à six pans | M14x75 |
| 124070P | 23 | 2 | Aluslevy | Bricka | Washer | Unterlagscheibe | Pièce d'écartement | M14 |
| 121170P | 24 | 1 | Kuusiomutteri | Sexkantmutter | Nut | Sechskantmutter | Écrou à six pans | M14 Nyloc |
| 113800P | 25 | 1 | Kuusioruuvi | Sexkantskruv | Bolt | Sechskantschraube | Vis à six pans | M16x50 |
| 121210P | 26 | 1 | Kuusiomutteri | Sexkantmutter | Nut | Sechskantmutter | Écrou à six pans | M16 Nyloc |
| 114091P | 27 | 4 | Kuusioruuvi | Sexkantskruv | Bolt | Sechskantschraube | Vis à six pans | M20x220 |
| 867170P | 28 | 20 | Aluslevy | Bricka | Washer | Unterlagscheibe | Pièce d'écartement | |
| 121250P | 29 | 12 | Kuusiomutteri | Sexkantmutter | Nut | Sechskantmutter | Écrou à six pans | M20 Nyloc |
| 113990P | 30 | 4 | Kuusioruuvi | Sexkantskruv | Bolt | Sechskantschraube | Vis à six pans | M20x 160 |
| 114160P | 31 | 4 | Kuusioruuvi | Sexkantskruv | Bolt | Sechskantschraube | Vis à six pans | M20x140 |
| D872733P | 32 | 1 | Sinkilä | Läsjärn | Strap plate | Klemmbugel | Flasque | |
| D872731P | 33 | 1 | Sinkilä lukitseva | Läsjärn | Strap plate. Lock | Klemmbugel | Flasque avec verrouillage | |
| 113610P | 34 | 12 | Kuusioruuvi | Sexkantskruv | Bolt | Sechskantschraube | Vis à six pans | M12x50 |
| 124331P | 35 | 18 | Aluslevy | Bricka | Washer | Unterlagscheibe | Pièce d'écartement | M12 |
| 121130P | 36 | 6 | Kuusiomutteri | Sexkantmutter | Nut | Sechskantmutter | Écrou à six pans | M12 Nyloc |
| D872744P | 37 | 1 | Kansilevy | Däckplatta | Cover plate | Abdeckplatte | Platine de protection | Only for 4WD |
| D872737P | 38 | 1 | Kansilevy | Däckplatta | Cover plate | Abdeckplatte | Platine de protection | Only for 4WD |
| 142660P | 39 | 1 | Rasvanippa | Smörjnippel | Grease nipple | Fettnippel | Graisneur | M8 |
| 113760P | 40 | 1 | Kuusioruuvi | Sexkantskruv | Bolt | Sechskantschraube | Vis à six pans | M16x30 |
| 121210P | 41 | 1 | Kuusiomutteri | Sexkantmutter | Nut | Sechskantmutter | Écrou à six pans | M16 |
| 927800P | 42 | 1 | Hitaanajoneuvon kolmio | LGF-skyld | SMV-plate | Shield | Bouclier | |

1-1.

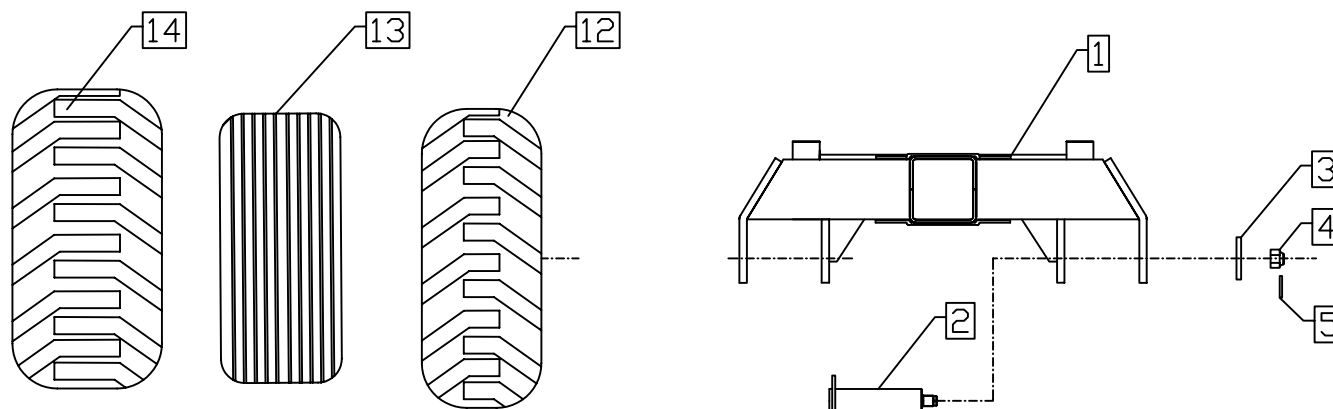
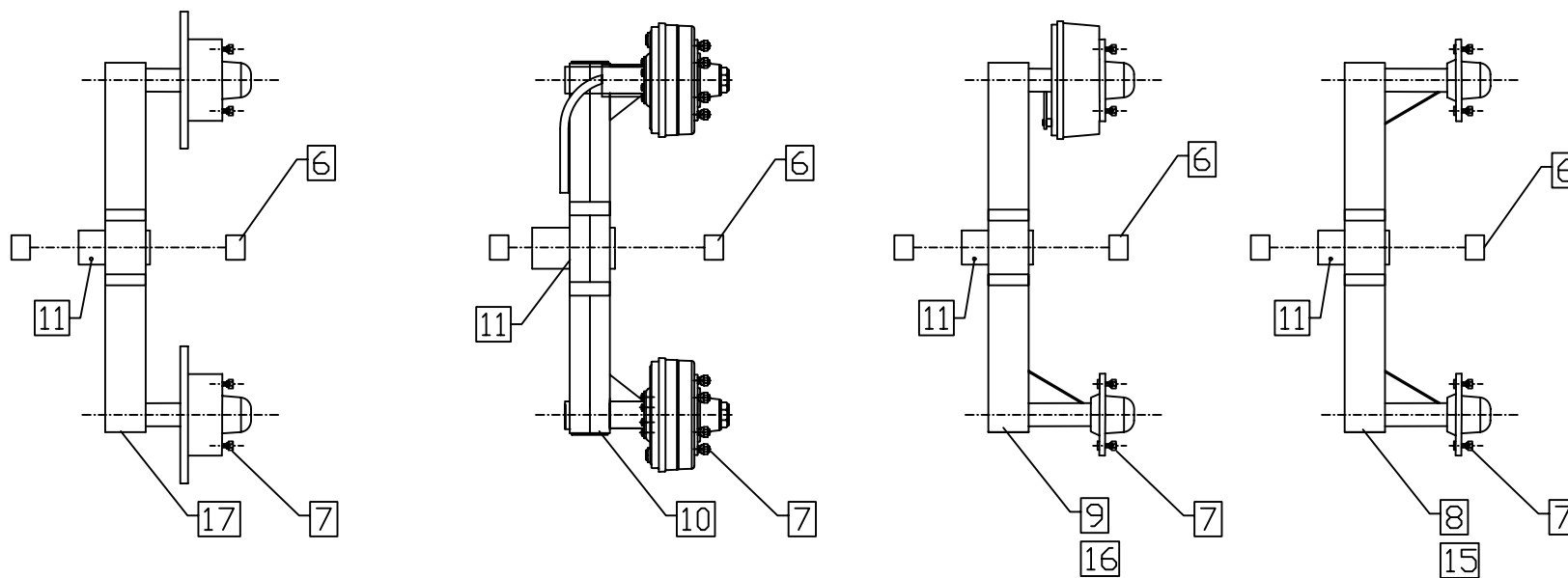
10+/10T



| 1-2. | | TAKA-RUNKO | BAK-RAM | BACK-BODY | HINTER-RAHMEN | CADRE | 10+ / 10+4WD | | |
|---|------|---|-------------------|--|-----------------|--|-----------------------|---|--|
| Art.no. | Pos. | | | | | | | | |
| D872750P | 1 | 1 | Telipankka | Boggiebanke | Cros member | Boggieachse | Essieu du bogie | | |
| 850580P | 2 | 2 | Telikeinun akseli | Boggieaxle | Axle pin | Pendelachse | Cheville | D80...370 | |
| 867190P | 3 | 2 | Aluslevy | Bricka | Washer | Untrlagscheibe | Pièce d'écartement | D 100/ 37 S=10 | |
| 121470P | 4 | 2 | Kruunumutteri | Kronmutter | Castellated nut | Kronenmutter | Écrou crénelé | M36x1,5 | |
| 122210P | 5 | 2 | Saksisokka | Saxprint | Split pin | Splint | Goupille fendue | 6,3x63 | |
| 127810P | 6 | 2 | Laakeriholkki | Lagerbussning | Bush | Lager | Coquille de coussinet | D 85/80...65 p6/A9 | |
| 120105P | 7 | 24 | Pyörän mutteri | Hjulumutter | Wheel nut | Mutter | Écrou de roue | 903D18AUT | |
| 872816P/O | 8 | 1 | Telikeinu | Boggievagga | Bogie | Doppelachsaggregat | Bogie | Right (See from behind) | |
| 872816P/V | 8 | 1 | Telikeinu | Boggievagga | Bogie | Doppelachsaggregat | Bogie | Left (See from behind) | |
| 872817P/O | 9 | 1 | Telikeinu | Boggievagga | Bogie | Doppelachsaggregat | Bogie | Right (See from behind) | |
| 872817P/V | 9 | 1 | Telikeinu | Boggievagga | Bogie | Doppelachsaggregat | Bogie | Left (See from behind) | |
| 872818P/O | 10 | 1 | Telikeinu | Boggievagga | Bogie | Doppelachsaggregat | Bogie | Right (See from behind) | |
| 872818P/V | 10 | 1 | Telikeinu | Boggievagga | Bogie | Doppelachsaggregat | Bogie | Left (See from behind) | |
| 142660P | 11 | 2 | Rasvanippa | Smörjnippel | Grease nipple | Fettnippel | Graisser | M8 | |
| 140432P | 12 | 4 | Rengas | Däck | Tyre | Rad | Roue renforcée | 400/60X15,5 Pr.14ELS | |
| 140427P | 13 | 4 | Rengas | Däck | Tyre | Rad | Roue renforcée | 16,0/70-20 | |
| 140428P | 14 | 4 | Rengas | Däck | Tyre | Rad | Roue renforcée | 500/55*17 ELS OT TL | |
| D850300P/O | 15 | 1 | Telikeinu | Boggievagga | Bogie | Doppelachsaggregat | Bogie | Right (See from behind) | |
| D850300P/V | 15 | 1 | Telikeinu | Boggievagga | Bogie | Doppelachsaggregat | Bogie | Left (See from behind) | |
| D850340P/O | 16 | 1 | Telikeinu | Boggievagga | Bogie | Doppelachsaggregat | Bogie | Right (See from behind) | |
| D850340P/V | 16 | 1 | Telikeinu | Boggievagga | Bogie | Doppelachsaggregat | Bogie | Left (See from behind) | |
| D850320P/O | 17 | 1 | Telikeinu | Boggievagga | Bogie | Doppelachsaggregat | Bogie | Right (See from behind) | |
| D850320P/V | 17 | 1 | Telikeinu | Boggievagga | Bogie | Doppelachsaggregat | Bogie | Left (See from behind) | |
| POS. 15-17 renkailla 16,0/70-20 tai 500/55x17 | | POS. 15-17 användas 16,0-20 eller 500/55x17 | | POS. 15-17 used 16,0/70-20 or 500/55x17" | | POS. 15-17 applizieren 16,0/70-20 oder | | POS. 15-17 usage 16,0/70-20 or 500/55x17 Roue renforcée | |

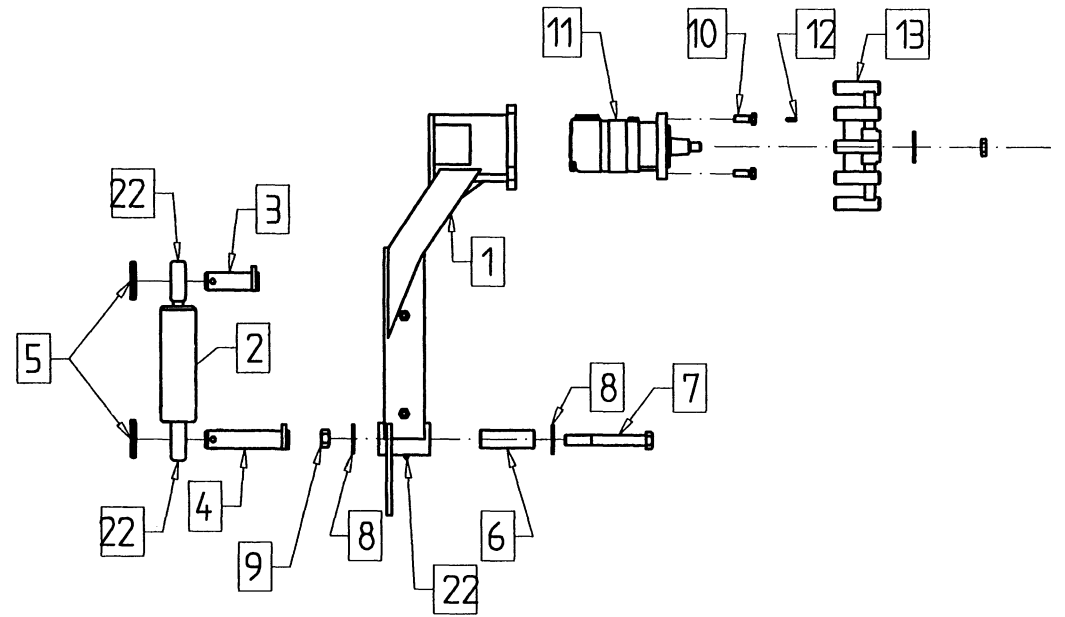
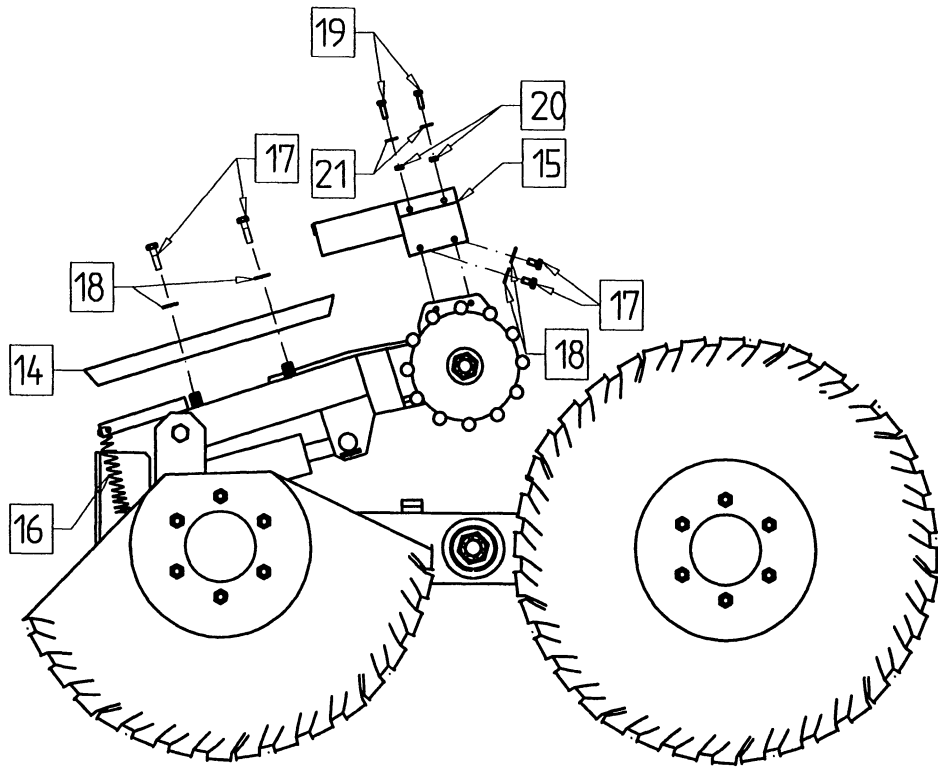
1-2.

10+/10T



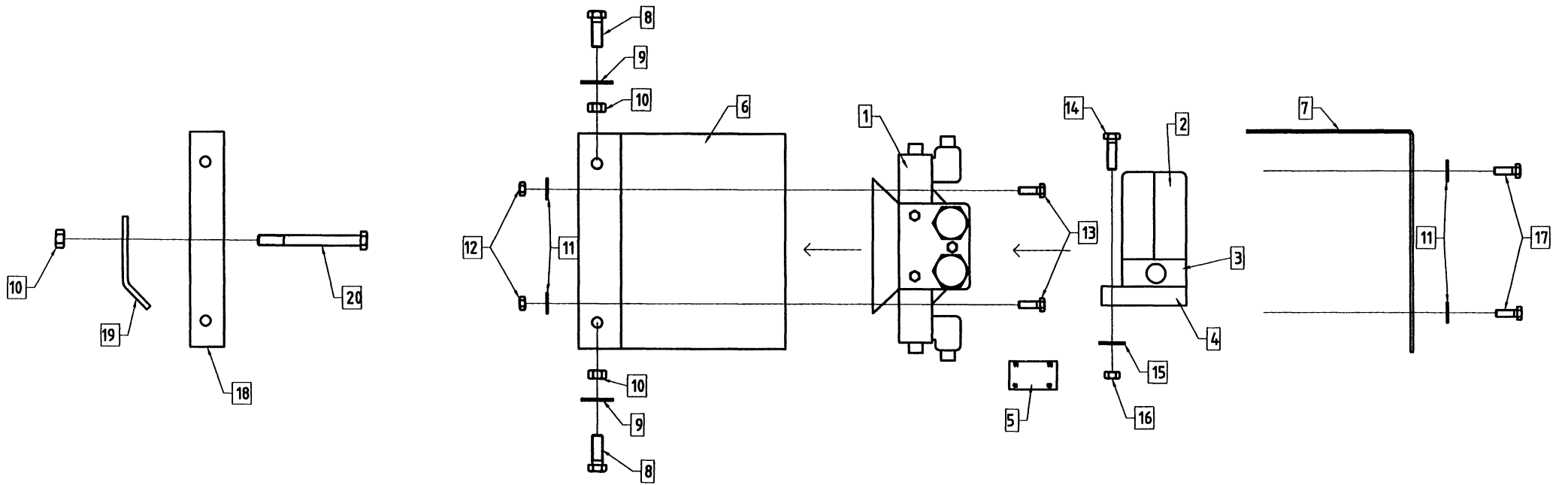
| 1-3. | | Veto, takaosa | Drag, bakdel | Draft, back | Ziehen, hinterteil | Traction | 10+4WD | |
|------------|------|---------------|--------------------------|----------------------|---------------------------|------------------------|----------------------------|-----------------------------|
| Art.no. | Pos. | | | | | | | |
| D850500P/O | 1 | 2 | Vetorullan varsi | Robbson arm | Arm | Stange | manche, Rouleau entraîneur | Left (See from behind) |
| D850500P/V | 1 | 2 | Vetorullan varsi | Robbson arm | Arm | Stange | manche, Rouleau entraîneur | Right (See from behind) |
| 850450P | 2 | 2 | Vetorullan sylinteri | Robbsoncylinder | Ropson cylinder | Treibrollen-zylinder | Vérin | D 70/35 300+46 |
| 850565P | 3 | 2 | Sylinterin etutappi | Cylindertapp | Cylinder front pin | Vorderer dorn des zyl. | Cheville | D35 |
| 850560P | 4 | 2 | Takatappi | Cylindertapp | Back pin | Hinterer zapfen | Cheville | D35 |
| 122580P | 5 | 4 | Jousisokka | Rörsprint | Roll-pin | Federsplint | Goupille à ressort | D 10x70 |
| 872809P | 6 | 2 | Tappi | Tapp | Pin | Zapfen | Cheville | D36 / 20,5...107 |
| 113990P | 7 | 2 | Kuusioruuvi | Sexkantskruv | Bolt | Sechskantschraube | Vis à six pans | M20x160 |
| 124090P | 8 | 4 | Aluslevy | Bricka | Washer | Unterlagerung | Pièce d'écartement | M20 |
| 121250P | 9 | 2 | Kuusiomutteri | Sexkantmutter | Nut | Sechskantmutter | Écrou à six pans | M20 Nyloc |
| 113580P | 10 | 8 | Kuusioruuvi | Sexkantskruv | Bolt | Sechskantschraube | Vis à six pans | M12x35 |
| 133404P | 11 | 2 | Moottori | Motor | Motor | Motor | Moteur | OMSW 315 |
| 143457P | 12 | 2 | Kiila | Kil | Key way | Keil | Clavette | DIN 6885 |
| 855300P | 13 | 2 | Vetorulla | Robbson | Robson parting | Treibrolle | Rouleau entraîneur | Type Nokian 400/60-15,5 ELS |
| D850530P | 14 | 2 | Letkusuoja | Slangskydd | Hose cover | Schlauchschutz | protection du flexible | Left (See from behind) |
| D850520P/O | 15 | 2 | Suojalevy | Skydd | Guard plate | Schutzplatte | protection du flexible | Right (See from behind) |
| D850520P/V | 15 | 2 | Suojalevy | Skydd | Guard plate | Schutzplatte | protection du flexible | Left (See from behind) |
| 141623P | 16 | 2 | Jousi, vetorullan nostin | Fjäder, robbson lyft | Roll for lifting, robbson | Feder | Ressort | 30x5...170 |
| 113300P | 17 | 8 | Kuusioruuvi | Sexkantskruv | Bolt | Sechskantschraube | Vis à six pans | M10x16 |
| 124050P | 18 | 8 | Aluslevy | Bricka | Washer | Unterlagerung | Pièce d'écartement | M10 |
| 113160P | 19 | 4 | Kuusioruuvi | Sexkantskruv | Bolt | Sechskantschraube | Vis à six pans | M8x30 |
| 121070P | 20 | 4 | Kuusiomutteri | Sexkantmutter | Nut | Sechskantmutter | Écrou à six pans | M8 Nyloc |
| 124610P | 21 | 4 | Aluslevy | Bricka | Washer | Unterlagerung | Pièce d'écartement | M8 |
| 142680P | 22 | 6 | Rasvanippa | Smörjnippel | Grease nipple | Fettnippel | Graisneur | M8x1 |

1-3.



| 1-4. | | Veto, etuosa | Drag, framdel | Draft, front part | Ziehen, Vorderteil | Traction | 10+4WD | |
|----------|------|--------------|-------------------|-------------------|-------------------------------|-------------------|-----------------------|------------------------------|
| Art.no. | Pos. | | | | | | | |
| 134840P | 1 | 1 | Venttiililohko | Ventilblock | Valveblock | Vorsteuertisch | Soupape block | HDS 15 |
| 133405P | 2 | 1 | Venttiili | Ventil | Valve | Ventil | Soupape | 4WE10D3X/CG12N9Z4 |
| 133506P | 3 | 1 | Ylipaineventtiili | Övertryck ventil | Duall cross over relief valve | Überdruck ventil | Soupape de décharge | Z2DBK 10 VD2-1X/210V |
| 133406P | 4 | 1 | Pohjalaatta | Bottenplatta | Baseplate | Grundplatte | Plaque | G67 |
| 134736P | 5 | 1 | Lukkoventtiili | Låsventil | Lockvalve | Schließventil | Verrou Soupape | 05.52.11-10-10-09-01 VSO |
| D872891P | 6 | 1 | Venttiili kotelo | Ventil ask | Ventil box | Ventil schachtel | Carter | |
| D872894P | 7 | 1 | Suojalevy | Skydd | Guard plate | Schutzplatte | Platine de protection | |
| 113580P | 8 | 4 | Kuusioruuvi | Sexkantskruv | Bolt | Sechskantschraube | Vis à six pans | M12 x 35 |
| 124330P | 9 | 4 | Aluslevy | Bricka | Washer | Unterlagsscheibe | Pièce d'écartement | M 12 |
| 121130P | 10 | 6 | Kuusiomutteri | Sexkantmutter | Nut | Sechskantmutter | Écrou à six pans | M 12 Nyloc |
| 124610P | 11 | 8 | Aluslevy | Bricka | Washer | Unterlagerung | Pièce d'écartement | M 8 |
| 121070P | 12 | 4 | Kuusiomutteri | Sexkantmutter | Nut | Sechskantmutter | Écrou à six pans | M 8 Nyloc |
| 113160P | 13 | 4 | Kuusioruuvi | Sexkantskruv | Bolt | Sechskantschraube | Vis à six pans | M8 x 30 |
| 113340P | 14 | 2 | Kuusioruuvi | Sexkantskruv | Bolt | Sechskantschraube | Vis à six pans | M10 x 35 |
| 124050P | 15 | 2 | Aluslevy | Bricka | Washer | Unterlagerung | Pièce d'écartement | M 10 |
| 121100P | 16 | 2 | Kuusiomutteri | Sexkantmutter | Nut | Sechskantmutter | Écrou à six pans | M 10 Nyloc |
| 113150P | 17 | 4 | Kuusioruuvi | Sexkantskruv | Bolt | Sechskantschraube | Vis à six pans | M8 x 25 |
| D872901P | 18 | 1 | Asennussarja | Monteringssats | Fitting set | Montageserie | Plaque de fixation | Only 3-point linkage mounted |
| D872902P | 19 | 1 | Asennussarja | Monteringssats | Fitting set | Montageserie | Plaque de fixation | Only 3-point linkage mounted |
| 113710P | 20 | 2 | Kuusioruuvi | Sexkantskruv | Bolt | Sechskantschraube | Vis à six pans | M12 x 120 |

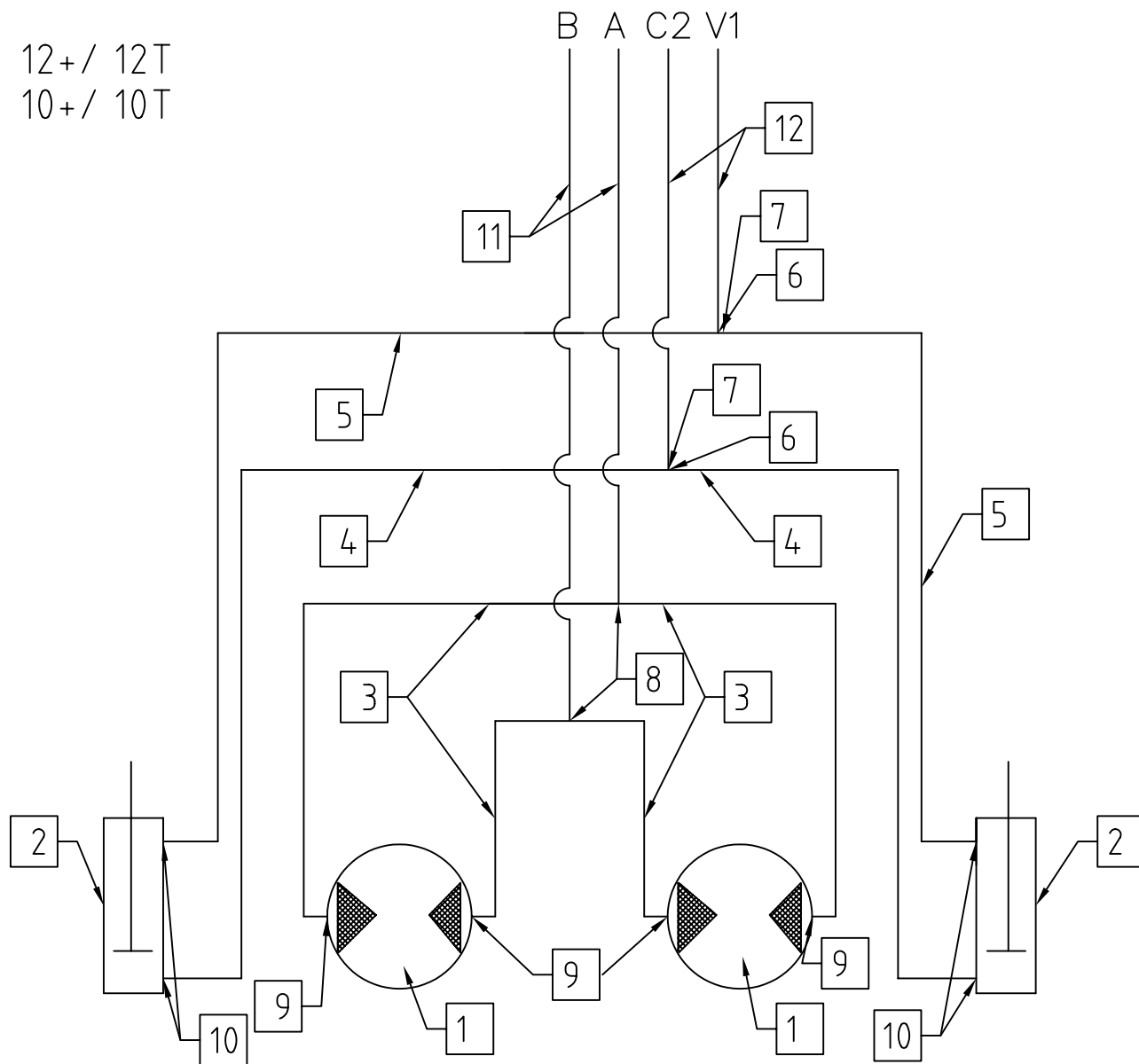
1-4.



| 1-5. | | HYDRAULIIKKA | HYDRAULIK | HYDRAULICS | HYDRAULIK | HYDRAULIQUE | 10+ 4WD |
|---------|------|--------------|----------------------|-----------------|------------------|----------------------|---------------------------------------|
| Art.no. | Pos. | | | | | | |
| 133404P | 1 | 2 | Moottori | Motor | Motor | Motor | OMSW 315 |
| 850450P | 2 | 2 | Vetorullan sylinteri | Robbsoncylinder | Ropson cylinder | Treibrollen-zylinder | D 70/35 300+46 |
| 134722P | 3 | 4 | Letku | Hyd.slang | Hose | Schlauch | Flexible 1/2"...2150 K90R1/2s"/R1/2"s |
| 134723P | 4 | 2 | Letku | Hyd.slang | Hose | Schlauch | Flexible 1/4"...1200 R1/4"s/P10 |
| 134724P | 5 | 2 | Letku | Hyd.slang | Hose | Schlauch | Flexible 1/4"...1000 R1/4"s/P10 |
| 134541P | 6 | 6 | Kaksoinippa | Dubbelnippel | Double connector | Doppelnippel | Embout double 201-04 1/4" |
| 134706P | 7 | 2 | T-nippa | T-nippel | T-nippel | T-nippel | Embout en T 711-04 1/4" |
| 134700P | 8 | 2 | T-nippa | T-nippel | T-nipple | T-nippel | Embout en T 702-08 1/2" |
| 134520P | 9 | 4 | Kaksoisnippa | Duppelnippel | Twin nipple | Doppelnippel | Embout double 201-08 1/2" |
| 132910P | 10 | 4 | Kulmalitiin | Vinkel | Elbow | Winkel | Raccord angulaire 2171006S 10S-3/8" |
| 134874P | 11 | 2 | Letku | Slang | Hose | Schlauch | Flexible 1/2"...4100(1/2"s)x2 |
| 134873P | 12 | 2 | Letku | Slang | Hose | Schlauch | Flexible 1/4"...4100(1/4"s)x2 |

1-5.

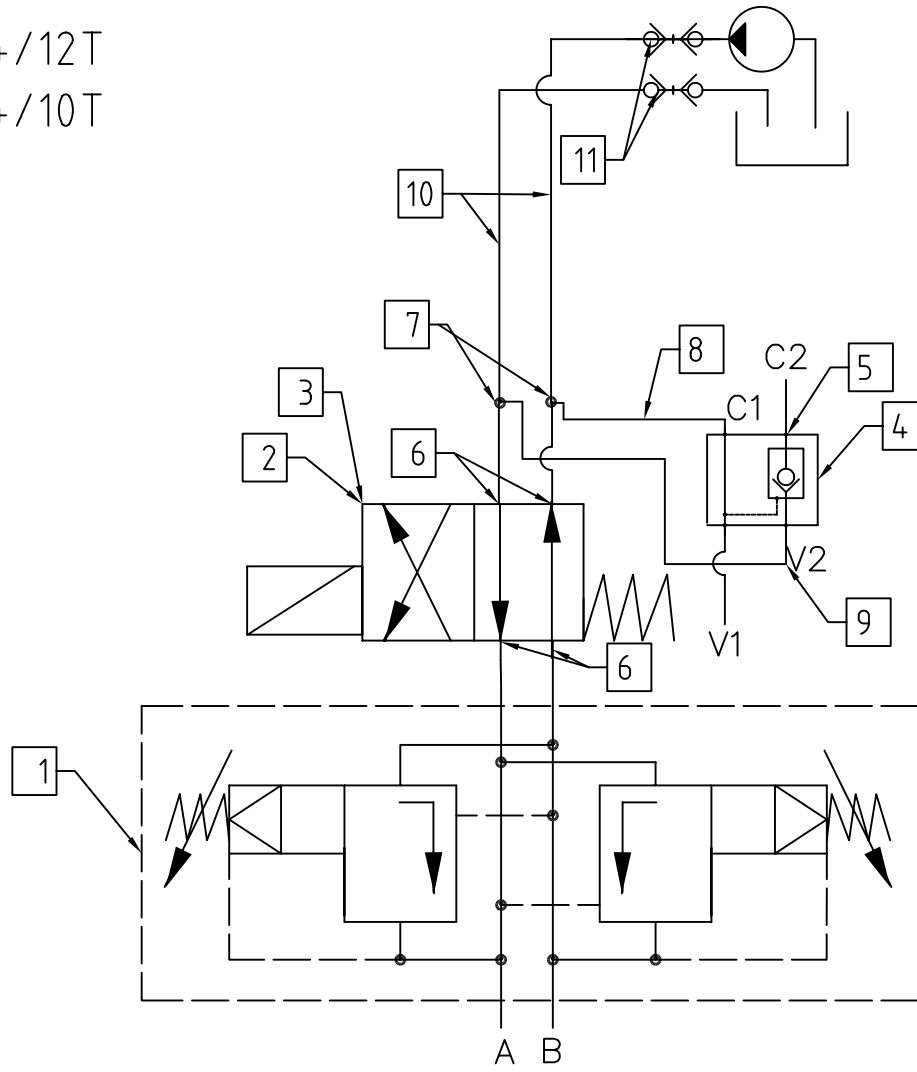
12+ / 12T
10+ / 10T



| 1-6. | | HYDRAULIIKKA Tr-kytkentä | | HYDRAULIK Tr-koppling | HYDRAULICS Tr-connecting | HYDRAULIK Tr-Verkuppelung | HYDRAULIQUE Tr-accouplement | 10+ 4WD |
|---------|------|-----------------------------|--------------------|--------------------------|-------------------------------|------------------------------|--------------------------------|------------------------------|
| Art.no. | Pos. | | | | | | | |
| 133506P | 1 | 1 | Ylipaineventtiili | Övertryck ventil | Duall cross over relief valve | Überdruck ventil | Soupape de décharge | |
| 133406P | 2 | 1 | Pohjalaatta | Bottenplatta | Baseplate | Grundplatte | Plaque | |
| 133405P | 3 | 1 | Venttiili | Ventil | Valve | Ventil | Soupape | |
| 134736P | 4 | 1 | Lukkoventtiili | Låsventil | Lockvalve | Schließventil | Verrou Soupape | |
| 132912P | 5 | 1 | Kulmanippa | Vinkelnippel | Elbow nipple | Winkelnippel | Embout | |
| 133446P | 6 | 4 | Yhdysnippa | Adapter | Setting nipple | Blocknippel | Conjugu'e Embout | |
| 133212P | 7 | 2 | Mittarinippa | Adapter | Meter nipple | Meßnippel | Mesureur Embout | |
| 134872P | 8 | 1 | Letku | Slang | Hose | Schlauch | Flexible | |
| 134733P | 9 | 1 | Letku | Hyd.slang | Hose | Schlauch | Flexible | |
| 134261P | 10 | 2 | Letku | Slang | Hose | Schlauch | Flexible | |
| 134268P | 10 | 2 | Letku | Slang | Hose | Schlauch | Flexible | 1/2"...3100 K90r1/2"S/r1/2"u |
| 133230P | 11 | 2 | Pikaliitin, koiras | Snabbkoppling, hane | Hydraulic coupling, male | Schnellkupplung,männchen | Raccord rapide mâle | |

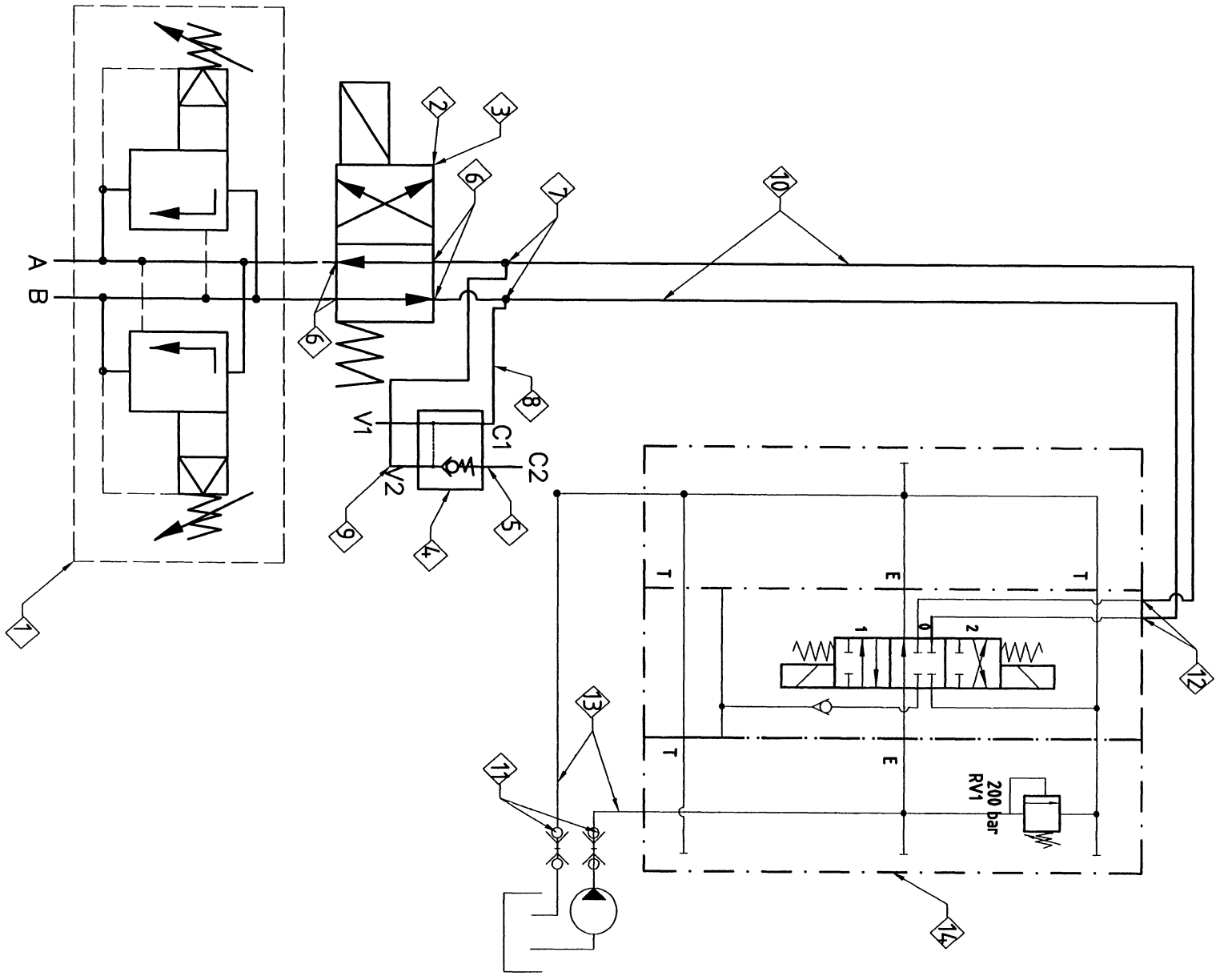
1-6.

12+ / 12T
10+ / 10T



| 1-7. | | HYDRAULIIKKA ON/OFF-kytkentä | | HYDRAULIK ON/OFF-koppling | | HYDRAULICS ON/OFF-connecting | | HYDRAULIK ON/OFF-verkuppelung | | HYDRAULIQUE ON /OFF-accouplement | | 10+ 4WD |
|---------|------|---------------------------------|--------------------|------------------------------|-------------------------------|---------------------------------|---------------------|----------------------------------|--|-------------------------------------|--|---------|
| Art.no. | Pos. | | | | | | | | | | | |
| 133506P | 1 | 1 | Ylipaineventtiili | Övertryck ventil | Duall cross over relief valve | Überdruck ventil | Soupape de décharge | Z2DBK 10 VD2-1X/210V | | | | |
| 133406P | 2 | 1 | Pohjalaatta | Bottenplatta | Baseplate | Grundplatte | Plaque | G67 | | | | |
| 133405P | 3 | 1 | Venttiili | Ventil | Valve | Ventil | Soupape | 4WE10D3X/CG12N9Z4 | | | | |
| 134736P | 4 | 1 | Lukkoventtiili | Låsventil | Lockvalve | Schließventil | Verrou Soupape | 05.52.11-10-10-09-01 VSO | | | | |
| 132912P | 5 | 1 | Kulmanippa | Vinkelnippel | Elbow nipple | Winkelnippel | Embout | 701-04 1/4" | | | | |
| 133446P | 6 | 4 | Yhdysnippa | Adapter | Setting nipple | Blocknippel | Conjugu'e Embout | 705-08-08 1/2" | | | | |
| 133212P | 7 | 2 | Mittarinippa | Adapter | Meter nipple | Meßnippel | Mesureur Embout | 1/2" / 1/2" / 1/4" | | | | |
| 134872P | 8 | 1 | Letku | Slang | Hose | Schlauch | Flexible | 1/4"...300(1/4"Sk45)X2 | | | | |
| 134733P | 9 | 1 | Letku | Hyd.slang | Hose | Schlauch | Flexible | 1/4"...175(1/4"Sk90)X2 | | | | |
| 134267P | 10 | 2 | Letku | Slang | Hose | Schlauch | Flexible | 1/2"...600(R1/2"Sk90)X2 | | | | |
| 133230P | 11 | 2 | Pikaliitin, koiras | Snabbkoppling, hane | Hydraulic coupling, male | Schnellkupplung,männchen | Raccord rapide mâle | NV-08M 1/2" | | | | |
| 134520P | 12 | 2 | Kaksoisnippa | Duppelnippel | Twin nipple | Doppelnippel | Embout double | 201-08 1/2" | | | | |
| 134261P | 13 | 2 | Letku | Slang | Hose | Schlauch | Flexible | 1/2"...2100 K90r1/2"S/r1/2"u | | | | |
| 134268P | 13 | 2 | Letku | Slang | Hose | Schlauch | Flexible | 1/2"...3100 K90r1/2"S/r1/2"u | | | | |
| 134840P | 14 | 1 | Venttiililohko | Ventilblock | Valveblock | Vorsteuertisch | Soupape block | HDS-15 12VDC-HPC | | | | |

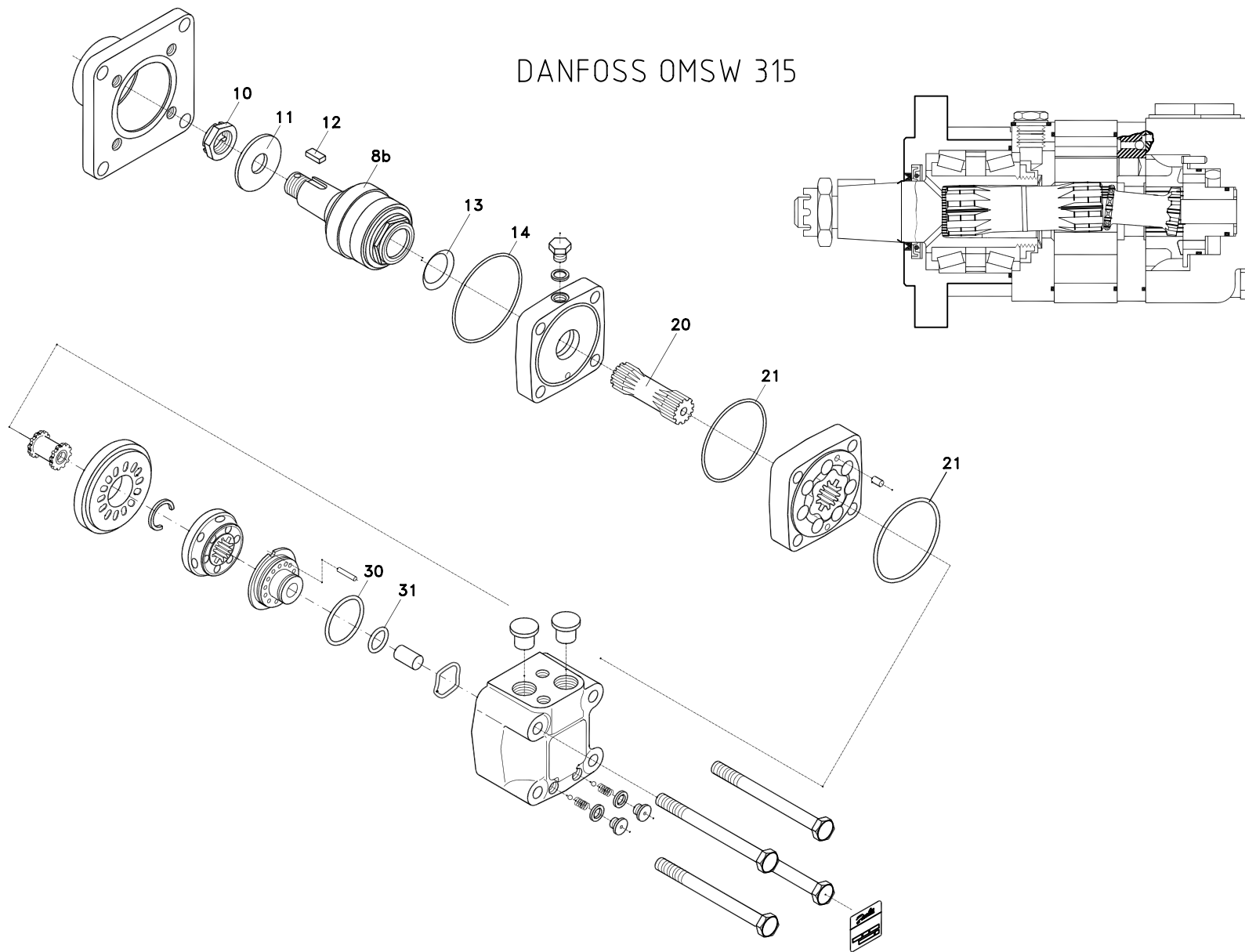
1-7.



| 1-8. | | VETOMOOTTORI OMSW 315 | | MOTOR OMSW 315 | | MOTOR OMSW 315 | | MOTOR OMSW 315 | | MOTEUR OMSW 315 | | 10+ 4WD | |
|---------|------|--------------------------|------------------------|-------------------|-----------------------------|-------------------|-----------------------|--------------------------------|--|--------------------|--|---------|--|
| Art.no. | Pos. | | | | | | | | | | | | |
| 143456P | 8b | 1 | Kartioakseli, laakerit | Konaxel med lager | Tapered shaft with bearings | Konwelle, lageren | Arbre, palier d'arbre | Incl. item 10,11,12 (ISO/R775) | | | | | |
| | 10 | 1 | Mutteri | Mutter | Nut | Mutter | Écrou à six pans | DIN 937 | | | | | |
| | 11 | 1 | Välirengas | Mellanring | Washer | Zwischenring | Pièce d'écartement | 20,5x44x4 | | | | | |
| 143457P | 12 | 1 | Kiila | Kil | Parallel key | Keilstück | Clavette | DIN 6885 | | | | | |
| 143450P | 20 | 1 | kardaaniakseli | kardanaxel | Cardan shaft | Kardanwelle | Arbre à cardan | L=111mm | | | | | |
| 143435P | A | 1 | Tiivistesarja | Tättningsats | Set of seals | Dichtungssatz | Jeu de joints | Incl. item 13,14,21,30,31 | | | | | |
| | 13 | 1 | Tiiviste rengas | Tätning | Seal ring | Packung | Bague de garniture | | | | | | |
| | 14 | 1 | O-rengas | O-ring | O-ring | O-ring | O-ring | 70x2 NBR ISO 1629 | | | | | |
| | 21 | 2 | O-rengas | O-ring | O-ring | O-ring | O-ring | 82,5x2 NBR ISO R 1629 | | | | | |
| | 30 | 1 | O-rengas | O-ring | O-ring | O-ring | O-ring | 45x2 NBR ISO R 1629 | | | | | |
| | 31 | 1 | O-rengas | O-ring | O-ring | O-ring | O-ring | 24x2 NBR ISO R 1629 | | | | | |

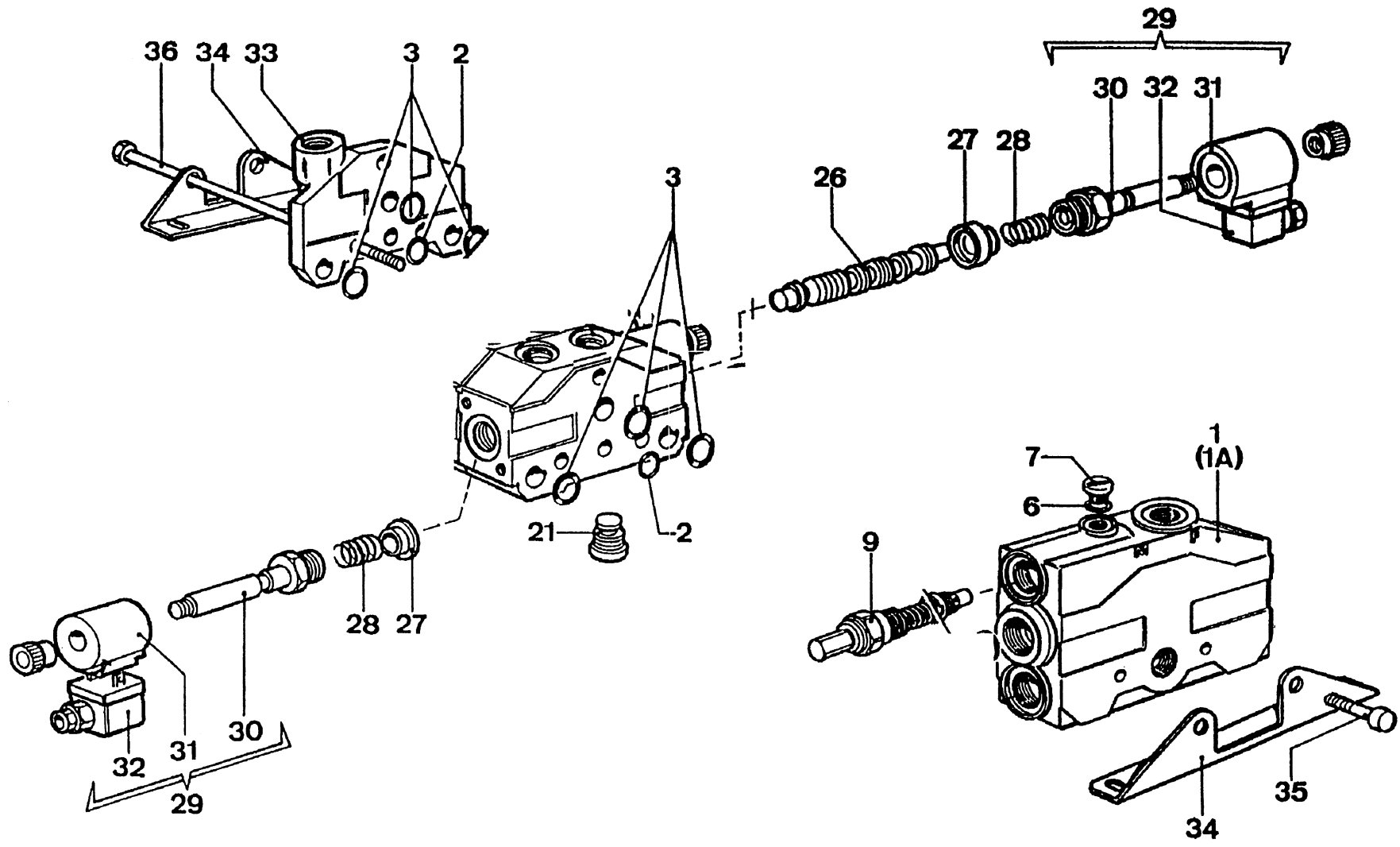
1-8.

DANFOSS OMSW 315



| 1-9. | | ON-/OFF Venttiili | ON-/OFF Ventil | ON-/OFF Ventil | ON-/OFF Ventil | Distributeur ON / OFF | HDS 15 | |
|---------|------|-------------------|-------------------------|-------------------------|------------------|------------------------|------------------------------------|---------------------------|
| Art.no. | Pos. | | | | | | | |
| 132761P | 1 | 1 | Tulolohko | Tryckblock | Block, input | block | Bloc d'admission | HDS15 T03 |
| 132768P | 2 | 2 | Tiiv. Sarja | Packningssats | Seal kit | Dichtungssatz | Jeu de joints | Inc. 2,3,12,30 |
| 132768P | 3 | | Tiiv. Sarja | Packningssats | Seal kit | Dichtungssatz | Jeu de joints | Inc. 2,3,12,30 |
| 133665P | 6,7 | 1 | Kuusiokolotulppa | Propp R | Plug | Pfropfen | Bouchon | 02602 R 1/8" |
| 132767P | 9 | 1 | Paineenrajitusventtiili | Tryckbegränsningsventil | Relief valve | Druckbegrenzungsventil | Valve de limitation de la pression | 95-210 bar, 1350-3000 PSI |
| 132763P | 21 | 1 | Sähkölohko | Tilläggsblock | Extra block | Zusatzblock | Bloc opérationnel | HDS 15-A173-L100 |
| 132791P | 26 | 1 | Lohkon kara | Spindel | Spool valve | Spindel | Broche de bloc | |
| 132792P | 27 | 2 | Jousen vaste | Fjäderanslag | Spring holder | Anschlagstück, Feder | Butée de ressort | |
| 132751P | 28 | 2 | Jousi | Fjäder | Spring | Feder | Ressort | |
| 132752P | 30 | 2 | Kelaputki | Spolrör | Solenoid valve | Spulachse | Axe de solénoïde | |
| 132753P | 31 | 2 | Sähkökela | Spole | Solenoid | Spule | Solénoïde | |
| 135579P | 32 | 2 | Hirsman-pistoke | Hirsman-kontakt | Hirsman-plug | Hirsman-Stecker | Fiche Hirsman | DIN 43650 |
| 132762P | 33 | 1 | Paluulohko | Returblock | Return block | Rücklaufblock | Bloc de retour | HDS 15-P13 |
| 132759P | 34 | 2 | Kiinnitysalka | Fäste | Assembly bracket | Befestigungsfuß | Barre de fixation | |
| 115101P | 35 | 1 | Kuusiokoloruuvi | Sexkantskruv | Bolt | Sechskantschraube | Vis à six pans | M8x14 |

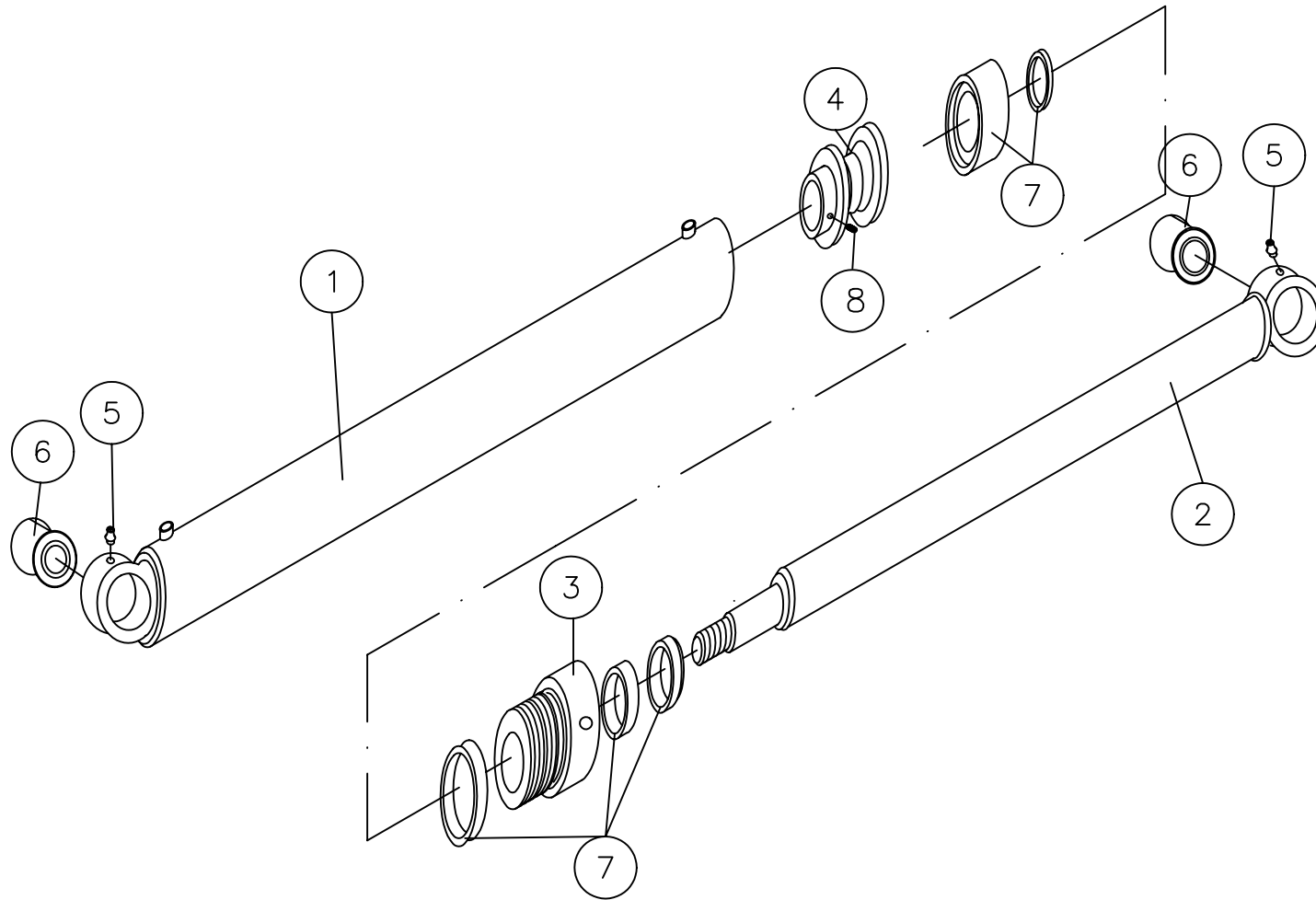
1.9.



| 1-10. | | | Sylinteri | Cylinder | Cylinder | Zylinder | Vérin | 403500 |
|---------|------|---|------------------|---------------|---------------|-------------------|-----------------------------|--------------|
| Art.no. | Pos. | | | | | | | |
| 403511P | 1 | 1 | Sylinterin putki | Cylinderrör | Cylinder | Zylinderrohr | Chemise du vérin | D80/70...260 |
| 401520P | 2 | 1 | Männänvarsi | Kolvstång | Spindle | Zylinderstange | Barre du vérin | D45...288 |
| 403505P | 3 | 1 | Päätymuhvi | Cylindergavel | End cap | Endmuffe | Manchon terminal | D80/45...43 |
| 403503P | 4 | 1 | Mäntä | Kolv | Piston | Kolben | Piston | D70...45 |
| 142680P | 5 | 2 | Rasvanippa | Smörjnippel | Grease nipple | Fettnippel | Graisseur | M8 |
| 137280P | 6 | 2 | Nivel-laakeri | Länklager | Bearing | Gelenlager | Roulement de l'articulation | GE 35 DO |
| 143600P | 7 | 1 | Tiivistesarja | Packningssats | Seal kit | Dichtungssatz | Jeu de joints | D70/45 |
| 118130P | 8 | 1 | Pidätinruuvi | Stoppskruv | Grup screw | Feststellschraube | Vis d'arrêt | M6x8 |

| 1-10. | | | Vetorullan sylinteri | Robbsoncylinder | Ropson cylinder | Treibrollen-zylinder | Vérin | 850450 |
|---------|------|---|----------------------|-------------------|-----------------|----------------------|-----------------------------|--------------|
| Art.no. | Pos. | | | | | | | |
| 850451P | 1 | 1 | Sylinterin putki | Cylinderrör | Cylinder tube | Zylindertubus | Chemise du vérin | D80/70...160 |
| 850452P | 2 | 1 | Sylinterin varsi | Kolvstång | Cylinder handle | Zylinderschaft | Barre du vérin | D35...200 |
| 403504P | 3 | 1 | Päätymuhvi | Cylindergavel | End cap | Endmuffe | Manchon terminal | D80/35...43 |
| 445040P | 4 | 1 | Mäntä | Kolv | Piston | Kolben | Piston | D70...45 |
| 142680P | 5 | 2 | Rasvanippa | Smörjnippel | Grease nipple | Fettnippel | Graisseur | M8 |
| 137280P | 6 | 2 | Nivel-laakeri | Länklager | Bearing | Gelenlager | Roulement de l'articulation | GE 35 DO |
| 143640P | 7 | 1 | Tiivistesarja | Packningssats | Seal kit | Dichtungssatz | Jeu de joints | D70/35 |
| 118130P | 8 | 1 | Pidätinruuvi | Stoppskruv | Grup screw | Feststellschraube | Vis d'arrêt | M6x8 |
| 850453P | 9 | 1 | Rajoitin holkki | Begränsningsholck | Guard liner | Abstandsbuchse | Butée | D50/35...34 |

1-10.

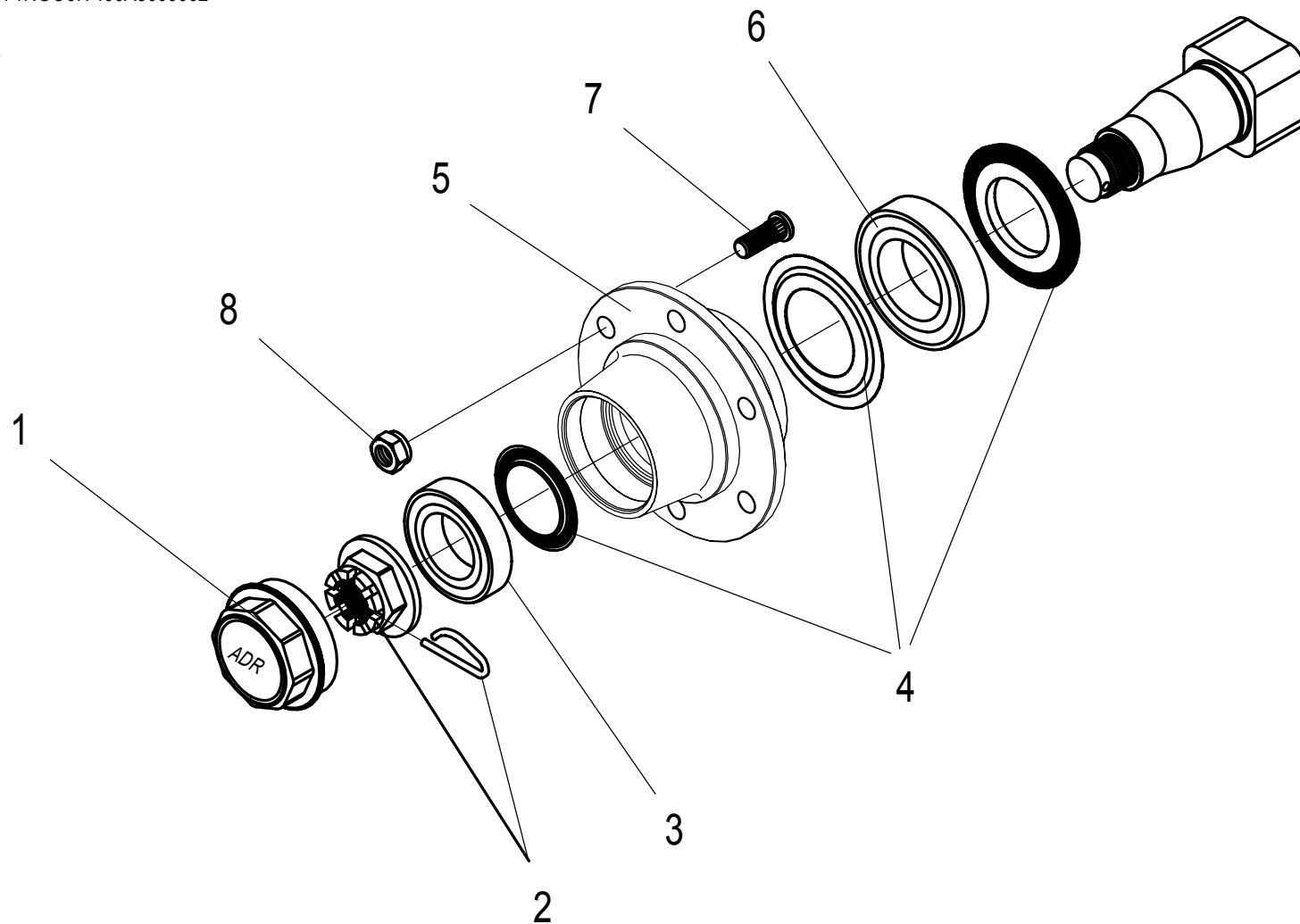


| 11A | | PYÖRÄN NAPA | HJULNAV | WHEEL HUB | RADNABE | MOYEU DE ROUE | D127462P |
|----------------|-------------|-------------------------|------------------------|-----------------------------|-----------------------|---------------------------------|----------------|
| Art.no. | Pos. | | | | | | |
| 137262P | 1 | 1 Rasvakuppi | Navkopp | Dust cap | Fettbuchse | Boîte à graisse | 912T90 |
| DRDF3960 | 2 | 1 Kruunumutteri + Sokka | Kronmutter + Saxsprint | Castellated nut + Split pin | Kronenmutter + Splint | Écrou crénelé + Goupille fendue | 9RDF3960 |
| 137261P | 3 | 1 Kuulalaakeri | Lager | Bearing | Kegelrollenlager | Roulement à billes | 902CC32210 |
| D9RNNA | 4 | 1 Suojalevyt | Lagerskydds | Guard plates | Schutzplattes | Platines de protection | 9RNNA |
| 137577P | 5 | 1 Pyörän napa | Hjulnav | Hub | Radnabe | Moyeu de roue | 61L06090120150 |
| 137550P | 6 | 1 Kuulalaakeri | Lager | Bearing | Kegelrollenlager | Roulement à billes | 902CC30213 |
| 120104P | 7 | 6 Pyörän pultti | Hjulfult | Wheel bolt | Reifenbolzen | Boulon de roue | 903C18L1 |
| 120105P | 7 | 6 Pyörän mutteri | Hjulfutter | Wheel nut | Mutter | Écrou de roue | 903D18GER |
| | | Käytössä alkaen 01-2006 | Från och med 01-2006 | Beginning from 01-2006 | Beginnend 01-2006 | A partir du 01-2006 | |

11A

127462P PYÖRÄN NAPA
S71NGO6IY400A3000002

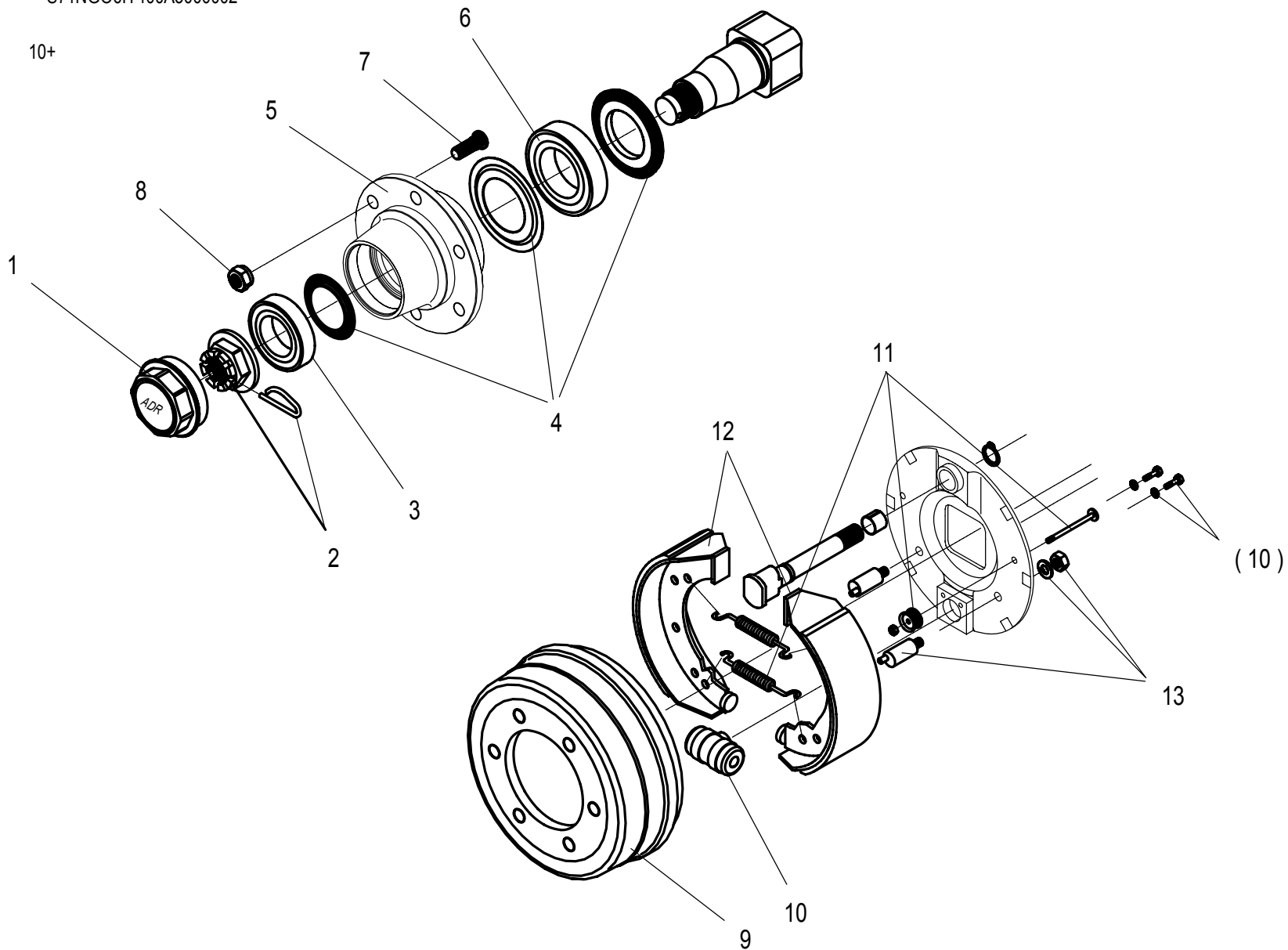
10+



| 12A | PYÖRÄN NAPA JARRUIN | | HJULNAV MED BROMS | WHEEL HUB WITH BRAKES | RADNABE MIT BREMSE | MOYEU AVEC FREIN | D127830P |
|-----------|---------------------|---------------------------|-----------------------|-----------------------------|-------------------------|---------------------------------|----------------|
| Art.no. | Pos. | | | | | | |
| 137262P | 1 | 1 Rasvakuppi | Navkopp | Dust cap | Fettbuchse | Boîte à graisse | 912T90 |
| D9RDF3960 | 2 | 1 Kruunumutteri + Sokka | Kronmutter+ Saxsprint | Castellated nut + Split pin | Kronenmutter + Splint | Écrou crénelé + Goupille fendue | 9RDF3960 |
| 137261P | 3 | 1 Kuulalaakeri | Lager | Bearing | Kegelrollenlager | Roulement à billes | 902CC32210 |
| D9RNNA | 4 | 1 Suojalevyt sarja | Lagerskydds | Guard plates | Schutzplatte | Platine de protection | 9RNNA |
| 137577P | 5 | 1 Pyörän napa | Hjulnav | Hub | Radnabe | Moyeu de roue | 61L06090120150 |
| 137260P | 6 | 1 Kuulalaakeri | Lager | Bearing | Kegelrollenlager | Roulement à billes | 902CC30211 |
| 120106P | 7 | 6 Pyörän pultti | Hjulbult | Wheel bolt | Reifenbolzen | Boulon de roue | 903C18L1 |
| 120105P | 8 | 6 Pyörän mutteri | Hjulumutter | Wheel nut | Mutter | Écrou de roue | 903D18GER |
| 1434430P | 9 | 1 Jarrurumpu | Bromstrumma | Brake drum | Bremstrommel | Tambour de frein | 66LJ0630 |
| D9RE0054 | 10 | 1 Jarrusylinteri + Ruuvit | Bromscylinder +Bults | Brake cylinder kit | Bremscyylinder + Bolzen | Cylindre de frein + Boulon | 9RE0054 |
| D9RE0056 | 11 | 2 Jouset sarja | Fjädern | Springs kit | Federn | Ressorts | 9RE0056 |
| D9RE0052 | 12 | 2 Jarrukengät sarja | Bromsskogs | Brake shoe complete | Bremsbacke | Machoires | 9RE0052 |
| D9RE0058 | 13 | 2 Sarana sarja | Svangtapp sets | Pin kits | Angel | Charnière | 9RE0058 |
| | | Käytössä alkaen 01-2006 | Från och med 01-2006 | Beginning from 01-2006 | Beginnend 01-2006 | A partir du 01-2006 | |

12A

127830P PYÖRÄN NAPA JARRUIN
S71NGO6IY400A3000002



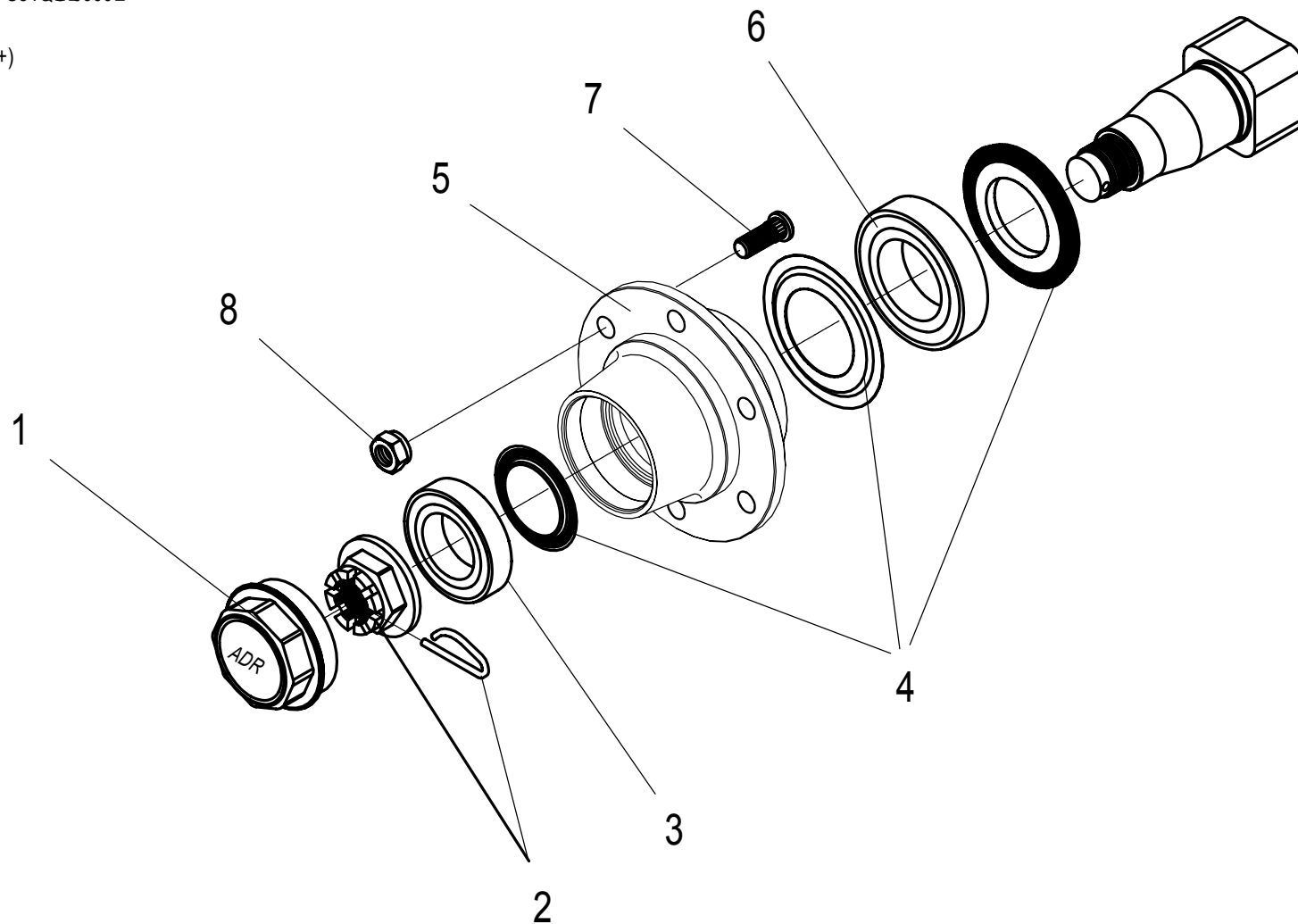
| 13A | 11A | PYÖRÄN NAPA Ø 80 | HJULNAV | WHEEL HUB | RADNABE | MOYEU DE ROUE | D127461P |
|----------------|-------------|-------------------------|------------------------|-----------------------------|-----------------------|---------------------------------|----------------|
| Art.no. | Pos. | | | | | | |
| 137263P | 1 | 1 Rasvakuppi | Navkopp | Dust cap | Fettbuchse | Boîte à graisse | 912T110 |
| DRDF4865B | 2 | 1 Kruunumutteri + Sokka | Kronmutter + Saxsprint | Castellated nut + Split pin | Kronenmutter + Splint | Écrou crénelé + Goupille fendue | 9RDF48/65B |
| 137266P | 3 | 1 Kuulalaakeri | Lager | Bearing | Kegelrollenlager | Roulement à billes | 902CC32212 |
| D9RNRC | 4 | 1 Suojalevyt | Lagerskydds | Guard plates | Schutzplatten | Platines de protection | 9RNRC ?? |
| 137585P | 5 | 1 Pyörän napa | Hjulnav | Hub | Radnabe | Moyeu de roue | 61L06110130150 |
| 137267P | 6 | 1 Kuulalaakeri | Lager | Bearing | Kegelrollenlager | Roulement à billes | 902CC30215 |
| 120104P | 7 | 6 Pyörän pultti | Hjulfult | Wheel bolt | Reifenbolzen | Boulon de roue | 903C18L1 |
| D903D18GER | 7 | 6 Pyörän mutteri | Hjulfutter | Wheel nut | Mutter | Écrou de roue | 903D18GER |
| | | Käytössä alkaen 06-2006 | Från och med 06-2006 | Beginning from 06-2006 | Beginnend 06-2006 | A partir du 06-2006 | |

13A

127462P PYÖRÄN NAPPA (Ø 80 AKSELI)

S81QC 0600

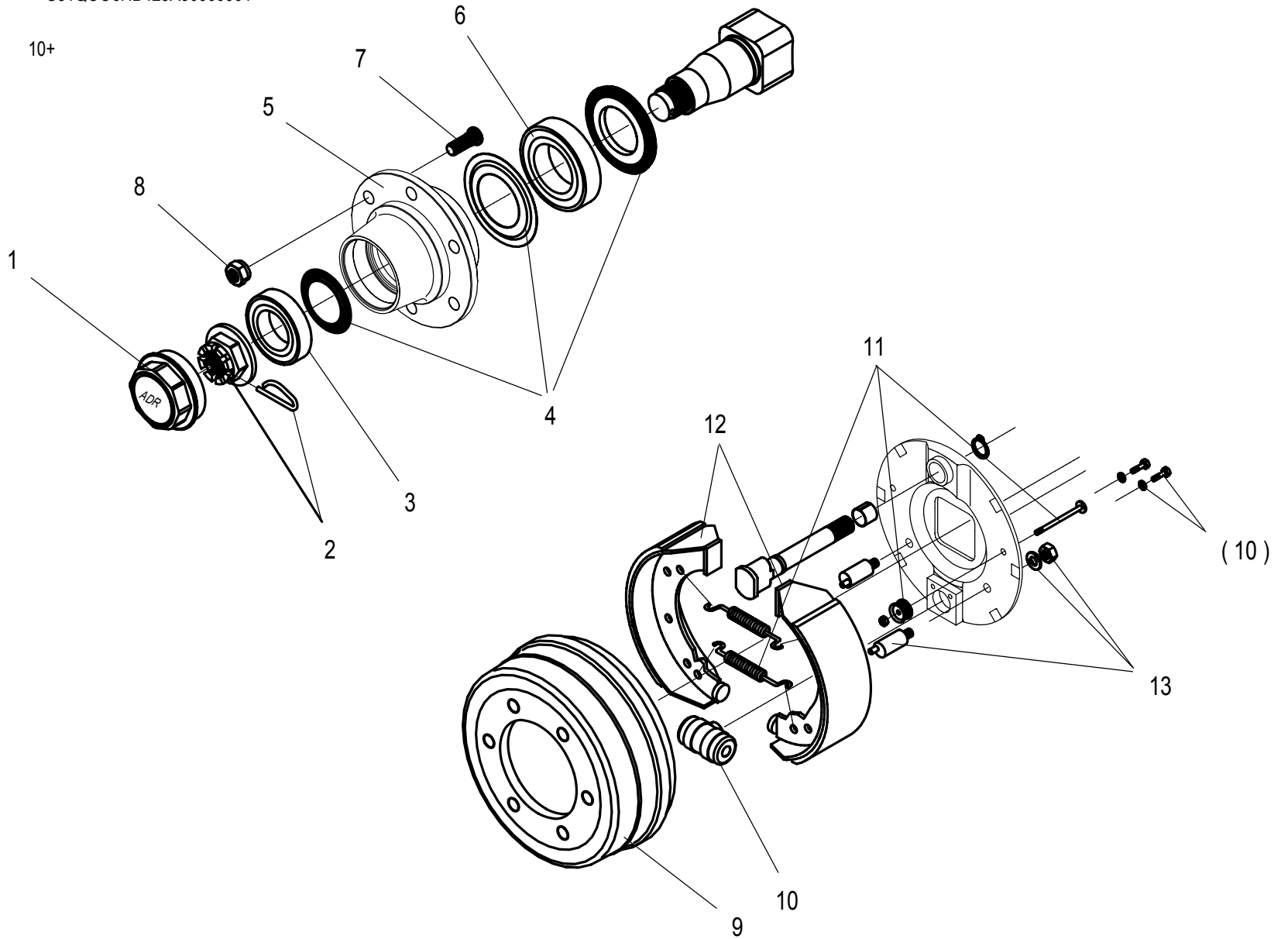
(10+)



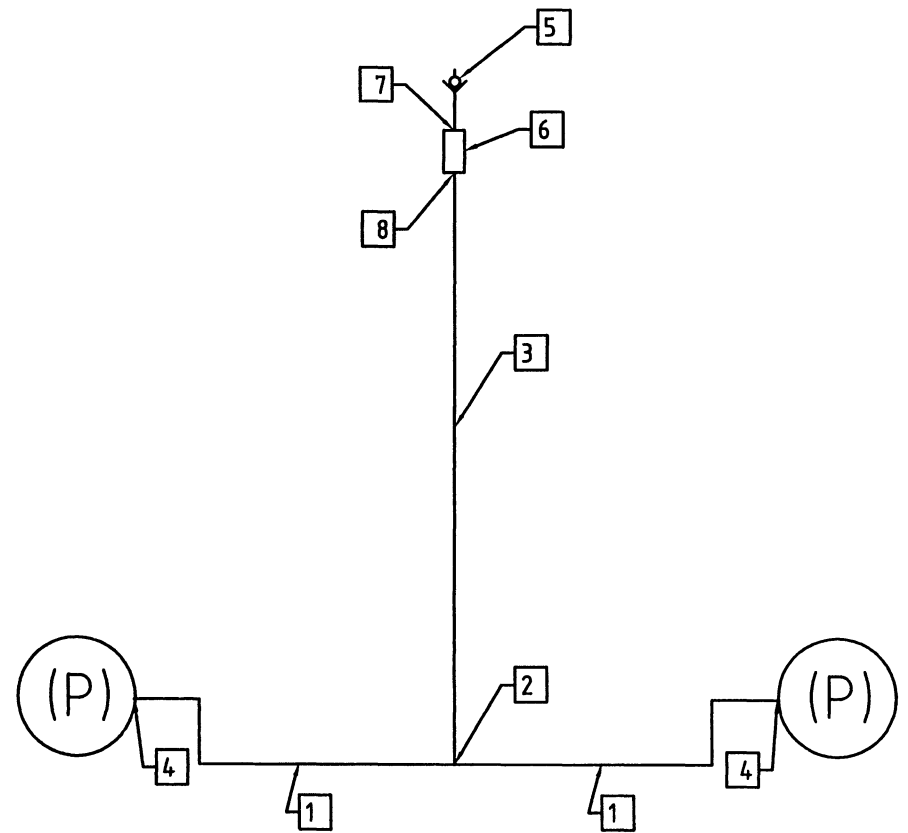
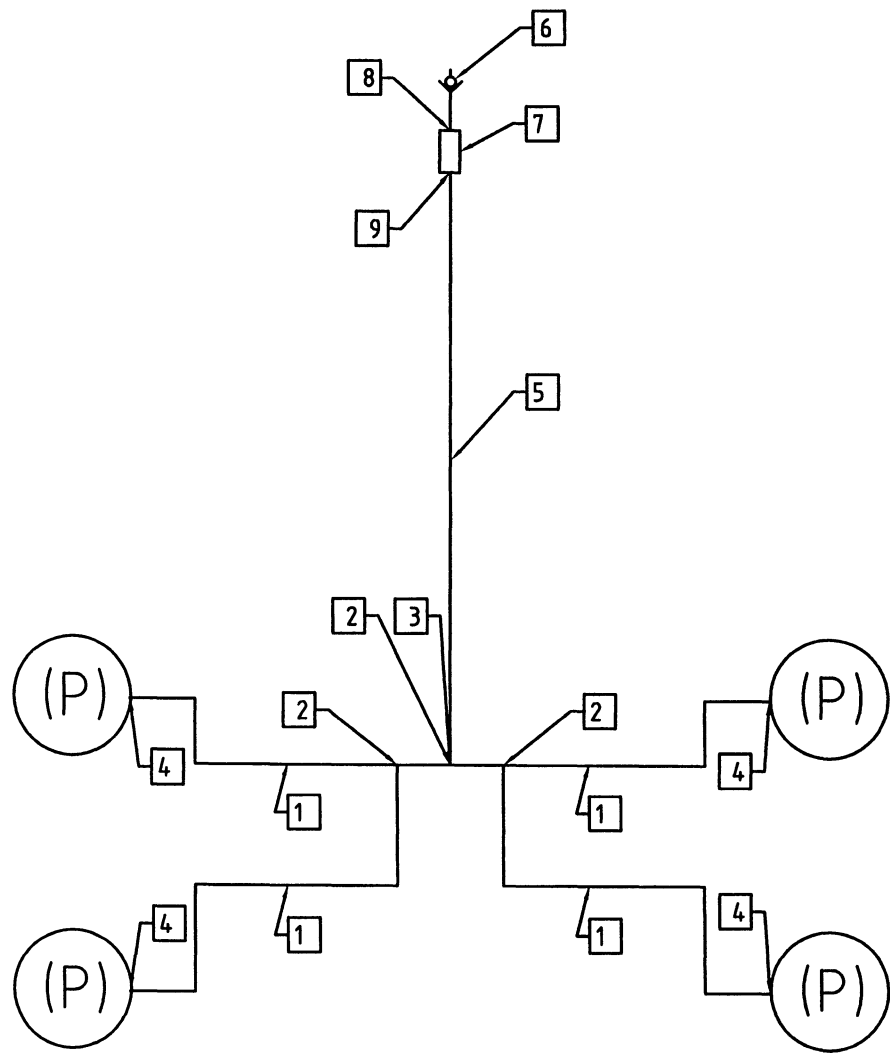
| 14A | PYÖRÄN NAPA JARRUIN | | HJULNAV MED BROMS | WHEEL HUB WITH BRAKES | RADNABE MIT BREMSE | MOYEU AVEC FREIN | D127820P |
|-------------------|---------------------|----------------------------------|-----------------------|-----------------------------|-------------------------|---------------------------------|----------------|
| Art.no. | Pos. | | | | | | |
| 143410P | 1 | 1 Rasvakuppi | Navkopp | Dust cap | Fettbuchse | Boîte à graisse | 912T100 |
| D9RDF4865B | 2 | 1 Kruunumutteri + Sokka | Kronmutter+ Saxsprint | Castellated nut + Split pin | Kronenmutter + Splint | Écrou crénelé + Goupille fendue | 9RDF4865B |
| 137269P | 3 | 1 Kuulalaakeri | Lager | Bearing | Kegelrollenlager | Roulement à billes | 902CC32211 |
| D9RNQC | 4 | 1 Suojalevyt sarja | Lagerskydds | Guard plates | Schutzplatte | Platine de protection | 9RNQC |
| 137588P | 5 | 1 Pyörän napa | Hjulnav | Hub | Radnabe | Moyeu de roue | 61L06100125150 |
| 137268P | 6 | 1 Kuulalaakeri | Lager | Bearing | Kegelrollenlager | Roulement à billes | 902CC30214 |
| 120106P | 7 | 6 Pyörän pultti | Hjulbult | Wheel bolt | Reifenbolzen | Boulon de roue | 903C18L1 |
| 120105P | 8 | 6 Pyörän mutteri | Hjulmutter | Wheel nut | Mutter | Écrou de roue | 903D18GER |
| 1434430P | 9 | 1 Jarrurumpu | Bromstrumma | Brake drum | Bremstrommel | Tambour de frein | 66LJ0630 |
| D9RE0054 | 10 | 1 Jarrusylinteri + Ruuvit | Bromscyylinder +Bults | Brake cylinder kit | Bremscyylinder + Bolzen | Cylindre de frein + Boulon | 9RE0054 |
| D9RE0056 | 11 | 2 Jouset sarja | Fjädern | Springs kit | Federn | Ressorts | 9RE0056 |
| D9RE0052 | 12 | 2 Jarrukengät sarja | Bromsskogs | Brake shoe complete | Bremsbacke | Machaires | 9RE0052 |
| D9RE0058 | 13 | 2 Sarana sarja | Svangtapp sets | Pin kits | Angel | Charnière | 9RE0058 |
| TARKISTA ! | | | | | | | |
| | | Käytössä alkaen 06-2006 (ARVIO) | Från och med 06-2006 | Beginning from 06-2006 | Beginnend 06-2006 | A partir du 06-2006 | |

14A

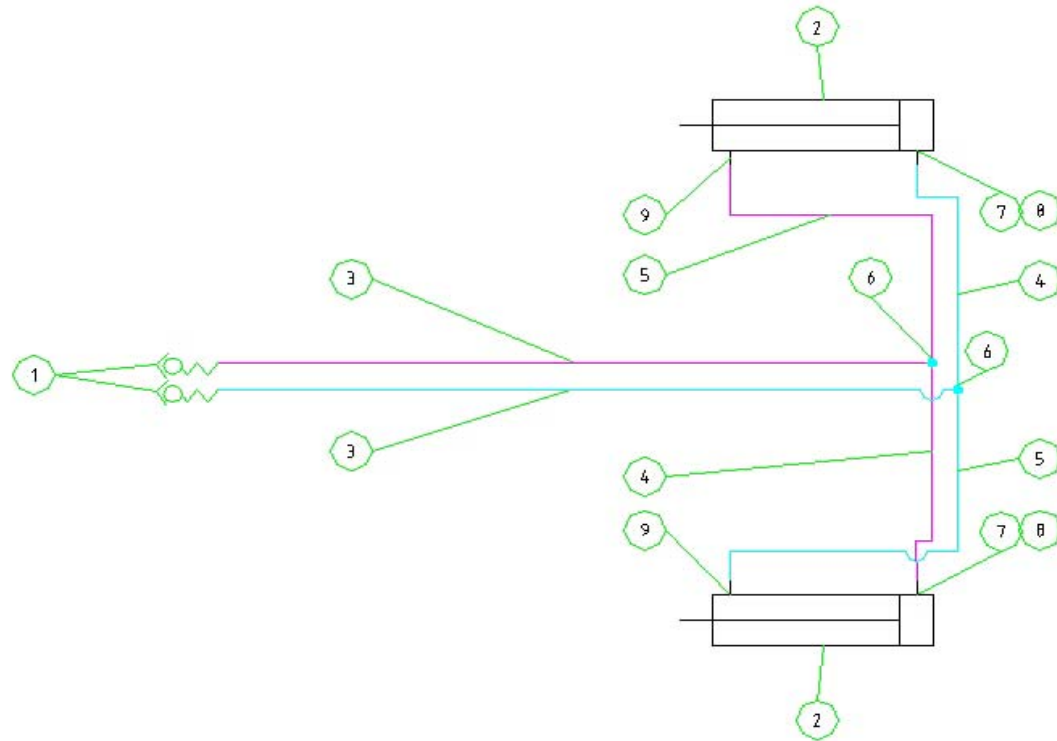
127820P PYÖRÄN NAPA JARRUIN (Ø 80 AKSELI)
S81QCO6HB425A30000001



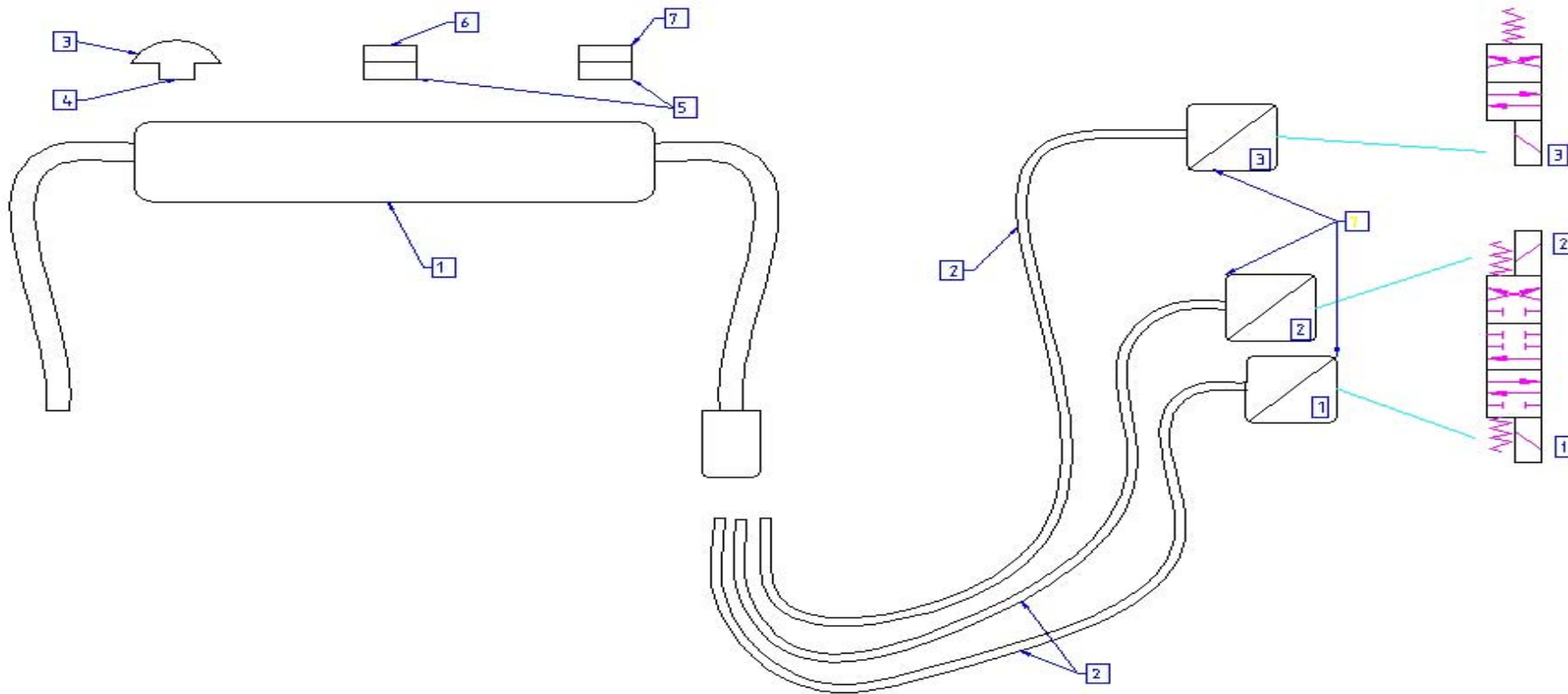
| 1-16. | | JARRUOSAT | BROMSANORDNING | BRAKING DEVICE | BREMSVORRICHTUNG | PIÈCES DE FREIN | |
|----------------|-------------|---------------------|---------------------|----------------------------|-------------------------|-------------------------|--------------------------|
| Art.no. | Pos. | Etuakseli | Framaxel | Front axle | Vorderachse | Axe avant | |
| 134237P | 1 | 2 Letku | Hyd.slang | Hose | Schlauch | Flexible | 1/4"...1850 R1/4"s x2 |
| 134705P | 2 | 1 T-nippa | T-nippel | T-nipple | T-nippel | Embout en T | 702-04 1/4" |
| 134233P | 3 | 1 Letku | Slang | Hose | Schlauch | Flexible | 1/4"...8500 R1/4"s x2 |
| 132145P | 4 | 2 Kaksoinippa | Dubbelnippel | Double connector | Doppelnippel | Embout double | 1/4" / M10x1,25 |
| 132521P | 5 | 1 Jarrupikaliitin | Snabbkopling, broms | Hydraulic coupling, brakes | Schnellkupplung, bremse | Raccord rapide | VFO/38F 3/8 |
| 133507P | 6 | 1 Suojaventtiili | Skyddventil | Shelter valve | Schutzventil | Soupape | VEM-N-38-20-120 (120bar) |
| 872899P | 7 | 1 Kaksoisnippa | Dubbelnippel | Double connector | Doppelnippel | Embout double | 201-06 3/8" D=1mm |
| 134540P | 8 | 1 Kaksoisnippa | Dubbelnippel | Double connector | Doppelnippel | Embout double | 202-04-06 1/4"-3/8" |
| 1-16. | | JARRUOSAT | BROMSANORDNING | BRAKING DEVICE | BREMSVORRICHTUNG | PIÈCES DE FREIN | |
| Art.no. | Pos. | Etu- ja Taka-akseli | Fram- / bakaxel | Front / rear axle | Vorder- / hinterachse | Axe avant / Axe arrière | |
| 134236P | 1 | 4 Letku | Hyd.slang | Hose | Schlauch | Flexible | 1/4"...1850 R1/4"s x2 |
| 134705P | 2 | 3 T-nippa | T-nippel | T-nipple | T-nippel | Embout en T | 702-04 1/4" |
| 134702P | 3 | 2 Jatkonippa | Nippel | Nipple | Nippel | Embout | 707-06 3/8" |
| 132382P | 4 | 4 Banjoliitin | Nippel | Nipple | Nippel | Embout | 5010610L 6L-M10X1 |
| 134233P | 5 | 1 Letku | Slang | Hose | Schlauch | Flexible | 1/4"...8500 R1/4"s x2 |
| 132521P | 6 | 1 Jarrupikaliitin | Snabbkopling, broms | Hydraulic coupling, brakes | Schnellkupplung, bremse | Raccord rapide | VFO/38F 3/8 |
| 133507P | 7 | 1 Suojaventtiili | Skyddventil | Shelter valve | Schutzventil | Soupape | VEM-N-38-20-120 (120bar) |
| 872899P | 7 | 1 Kaksoisnippa | Dubbelnippel | Double connector | Doppelnippel | Embout double | 201-06 3/8" D=1mm |
| 134540P | 9 | 1 Kaksoisnippa | Dubbelnippel | Double connector | Doppelnippel | Embout double | 202-04-06 1/4"-3/8" |



| 1-17. | | AISAN OHJAUS | | DRAGSBOM KONTROLL | | HYDRAULIC DRAFT BOOM | | HYDRAULIC ZUGBAUM | | TIMON ARTICULÉ | |
|---------|------|--------------|-----------------|-------------------|--|----------------------|--|-------------------|--|-------------------|-------------------------|
| Art.no. | Pos. | | | | | | | | | | |
| 133230P | 1 | 2 | Pikalitiin | Snabbkoppling | | Hydraulic coupling | | Schnellkupplung | | Raccord rapide | NV-08M |
| 403500P | 2 | 2 | Sylinteri | Cylinder | | Cylinder | | Zylinder | | Vérin | |
| 134730P | 3 | 2 | Letku | Slang | | Hose | | Schlauch | | Flexible | 3/8"...2600p12/1/2"u |
| 134728P | 4 | 2 | Letku | Slang | | Hose | | Schlauch | | Flexible | 3/8"...400k45 3/8"s/p12 |
| 134729P | 5 | 2 | Letku | Slang | | Hose | | Schlauch | | Flexible | 3/8"...500p12/p12 |
| 132940P | 6 | 2 | T-yhde | T-nippel | | T-nibble | | T-nippel | | Embout en T | 30012L |
| 133300P | 7 | 2 | Cu-usit | Cu-usit | | Cu-usit | | Cu-usit | | Joint Usit | 217-06 |
| 133220P | 8 | 2 | Kaksoisnippa | Nippel | | Duppel nibble | | Doppelnippel | | Embout double | 201-06 |
| 132920P | 9 | 2 | Kulmaliitin 12l | Vinkelanslutning | | L-nibble | | L-nippel | | Raccord angulaire | 2171206L |

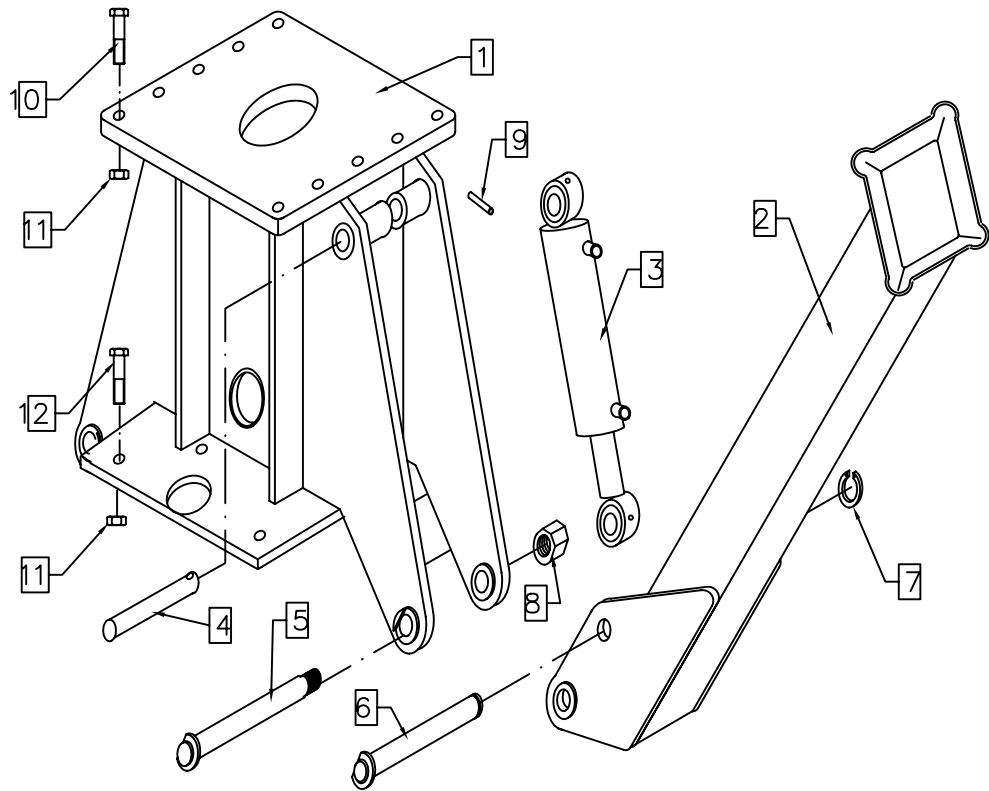


| 1-18. | SÄHKÖSARJA | ELEKTRISK SERIE | ELECTRIC SERIES | ELEKTRISCH SERIE | ÉLECTRIQUE SÉRIE | | | |
|---------|------------|-----------------|-----------------|------------------|------------------|------------------|----------------------------|----------------|
| Art.no. | Pos. | | | | | | | |
| 135585P | 1 | 1 | Sähkösarja | Elektrisk serie | Electric series | Elektrisch serie | Électrique série | JSP9071 |
| 135601P | 2 | 3 | Kaapeli | Kabel | Cable | Kabel | Câble | 452P30011SOCHL |
| 135596P | 3 | 1 | Sienipainike | Tryckknapp | Push button | Drucktaste | Poignée | C23ED01 |
| 135597P | 4 | 1 | Kosketin | Kontakt | Contact | Kontakt | Fiche | ZA5 |
| 135598P | 5 | 2 | Kosketin | Kontakt | Contact | Kontakt | Fiche | ZB5 |
| 135599P | 6 | 1 | Väännin | Koppling | Cluctf connector | Kuppler | Commutateur | C21KG52 |
| 135601P | 7 | 1 | Väännin | Koppling | Cluctf connector | Kuppler | Commutateur | C21MC03 |
| 135579P | 8 | 3 | Hirsman-pistoke | Hirsman-kontakt | Hirsman-plug | Hirsman-Stecker | Cheville de l'articulation | 7069215 |
| 136193P | 1 | 1 | Sulake | Säkring | Fuse | Schmelzleiter | Fusible | 15A Din 72581 |

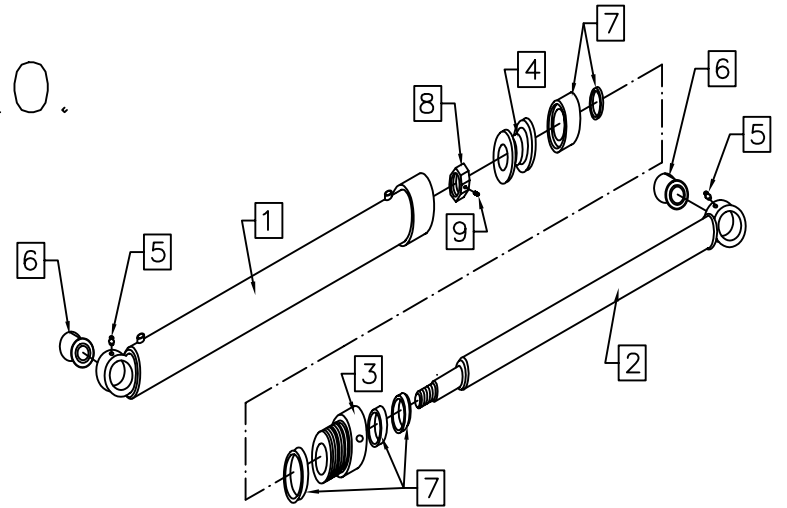


| 1-19. | | Lisävaruste | | Tilläggsutrustning | | Extra equipment | | Zubehör | | Extra equipment | | 80000P | |
|----------------|------|-------------|-----------------------|--------------------|------------------|-------------------|-----------------------------|----------|--|-----------------|--|---------------------------|----------|
| Art.no. | Pos. | | | | | | | | | | | | |
| D850995P | 1 | 1 | Pilari | Pelare | Post | Pfalh | Colonne | | | | | | |
| D850985P | 2 | 2 | Tukijalka | Stödben | Support leg | Stutfub | Béquille | | | | | | |
| 850990P | 3 | 2 | Hydraulisylinteri | Cylinder | Cylinder | Zylinder | Vérin | | | | | D80/45 | 508+271 |
| 850981P | 4 | 2 | Sylinterin tappi, ylä | Cylinder tapp | Pin, cylinder | Zappen | Cheville du haut du vérin | | | | | D35... | 245 |
| 850982P | 5 | 2 | Nivelitappi | Tapp | Pin | Zappen | Cheville de l'articulation | | | | | D45... | 283,5 |
| 850980P | 6 | 2 | Tappi | Tapp | Pin | Zapfen | Cheville | | | | | D35... | 170 |
| 123080P | 7 | 2 | Lukkorengas | Läsring | Circlip | Haltering | Frein d'axe | | | | | D32 | |
| 121410P | 8 | 2 | Kuusiomutteri | Sexkantmutter | Nut | Sechskantmutter | Écrou à six pans | | | | | M 33 Nyloc | |
| 122560P | 9 | 2 | Jousisokka | Fjädersprint | Roll pin | Spannhülse | Goupille à ressort | | | | | 10x50 | |
| 114132P | 10 | 10 | Kuusioruuvi | Sexkantskruv | Bolt | Sechskantschraube | Vis à six pans | | | | | M20x90 | 10.9 |
| 121250P | 11 | 18 | Kuusiomutteri | Sexkantmutter | Nut | Sechskantmutter | Écrou à six pans | | | | | M20 Nyloc | |
| a0l2a1014 | 12 | 8 | Kuusioruuvi | Sexkantskruv | Bolt | Sechskantschraube | Vis à six pans | | | | | M20x70 | 8.8 |
| 1-20. | | Sylinteri | | Cylinder | | Cylinder | | Zylinder | | Vérin | | 850990 | |
| Art.no. | Pos. | | | | | | | | | | | | |
| 850991P | 1 | 1 | Sylinterin putki | Cylinderrör | Cylinder tube | Zylindertubus | Chemise du vérin | | | | | D90/80... | 386 |
| 850992P | 2 | 1 | Sylinterin varsi | Kolvstång | Sprindle | Zylinderstange | Barre du vérin | | | | | D45... | 413 |
| 401407P | 3 | 1 | Päätymuhi | Cylindergavel | End cap | Endmuffe | Manchon terminal | | | | | D90... | 66 |
| 401406P | 4 | 1 | Mäntä | Kolv | Piston | Kolben | Piston | | | | | D80... | 45 |
| 142680P | 5 | 2 | Rasvanippa | Smörjnippel | Grease nipple | Fettnippel | Graisseur | | | | | M8 | |
| 137280P | 6 | 2 | Nivel-laakeri | Länklager | Bearing | Gelenlager | Roulement de l'articulation | | | | | GE 35 DO | |
| 143030P | 7 | 1 | Tiivistesarja | Packningssats | Seal kit | Dichtungssatz | Jeu de joints | | | | | D80/45 | |
| 362600P | 8 | 1 | Kuusiomutteri | Sexkantmutter | Nut | Sechskantmutter | Écrou à six pans | | | | | M30x2 | |
| 118070P | 9 | 1 | Pidätinruuvi | Stoppkskrv | Grup screw | Gewindestift | Vis d'arrêt | | | | | M10x12 | 914 zn |
| 1-21. | | Letkut | | Slangar | | Hoses | | Schlauch | | Flexible | | | |
| Art.no. | Pos. | | | | | | | | | | | | |
| 850990P | 1 | 2 | Hydraulisylinteri | Cylinder | Cylinder | Zylinder | Vérin | | | | | D80/45 | 508+271 |
| 133508P | 2 | 2 | Lukkoventiili | Läsventil | Lockvalve | Schließventil | Verrou Soupape | | | | | 05.52.11-10-02-01 | |
| 132820P | 3 | 2 | Perusliitin | Adapter | Connector | Anschlußstück | Raccord | | | | | 1151206L | 12L-3/8 |
| 872906P | 4 | 2 | Hydrauli putki | Hydraulrör | Hydraulic pipe | Hydraulikrohr | Tuyaux | | | | | | |
| 132920P | 5 | 2 | Kulmaliitin | Vinkelanslutning | Elbow | Winkelanschluß | Raccord angulaire | | | | | 2171206L | 12L-3/8" |
| 132860P | 6 | 2 | Putkipääte | Ädapter | Hose end 12L | Endstück 12L | Embout | | | | | 1251206L | 12L-3/8" |
| 132380P | 7 | 2 | Banjo liitin | Nippel | Nipple | Nippel | Embout | | | | | 5051206L | 12L-3/8" |
| 133056P | 8 | 2 | Banjoruuvi | Skrv | Banjo screw | Schraube | Embout | | | | | 181-06 | |
| 133220P | 9 | 4 | Kaksoisnippa | Dubbelnippel | Double connector | Doppelnippel | Embout double | | | | | 201-06 | 3/8" |
| SERVO (HDS 15) | | | | | | | | | | | | | |
| 134246P | 10 | 2 | Letku | Slang | Hose | Schlauch | Flexible | | | | | 3/8"...1100 (K45 3/8"s)x2 | 270 |
| 134247P | 11 | 2 | Letku | Slang | Hose | Schlauch | Flexible | | | | | 3/8"...900 (K45 3/8"s)x2 | 90 |

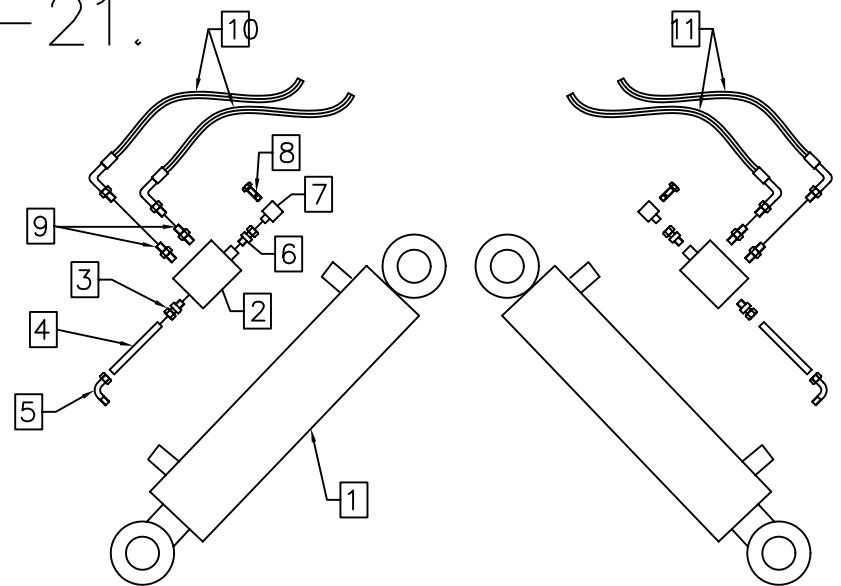
1-19.



1-20.



1-21.



| 1-22. | | TARRAT | SJÄLVHÄFTANDE ETIKETT | STICKERS | AUFKLEBER | AUTO-COLLANT | |
|---------|------|--------|-----------------------|----------|-----------|--------------|-----------------------|
| Art.no. | Pos. | | | | | | |
| 151570P | 2 | Tarra | Självhäftande etikett | Sticker | Aufkleber | Auto-collant | PATRUUNA |
| 151242P | 2 | Tarra | Självhäftande etikett | Sticker | Aufkleber | Auto-collant | 10+ |
| 151244P | 2 | Tarra | Självhäftande etikett | Sticker | Aufkleber | Auto-collant | 4WD Only for 4WD |
| 151246P | 1 | Tarra | Självhäftande etikett | Sticker | Aufkleber | Auto-collant | (44X84) |
| 151247P | 1 | Tarra | Självhäftande etikett | Sticker | Aufkleber | Auto-collant | (84X164) |
| 151443P | 1 | Tarra | Självhäftande etikett | Sticker | Aufkleber | Auto-collant | (44X84) |
| 151249P | 2 | Tarra | Självhäftande etikett | Sticker | Aufkleber | Auto-collant | (44X84) Only for 4WD |
| 151251P | 1 | Tarra | Självhäftande etikett | Sticker | Aufkleber | Auto-collant | (25x165) Only for 4WD |

PATRUUNA

VALMISTAJAN TIEDOT



Junkkari

Junkkari Oy
Pohjanmaanväylä 5
62375 YLIHÄRMÄ FINLAND
Phone 358-(0)6 - 483 5111
Fax 358-(0)6 - 484 6401
e-mail: junkkari@msk.fi
www.junkkari.fi

872808P